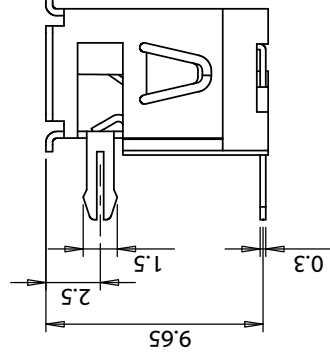
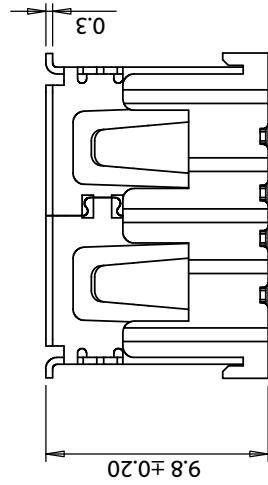
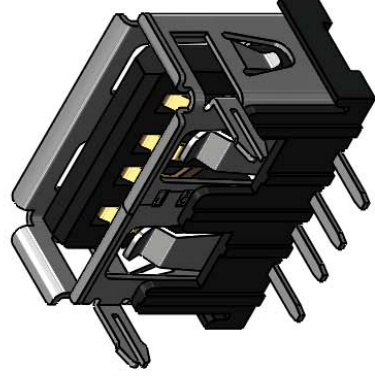
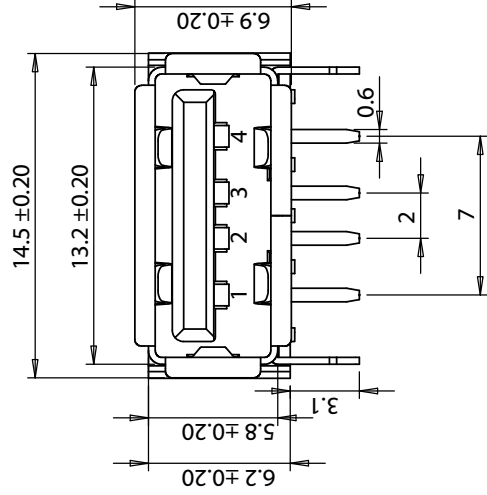




**THE DATASHEET OF**  
**54-00015**



# USB A jack



Revision:	Date:	Description:
A	09/28/2015	Initial release
A1	07/30/2018	Corrected operating temp range

Prepared:	Verified:
	Dimensions are in millimeters. Tolerances: X: $\pm 0.5$ mm XX: $\pm 0.3$ mm XXX: $\pm 0.05$ mm

Notes:
RoHS and REACH compliant
Function test: no open, no short circuit, no intermittent
Description: Connector, USB A Jack, PCB mount, 90°, nickel shell, ground terminals, black insulator, tray

Size:	Part:
A	54
Scale: 3:	

**TE**  
tel 1.5  
fax 1.5

5	4	3	2
---	---	---	---

## Materials

1. Shell, brass, nickel plated
2. Pins, brass, 5  $\mu$ " gold and tin plating
3. Insulator, PBT, black

## Electrical

Rated voltage: 30 Vdc  
Rated current: 3 A  
Dielectric strength: 1 min @ 500 Vac  
Insulation resistance: 500 M $\Omega$  @ 500 Vdc  
Contact resistance: 50 m $\Omega$  or less

## Mechanical

Insertion force: 3.5 kgf maximum  
Withdrawal force: 1.0 kgf minimum  
Durability: 1500 cycle minimum life; less than 100 m $\Omega$  contact resistance, minimum 100 M $\Omega$  insulation resistance  
Terminal strength: 0.3 kgf in any direction without damage or looseness

## Soldering

Solderability: 75% minimum coverage when terminals dipped 2 mm in 245  $\pm$ 5  $^{\circ}$ C solder bath for 3  $\pm$ 0.5 seconds  
Solder bath durability: no deformation when immersed in 255  $\pm$ 5  $^{\circ}$ C up to surface of the board for 5 seconds or less  
Solder iron durability: no deformation when exposed to 350  $\pm$ 10  $^{\circ}$ C for 3  $\pm$ 0.5 seconds

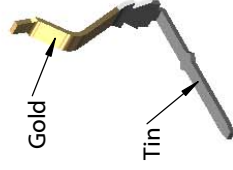
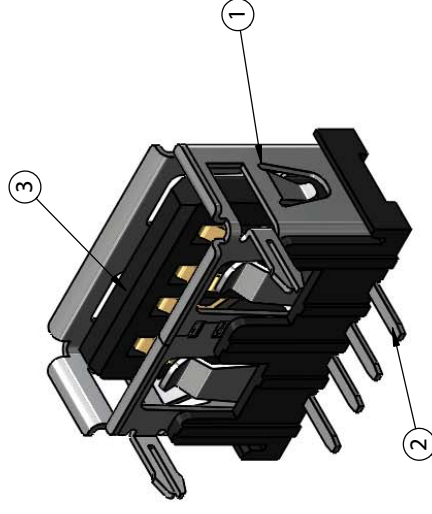
## Environmental

Cold test: -40  $\pm$ 3  $^{\circ}$ C for 48 hours without deformation  
Heat test: 85  $\pm$ 2  $^{\circ}$ C for 48 hours without deformation  
Humidity test: 40  $\pm$ 2  $^{\circ}$ C and humidity between 90 and 98 % for 48 hours without deformation

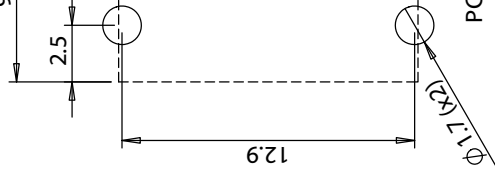
## Operating range

-40 ~ 85  $^{\circ}$ C

# USB A jack



Pin plating detail



Revision:	Date:	Description:
A	09/28/2015	Initial release
A1	07/30/2018	Corrected operating temp range

Prepared:	Notes:
Verified: Dimensions are in millimeters. Tolerances: X: $\pm$ 0.5 mm X.X: $\pm$ 0.3 mm X.XX: $\pm$ 0.05 mm	RoHS and REACH compliant Function test: no open, no short circuit, no intermittent Description: Connector, USB A Jack, PCB mount, 90 $^{\circ}$ , nickel shell, ground terminals, black insulator, tray


**TE**  
tel 1.5  
fax 1.5

Size: Part  
A 54  
Scale: 3:1

5  $\uparrow$  4 3 2

## Looking for pricing, stock, or lifecycle information?

Click below to explore more details on WIN SOURCE:

-  [View 54-00015 on WIN SOURCE](#)
-  [Tensility International Corp](#) Information

## Optimize Your Supply Chain with WIN SOURCE Solutions

-  Global Sourcing Solution
-  Obsolete Management
-  Cost Control Management
-  Shortage Management
-  Alternative Solution
-  Excess Inventory Management