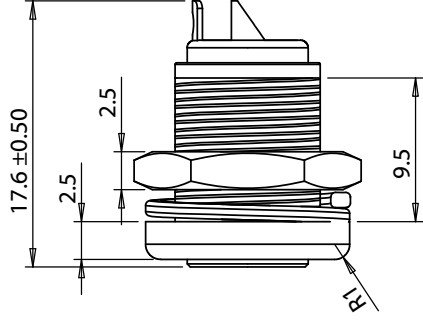
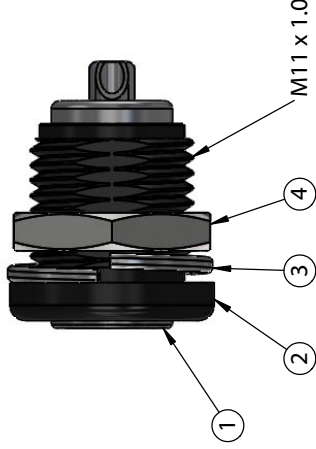
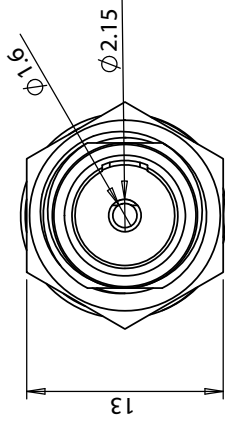
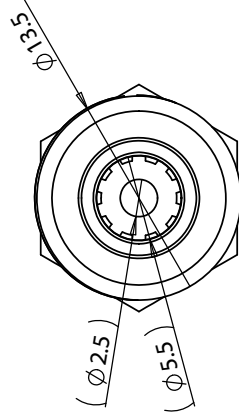
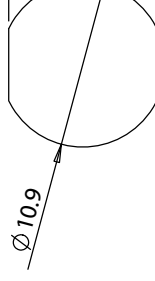




ITEM NO.	PART NUMBER	DESCRIPTION	QTY.
1	50-00543	Connector, dc jack, 5.5x2.5x17.6 mm, molding style, spring contacts, nickel plated, 105° C	1
2	24-00287	Overmold, dc jack, 13.5x14 mm, panel mount	1
3	56-00001	Hardware, washer, lock, 14x11.1x1.1 mm, SPCC, nickel plated	1
4	56-00000	Hardware, nut, hex, 13x2.5 mm, M11x1.0, brass, nickel plated	1



**Installation Details:**  
Panel thickness:  
Recommended panel thickness:



Revision:	Date:	Description:	Prepared:	Notes:
A	10/30/2018	Initial release		RoHS compliant
A1	12/13/2018	Updated overmold material		Function test: no open, no short circuit, no intermittent
			Verified:	Description:
			Dimensions are in millimeters.	Connector, dc jack, 5.5x2.5x17.6 mm, panel mount, threaded, nut and washer, 105 °C
			Tolerances:	
			X: ± 0.3 mm	
			XX: ± 0.1 mm	
			XXX: ± 0.05 mm	

**TE**  
tel 1.5  
fax 1.5

Size: Part  
A 54  
Scale: 2:1

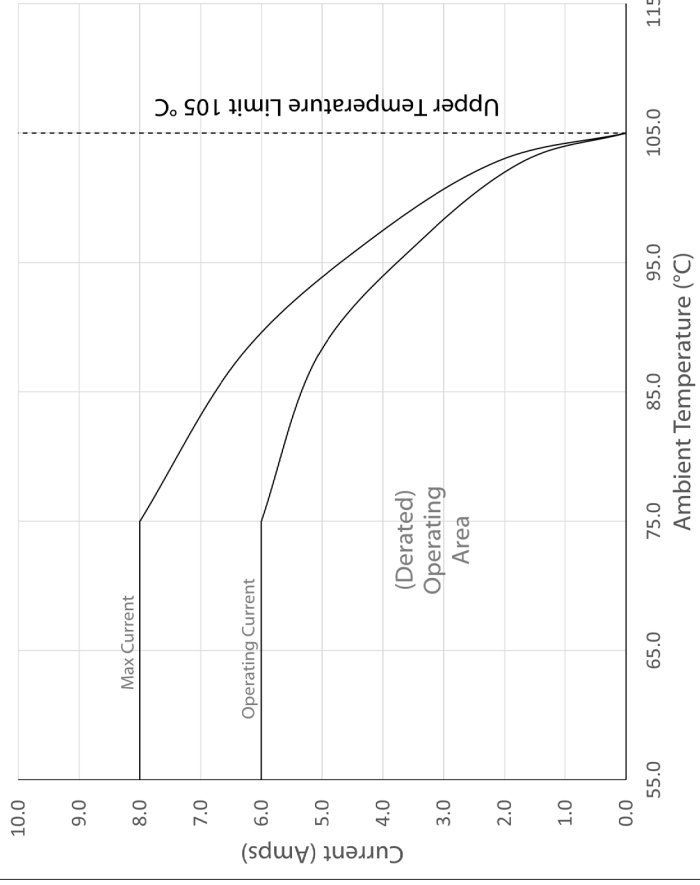
5 4 3 2

**Ratings**

Maximum Operating Voltage: 48 Vdc  
 Maximum Operating Current: 6.0 A

**Operating Temperature Range**

-25° to 105 °C, relative humidity of 85% or less

**Connector Current Capacity**

Testing based on IEC 60512-5-2. Max current curve generated with isolated test article under controlled environmental conditions and does not take into account external factors such as housings, mating cables, or other circuitry. Operating current curve (derated by 20% of maximum values) accounts for external factors, and manufacturing variation.

Revision:	Date:	Description:
A	10/30/2018	Initial release
A1	12/13/2018	Updated overmold material

Prepared:

Verified:

Dimensions are in millimeters.  
 Tolerances:  
 X: ± 0.3 mm  
 XX: ± 0.1 mm  
 XXX: ± 0.05 mm

Notes:

RoHS compliant

Function test: no open, no short circuit, no intermittent

Description:

Connector, dc jack, 5.5x2.5xL17.6 mm, panel mount, threaded, nut and washer, 105 °C

**TE**tel 1.5  
fax 1.5Size: Part  
A 54

Scale: 2:

4

5



↑

3

2

## Looking for pricing, stock, or lifecycle information?

Click below to explore more details on WIN SOURCE:

-  [View 54-00152 on WIN SOURCE](#)
-  [Tensility International Corp](#) Information

## Optimize Your Supply Chain with WIN SOURCE Solutions

-  Global Sourcing Solution
-  Obsolete Management
-  Cost Control Management
-  Shortage Management
-  Alternative Solution
-  Excess Inventory Management