



THE DATASHEET OF
54-00035



Materials

1. Brass, nickel plating, 1μ minimum
2. Nylon PA46, black

Electrical requirements

Dielectric strength: 1 min @ 250 Vac
 Insulation resistance: 100 MΩ @ 500 Vdc
 Contact resistance: 50 mΩ or less

Mechanical requirements

Insertion force: 0.3 ~ 4 kgf
 Withdrawal force: 0.3 ~ 4 kgf
 Durability: 5000 mating cycles while maintaining insertion force of 0.3 ~ 4 kg; withdrawal force of 0.3 ~ 4 kgf; contact resistance of 50mΩ or less.

Environmental tests

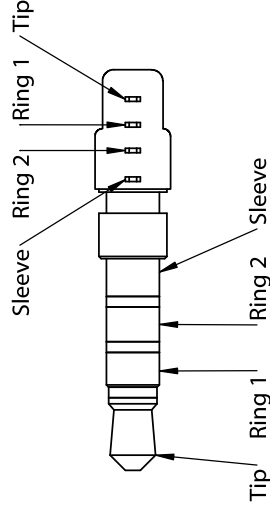
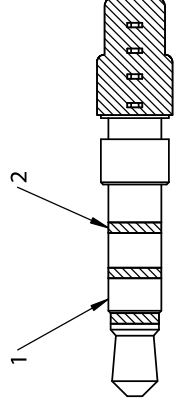
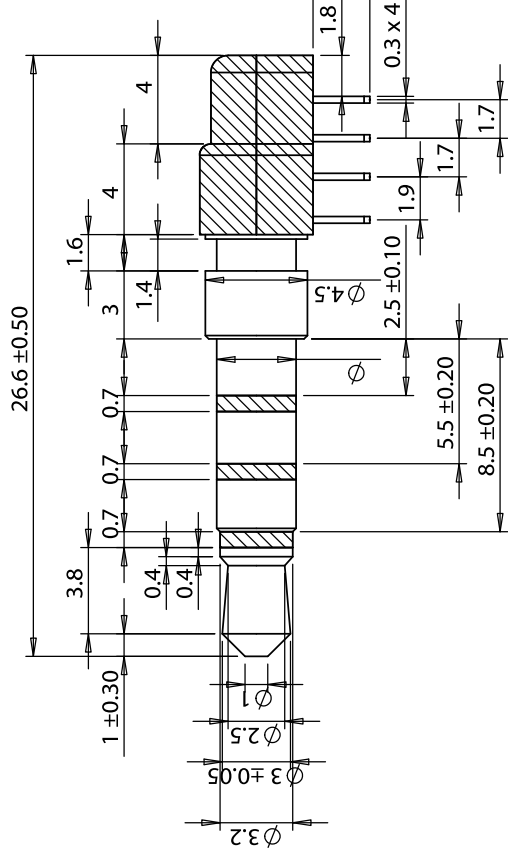
Damp test: 40 °C, RH 90-100% for 96 hrs. Cool to ambient and recover for 2 hours. Maintain dielectric strength of 500 Vac for 1 min, insulation resistance of 50 MΩ @ 500 Vdc minimum.

Dry test: 70 °C, RH 70-85% for 96 hrs. Cool to ambient and recover for 2 hours. Maintain contact resistance of 100 mΩ or less with no looseness or deformation.

Salt spray test: 35 ±2 °C, RH 90-95%, 5% NaCl mist for 24 hrs. Wash parts after test. Maintain mechanical requirements and a contact resistance of less than 100 mΩ.

Operating range

-25 to 70 °C



REVISION	DATE	DESCRIPTION
A	7/9/2015	Initial release
A1	10/27/2015	Added PCB dimensioning and wiring information

PREPARED: **GL**
 2015.10.27
 1435:46
 -07'00'

VERIFIED: **JM**
 2015.10.27
 1437:46-07'00'

DIMENSIONS ARE IN MILLIMETERS

TOLERANCES:
 X: ± 0.5 mm
 X.X: ± 0.3 mm
 X.XX: ± 0.05 mm

NOTES

RoHS compliant

Drawing in third angle projected

DESCRIPTION:

Connector, 4C audio plug, 3.5xL26.6 mm, brass, nickel plated, PCB mount

5 → 1 4 3 2

Looking for pricing, stock, or lifecycle information?

Click below to explore more details on WIN SOURCE:

-  [View 54-00035 on WIN SOURCE](#)
-  [Tensility International Corp](#) Information

Optimize Your Supply Chain with WIN SOURCE Solutions

-  Global Sourcing Solution
-  Obsolete Management
-  Cost Control Management
-  Shortage Management
-  Alternative Solution
-  Excess Inventory Management