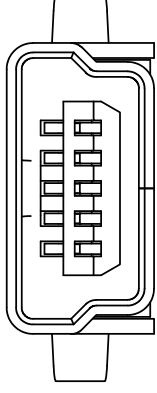
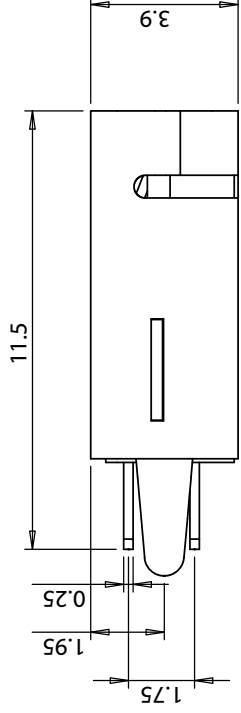
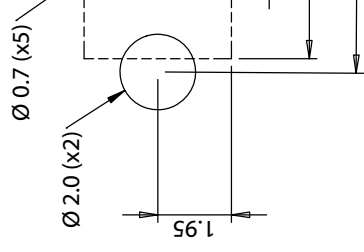
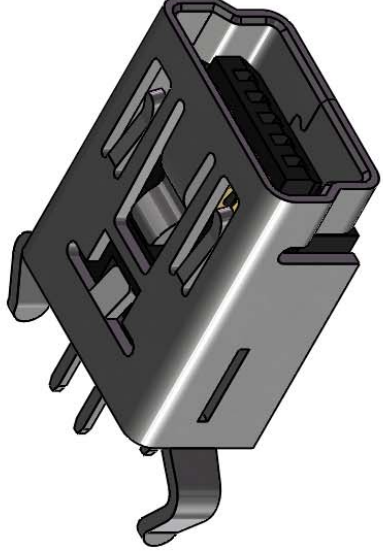
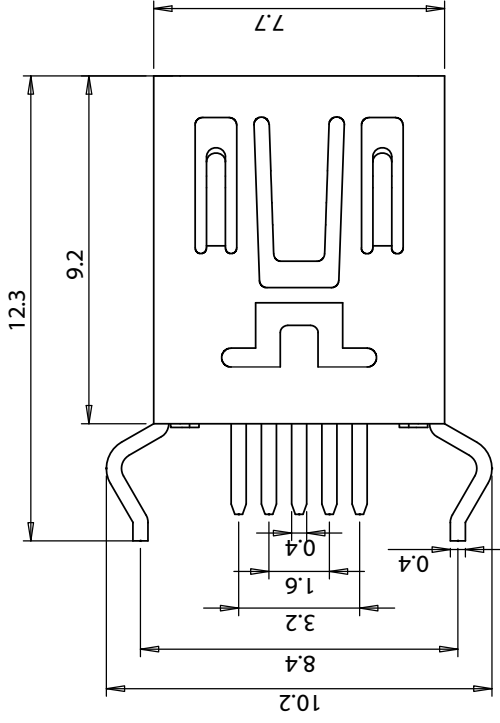




**THE DATASHEET OF**  
**54-00025**



# USB mini B jack



Revision:	Date:	Description:
A	09/28/2015	Initial release
A1	07/30/2018	Corrected operating temp range

Prepared:	Verified:
	Dimensions are in millimeters. Tolerances: X: ± 0.5 mm XX: ± 0.3 mm XXX: ± 0.05 mm

Notes:
RoHS and REACH compliant Function test: no open, no short circuit, no intermittent Description: Connector, USB mini B Jack, PCB mount, 180°, nickel shell, DIP, board lock, black insulator, tray

TE	tel 1.5	Part:
	fax 1.5	54
		Size: A
		Scale: 5:

5 ← 4 3 2

## Materials

1. Shell, phosphor bronze, nickel plated
2. Pins, phosphor bronze, 5 µm gold and tin plating
3. Insulator, Nylon 46, black

## Electrical

Rated voltage: 30 Vdc  
Rated current: 2 A  
Dielectric strength: 1 min @ 500 Vac  
Insulation resistance: 100 MΩ @ 500 Vdc  
Contact resistance: 50 mΩ or less

## Mechanical

Insertion force: 3.5 kgf maximum  
Withdrawal force: 0.7 kgf minimum  
Durability: 5000 cycle minimum life: less than 100 mΩ contact resistance, minimum 50 MΩ insulation resistance  
Terminal strength: 0.3 kgf in any direction for 15 seconds without damage or looseness

## Soldering

Solderability: 75% minimum coverage when terminals dipped 2 mm in 255 ±5 °C solder bath for 3 ±0.5 seconds  
Solder bath durability: no deformation when immersed in 260 ±5 °C up to surface of the board for 10 seconds or less  
Solder iron durability: no deformation when exposed to 350 ±10 °C for 3 ±0.5 seconds

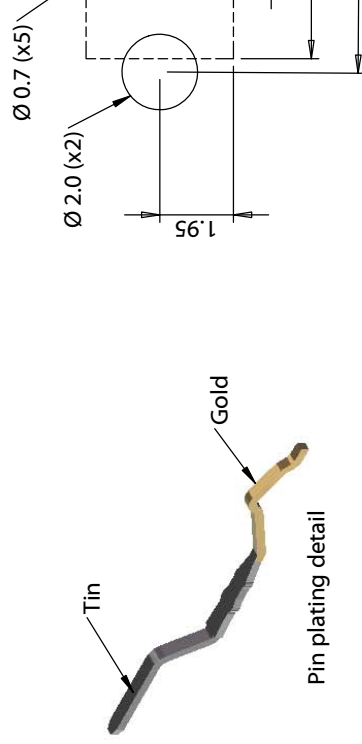
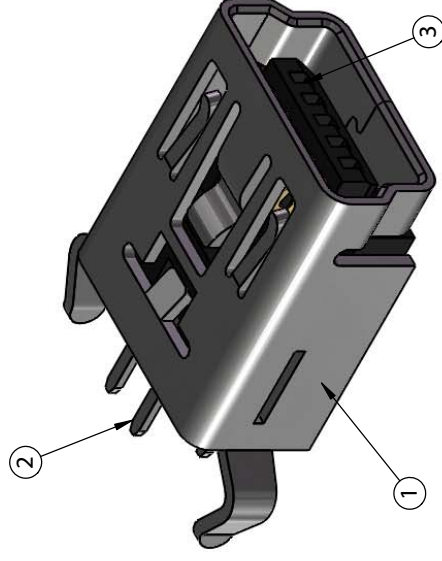
## Environmental

Cold test: -40 ±3 °C for 48 hours without deformation  
Heat test: 85 ±2 °C for 48 hours without deformation  
Humidity test: 40 ±2 °C and humidity between 90 and 98 % for 48 hours without deformation

## Operating range

-40 ~ 85 °C

# USB mini B jack



Revision:	Date:	Description:
A	09/28/2015	Initial release
A1	07/30/2018	Corrected operating temp range

Prepared:

Verified:

Dimensions are in millimeters.  
Tolerances:  
X: ± 0.5 mm  
XX: ± 0.3 mm  
XXX: ± 0.05 mm

Notes:

RoHS and REACH compliant

Function test: no open, no short circuit, no intermittent

Description:

Connector, USB mini B Jack, PCB mount, 180°, nickel shell, DIP, board lock, black insulator, tray

# TE

tel 1.5  
fax 1.5



Size: Part  
A 54

Scale: 5:

5 ↑ 4 3 2

## Looking for pricing, stock, or lifecycle information?

Click below to explore more details on WIN SOURCE:

-  [View 54-00025 on WIN SOURCE](#)
-  [Tensility International Corp](#) Information

## Optimize Your Supply Chain with WIN SOURCE Solutions

-  Global Sourcing Solution
-  Obsolete Management
-  Cost Control Management
-  Shortage Management
-  Alternative Solution
-  Excess Inventory Management