



**THE DATASHEET OF
M39029/91-530**





Product Compliance

[For compliance documentation, visit the product page on TE.com>](#)

EU RoHS Directive 2011/65/EU	Compliant with Exemptions
EU ELV Directive 2000/53/EC	Compliant with Exemptions
China RoHS 2 Directive MIIT Order No 32, 2016	Restricted Materials Above Threshold
EU REACH Regulation (EC) No. 1907/2006	Current ECHA Candidate List: JUNE 2024 (241) Candidate List Declared Against: JAN 2024 (240) SVHC > Threshold: Pb (1.2% in Component) Article Safe Usage Statements: Do not eat, drink or smoke when using this product. Wash thoroughly after handling. Recycle if possible and dispose of the article by following all applicable governmental regulations relevant to your geographic location.
Halogen Content	Low Halogen - Br, Cl, F, I < 900 ppm per homogenous material. Also BFR/CFR/PVC Free
Solder Process Capability	Reflow solder capable to 245°C

Product Compliance Disclaimer

This information is provided based on reasonable inquiry of our suppliers and represents our current actual knowledge based on the information they provided. This information is subject to change. The part numbers that TE has identified as EU RoHS compliant have a maximum concentration of 0.1% by weight in homogenous materials for lead, hexavalent chromium, mercury, PBB, PBDE, DBP, BBP, DEHP, DIBP, and 0.01% for cadmium, or qualify for an exemption to these limits as defined in the Annexes of Directive 2011/65/EU (RoHS2). Finished electrical and electronic equipment products will be CE marked as required by Directive 2011/65/EU. Components may not be CE marked. Additionally, the part numbers that TE has identified as EU ELV compliant have a maximum concentration of 0.1% by weight in homogenous materials for lead, hexavalent chromium, and mercury, and 0.01% for cadmium, or qualify for an exemption to these limits as defined in the Annexes of Directive 2000/53/EC (ELV). Regarding the REACH Regulation, the information TE provides on SVHC in articles for this part number is based on the latest European Chemicals Agency (ECHA) 'Guidance on requirements for substances in articles' posted at this URL: <https://echa.europa.eu/guidance-documents/guidance-on-reach>

Compatible Parts

 <p>TE Part # YDTS20F21-75BCV001 RECP ASSY</p>	 <p>TE Part # YDTS20F21-75BDV001 RECP ASSY</p>	 <p>TE Part # YDTS20F21-75BEV001 RECP ASSY</p>	 <p>TE Part # YDTS20F21-75SAV001 RECP ASSY</p>
---	--	---	---



TE Part # YDTS20W21-75BEV001
RECP ASSY



TE Part # YDTS20W21-75SAV001
RECP ASSY



TE Part # YDTS24F21-75BCV001
RECP ASSY



TE Part # YDTS24F21-75BDV001
RECP ASSY



TE Part # YDTS24F21-75BEV001
RECP ASSY



TE Part # YDTS24F21-75SAV001
RECP ASSY



TE Part # YDTS26W25-08SNV001
PLUG ASSY



TE Part # YDTS20F21-75SAC001
RECP ASSY



TE Part # YDTS20T21-75BAV001
RECP ASSY



TE Part # YDTS20T21-75BBV001
RECP ASSY



TE Part # YDTS20T21-75BCV001
RECP ASSY



TE Part # YDTS20T21-75BDV001
RECP ASSY



TE Part # YDTS20T21-75BEV001
RECP ASSY



TE Part # YDTS20T21-75BNV001
RECP ASSY



TE Part # YDTS20T21-75SAC001
RECP ASSY



TE Part # YDTS20T21-75SBC001
RECP ASSY


Customers Also Bought



TE Part #3-1630019-7
HSC200 82R 5%



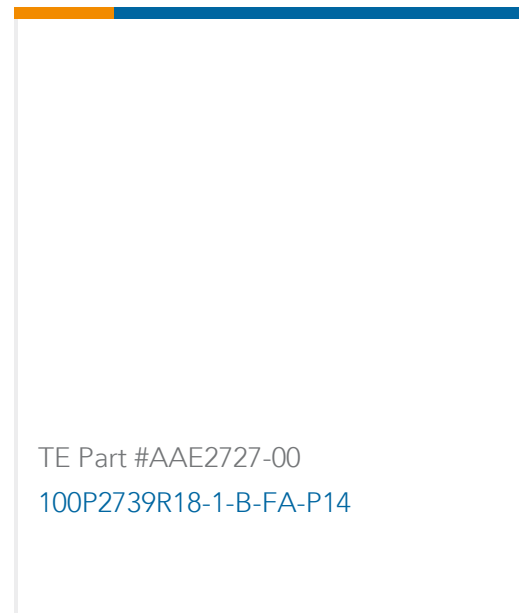
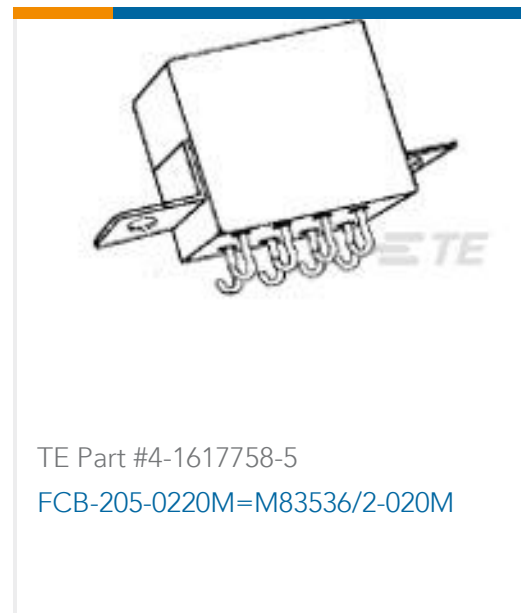
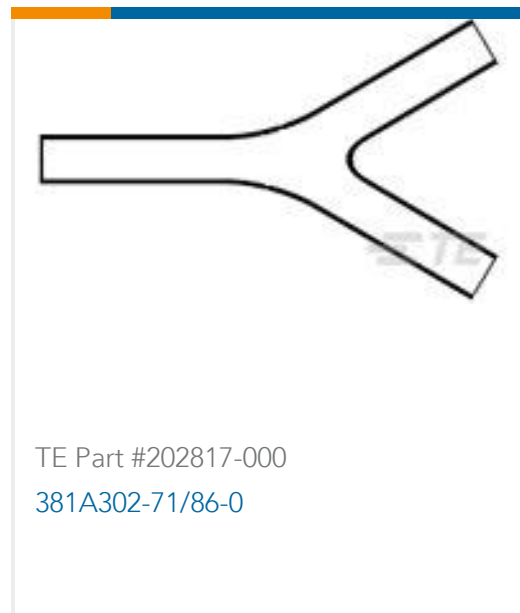
TE Part #38943-22L
CONT SOC ASSY



TE Part #6162-283-0877
CONT PIN ASSY



TE Part #38941-16
CONTACTS



Documents

Product Drawings

CONT SOC ASSY

English

CAD Files

Customer View Model

[ENG_CVM_CVM_6162-284-0877_1.3d_igs.zip](#)

English

3D PDF

3D

Customer View Model

[ENG_CVM_CVM_6162-284-0877_1.2d_dxf.zip](#)

English

Customer View Model

[ENG_CVM_CVM_6162-284-0877_1.3d_stp.zip](#)

English

By downloading the CAD file I accept and agree to the [Terms and Conditions](#) of use.

Instruction Sheets

Instruction Sheet (U.S.)

English

Looking for pricing, stock, or lifecycle information?

Click below to explore more details on WIN SOURCE:

[View M39029/91-530 on WIN SOURCE](#)

[Texas Instruments Information](#)

Optimize Your Supply Chain with WIN SOURCE Solutions

- ✓ Global Sourcing Solution
- ✓ Obsolete Management
- ✓ Cost Control Management
- ✓ Shortage Management
- ✓ Alternative Solution
- ✓ Excess Inventory Management