



**THE DATASHEET OF**  
**1-1337482-0**

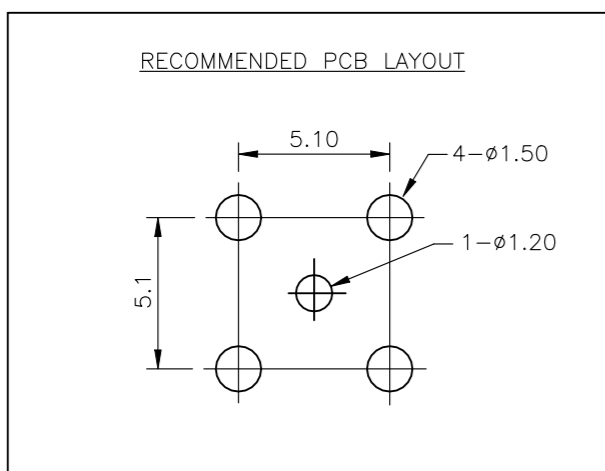
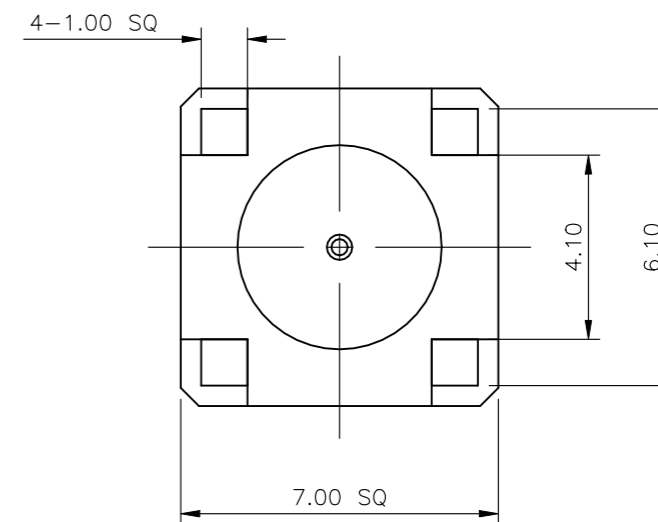
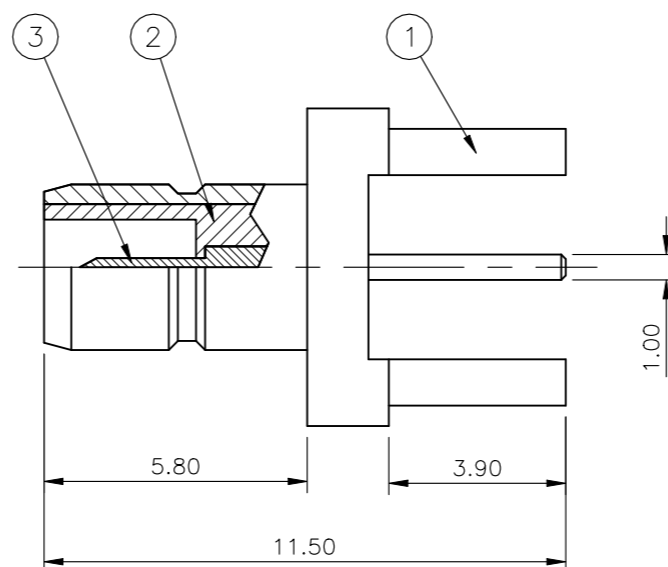


REVISIONS

P	LTR	DESCRIPTION	DATE	DWN	APVD
	D2	REVISED PER ECR-16-002372	21OCT2021	ED	WH

NOTES:

- 1 PACK IN ACCORDANCE WITH AMP SPEC 107-3275
- 2 100 TRAY PACK IN ACCORDANCE WITH AMP SPEC 107-3275
- 3 Au PLATING  
GOLD THICKNESS FOR CONTACT IS 0.05um;  
GOLD THICKNESS FOR BODY IS 0.05um.
- 4 ELECTRICAL CHARACTERISTICS  
FREQUENCY RANGE: DC - 4 GHz  
NOMINAL IMPEDANCE: 50 Ohm  
INSULATION RESISTANCE: 1000 MOhm  
WORKING VOLTAGE: 250 Volts RMS at Sea Level  
DIELECTRIC WITHSTAND VOLTAGE: 750 Volts RMS Max  
CONTACT RESISTANCE:  
CENTRE CONTACT: 6.00 mOhm Max  
OUTER CONTACT: 1.00 mOhm Max
- 5 MECHANICAL CHARACTERISTICS  
DURABILITY: 500 Cycles Min
- 6 ENVIRONMENTAL CHARACTERISTICS  
OPERATING TEMPERATURE: -65 to +165 DegC
- 7 FOR TECHNICAL DATA REFER TO YOUR LOCAL  
TE CONNECTIVITY SALES OFFICE
- 8 ALL DIMENSIONS ARE NOMINAL FOR REFERENCE  
ONLY UNLESS OTHERWISE STATED



QTY	QTY PER ASSY	MATERIAL	DESCRIPTION	ITEM
1	1	BRASS	CONTACT	3
1	1	PTFE	INSULATION	2
1	1	BRASS	BODY	1
6--0	1--0			

THIS DRAWING IS A CONTROLLED DOCUMENT.		DWN J.SANDWELL 07SEPT05	TE Connectivity <b>SMB STRAIGHT PCB SOCKET</b> 50 OHM				
DIMENSIONS: mm		CHK S.PARLOW 07SEPT05				NAME	RESTRICTED TO
TOLERANCES UNLESS OTHERWISE SPECIFIED:		APVD F.WHEELER-KING 07SEPT05				SIZE	CAGE CODE
0 PLC ± - 1 PLC ± 0.2 2 PLC ± 0.1 3 PLC ± - 4 PLC ± - ANGLES ± -		PRODUCT SPEC				DRAWING NO	REVISION
MATERIAL SEE TABLE		FINISH -	WEIGHT 0.000000	A3 00779	C-1337482		
CUSTOMER DRAWING			SCALE NTS	SHEET 1 OF 1	REV D2		

## Looking for pricing, stock, or lifecycle information?

Click below to explore more details on WIN SOURCE:

 [View 1-1337482-0 on WIN SOURCE](#)

 [TE Connectivity](#) Information

## Optimize Your Supply Chain with WIN SOURCE Solutions

-  Global Sourcing Solution
-  Obsolete Management
-  Cost Control Management
-  Shortage Management
-  Alternative Solution
-  Excess Inventory Management