

WINSOURCE
ELECTRONICS

THE DATASHEET OF
1-1337583-0



1-1337583-0 ✓ ACTIVE

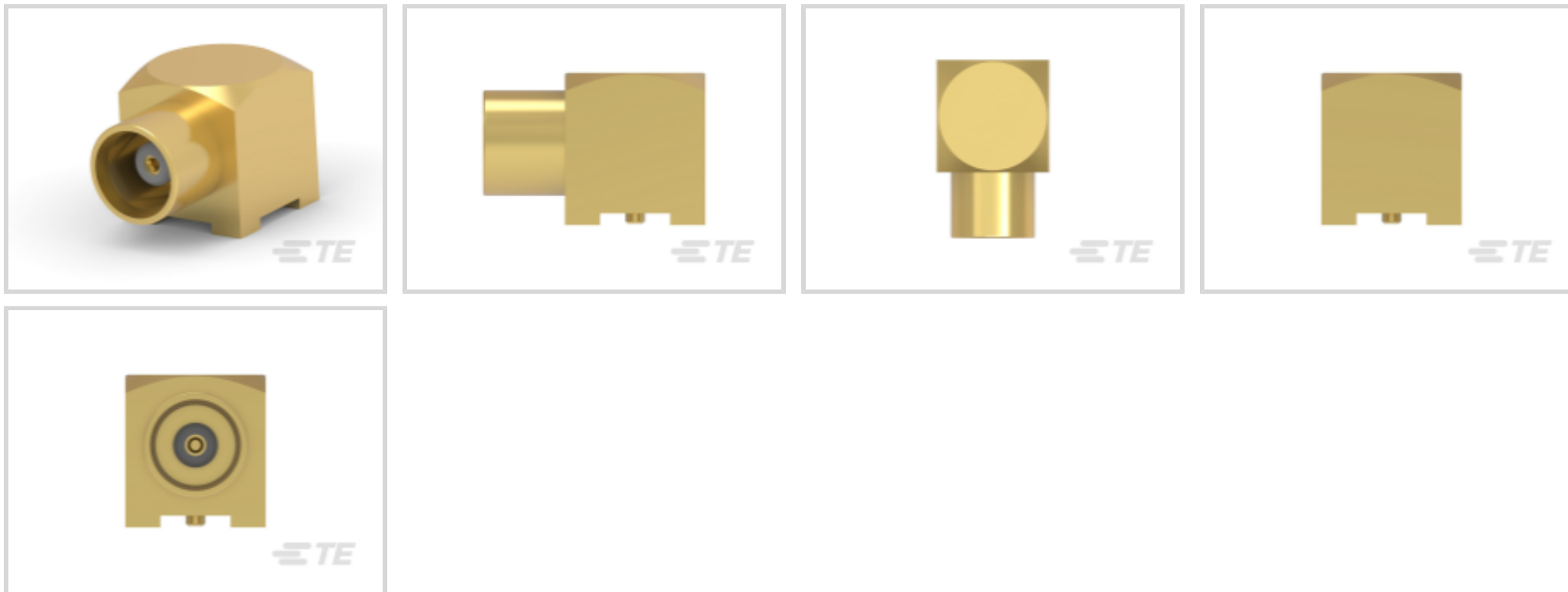
TE Internal #: 1-1337583-0

MCX RF Interface, Jack, 50 ohm, Snap-On, 6 GHz Operating Frequency, Cable-to-Board, 1 Position, Printed Circuit Board, Board Mount

[View on TE.com >](#)



Connectors > RF Connectors > Coax Connectors



RF Interface: **MCX**

RF Connector Style: **Jack**

Impedance: **50 Ω**

RF Connector Coupling Mechanism: **Snap-On**

Operating Frequency: **6 GHz**

Features

Product Type Features

Connector Shape	Rectangular
RF Interface	MCX
RF Connector Style	Jack
Connector System	Cable-to-Board
Sealable	No
Connector & Contact Terminates To	Printed Circuit Board

Configuration Features

PCB Mount Orientation	Right Angle
Number of Positions	1
Number of Coaxial Contacts	1

Electrical Characteristics

Impedance	50 Ω
-----------	------

Body Features

Body Material	Brass
---------------	-------



Body Material Finish	Plated
----------------------	--------

Body Plating Material	Gold
-----------------------	------

Contact Features

RF Connector Center Contact Plating Material	Gold
--	------

RF Connector Center Contact Material	Beryllium Copper
--------------------------------------	------------------

Termination Features

Termination Method to PCB	Surface Mount
---------------------------	---------------

Mechanical Attachment

PCB Mount Retention	Without
---------------------	---------

RF Connector Coupling Mechanism	Snap-On
---------------------------------	---------

Connector Mounting Type	Board Mount
-------------------------	-------------

Detent	Without
--------	---------

Dimensions

Profile Height from PCB	5.7 mm[.224 in]
-------------------------	-----------------

Usage Conditions

Operating Temperature Range	-40 – 85 °C[-40 – 185 °F]
-----------------------------	---------------------------

Operation/Application

Operating Frequency	6 GHz
---------------------	-------

Packaging Features

Packaging Method	Tape & Reel
------------------	-------------

Other

Grade	Professional
-------	--------------

Dielectric Material	PTFE
---------------------	------

Product Compliance

[For compliance documentation, visit the product page on TE.com>](#)

EU RoHS Directive 2011/65/EU	Compliant with Exemptions
------------------------------	---------------------------

EU ELV Directive 2000/53/EC	Compliant with Exemptions
-----------------------------	---------------------------

China RoHS 2 Directive MIIT Order No 32, 2016	Restricted Materials Above Threshold
---	--------------------------------------

EU REACH Regulation (EC) No. 1907/2006	Current ECHA Candidate List: JUNE 2024 (241) Candidate List Declared Against: JUNE 2024 (241)
--	--



SVHC > Threshold:

Pb (3.15% in Component Part)

Article Safe Usage Statements:

Do not eat, drink or smoke when using this product. Wash thoroughly after handling. Recycle if possible and dispose of the article by following all applicable governmental regulations relevant to your geographic location.

Halogen Content

Low Bromine/Chlorine - Br and Cl < 900 ppm per homogenous material. Also BFR /CFR/PVC Free

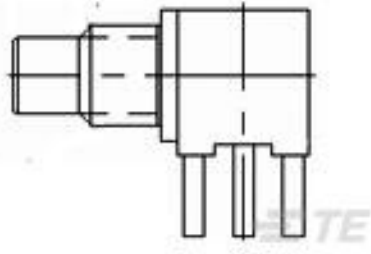
Solder Process Capability

Wave solder capable to 265°C

Product Compliance Disclaimer

This information is provided based on reasonable inquiry of our suppliers and represents our current actual knowledge based on the information they provided. This information is subject to change. The part numbers that TE has identified as EU RoHS compliant have a maximum concentration of 0.1% by weight in homogenous materials for lead, hexavalent chromium, mercury, PBB, PBDE, DBP, BBP, DEHP, DIBP, and 0.01% for cadmium, or qualify for an exemption to these limits as defined in the Annexes of Directive 2011/65/EU (RoHS2). Finished electrical and electronic equipment products will be CE marked as required by Directive 2011/65/EU. Components may not be CE marked. Additionally, the part numbers that TE has identified as EU ELV compliant have a maximum concentration of 0.1% by weight in homogenous materials for lead, hexavalent chromium, and mercury, and 0.01% for cadmium, or qualify for an exemption to these limits as defined in the Annexes of Directive 2000/53/EC (ELV). Regarding the REACH Regulation, the information TE provides on SVHC in articles for this part number is based on the latest European Chemicals Agency (ECHA) 'Guidance on requirements for substances in articles' posted at this URL: <https://echa.europa.eu/guidance-documents/guidance-on-reach>

Compatible Parts



TE Part # 1060259-1
5064 5003 09

Customers Also Bought



TE Part #390112-1
SKT,SODIMM,144P,SDRAM3.3V,HIGH



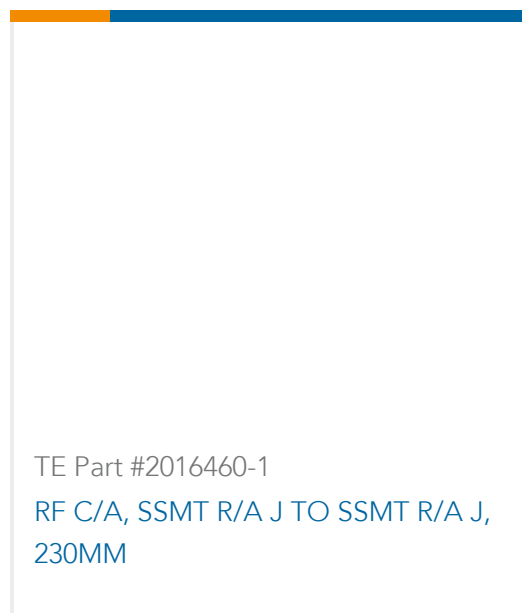
TE Part #640457-7
07P MTA100 HDR ASSY SQ R/A F/L



TE Part #2176117-6
Metal Chip Resistor: Current Sense



TE Part #1623929-4
CFR200 5% 10R



Documents

Product Drawings

[MCX R/A SMT Skt 50Ohm Gold Pltd](#)

English

CAD Files

[3D PDF](#)

3D

Customer View Model

[ENG_CVM_CVM_1-1337583-0_F.2d_dxf.zip](#)

English

Customer View Model

[ENG_CVM_CVM_1-1337583-0_F.3d_igs.zip](#)

English

Customer View Model

[ENG_CVM_CVM_1-1337583-0_F.3d_stp.zip](#)

English

By downloading the CAD file I accept and agree to the [Terms and Conditions](#) of use.

Product Specifications

[Product Specification](#)

English

Looking for pricing, stock, or lifecycle information?

Click below to explore more details on WIN SOURCE:

[View 1-1337583-0 on WIN SOURCE](#)

[TE Connectivity Information](#)

Optimize Your Supply Chain with WIN SOURCE Solutions

- ✓ Global Sourcing Solution
- ✓ Obsolete Management
- ✓ Cost Control Management
- ✓ Shortage Management
- ✓ Alternative Solution
- ✓ Excess Inventory Management