



**THE DATASHEET OF
TV1005HA-50R0JN-96**



BeO

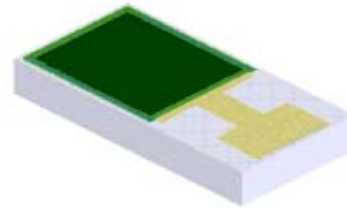
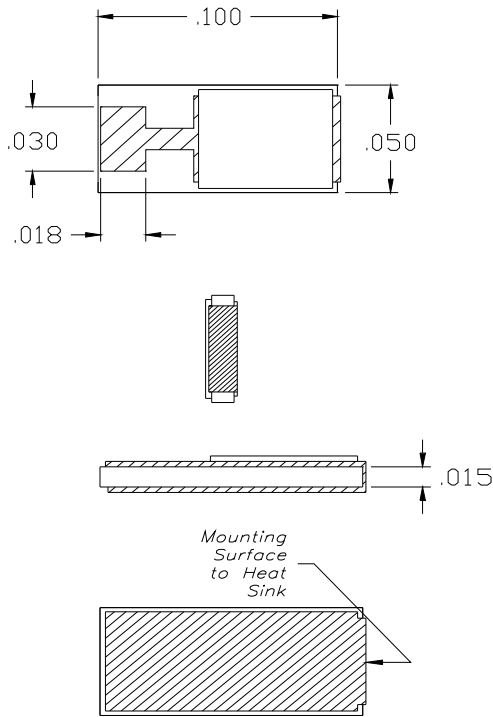
CHIP TERMINATION

Features:

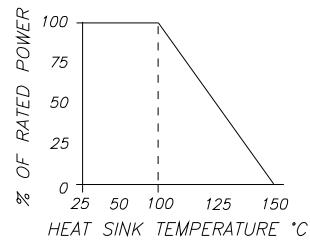
- ◆ BeO Material
- ◆ DC - 18 GHz Performance
- ◆ 20 Watt Input Power
- ◆ HA - Gold over Platinum Palladium Gold Input Pad with Platinum Palladium Gold Ground

General Description:

The TV1005HA-50R0JN-96-01 is a 50 ohm BeO chip termination. It has an input power rating of 20 watts, while maintaining a constant mounting surface temperature of 100°C. It offers a frequency range from DC - 18 GHz.



DERATING CURVE:



Parameter	Min.	Typ.	Max.	Units
Frequency Range	DC		18	GHz
Resistance	47.5	50	52.5	Ohms
Input Power			20	Watts
Mounting Surface Temperature			100	°C

Barry Industries reserves the right to change part number and or process without notification.

Barry Industries, Inc., 60 Walton St., Attleboro, MA 02703 T: 508-226-3350 F: 508-226-3317 E-mail: sales@barryind.com

Barry Industries maintains an ISO 9001 Certified Quality Management System

Origination Date	Revision Date	Rev.
03/23/10	03/23/10	-

Looking for pricing, stock, or lifecycle information?

Click below to explore more details on WIN SOURCE:

 [View TV1005HA-50R0JN-96 on WIN SOURCE](#)

 [Vishay Information](#)

Optimize Your Supply Chain with WIN SOURCE Solutions

-  Global Sourcing Solution
-  Obsolete Management
-  Cost Control Management
-  Shortage Management
-  Alternative Solution
-  Excess Inventory Management