



THE DATASHEET OF
1-1705300-5





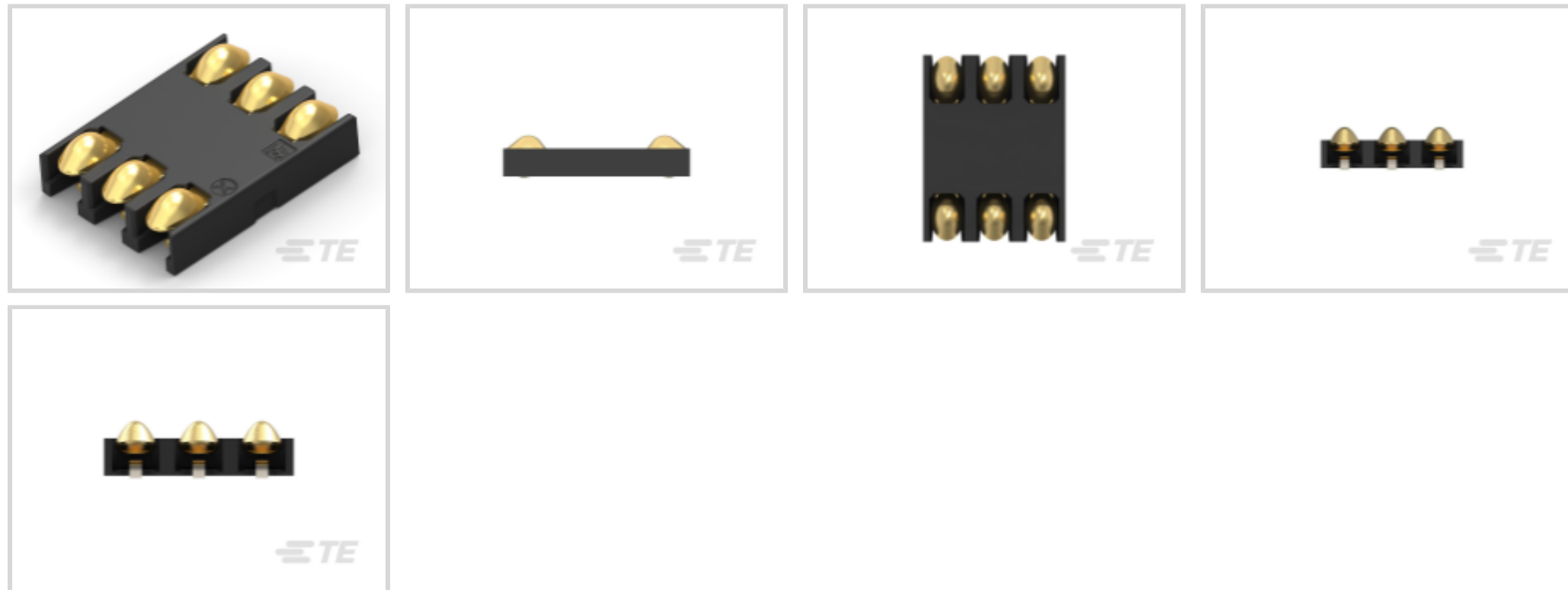
SIM Connectors

TE Internal #: 1-1705300-5

2FF mini SIM Compatible Card, 5-Directional Type, 6 Position, 6 Loaded Positions, Signal, SIM Connectors, SIM Card Connectors

[View on TE.com >](#)

Connectors > PCB Connectors > Memory Card Connectors > SIM Card Connectors



Compatible Card: 2FF mini SIM

SIM Card Product Type: 5-Directional Type

Number of Positions: 6

Number of Loaded Positions: 6

Contact Current Rating (Max): .5 A

Features

Product Type Features

Card Stop	Without
Connector & Contact Terminates To	Printed Circuit Board
Compatible Card	2FF mini SIM
SIM Card Product Type	5-Directional Type

Configuration Features

Card Insertion Style	Normal Insertion
Card Detection Switch	Without
Number of Positions	6
Number of Loaded Positions	6

Electrical Characteristics

Voltage Rating	30 VAC
Current Rating (Max)	.5 A

Body Features

Ejector Type	Push-Pull
--------------	-----------



Primary Product Color	Black
-----------------------	-------

Contact Features

Contact Mating Retention	Without
--------------------------	---------

Contact Base Material	Copper Alloy
-----------------------	--------------

Contact Current Rating (Max)	.5 A
------------------------------	------

Termination Features

Termination Method to PCB	Surface Mount
---------------------------	---------------

Mechanical Attachment

Mating Alignment	Without
------------------	---------

Connector Mounting Type	Board Mount
-------------------------	-------------

Housing Features

Housing Material	LCP (Liquid Crystal Polymer)
------------------	------------------------------

Centerline (Pitch)	2.54 mm[.1 in]
--------------------	----------------

Dimensions

Profile Height from PCB	1.5 mm[.059 in]
-------------------------	-----------------

Usage Conditions

Operating Temperature Range	-40 – 85 °C[-40 – 185 °F]
-----------------------------	---------------------------

Operation/Application

Durability Rating	5000 Cycles
-------------------	-------------

Circuit Application	Signal
---------------------	--------

Industry Standards

UL Flammability Rating	UL 94V-0
------------------------	----------

Packaging Features

Packaging Quantity	1450
--------------------	------

Packaging Method	Tape & Reel
------------------	-------------

Product Compliance

[For compliance documentation, visit the product page on TE.com>](#)

EU RoHS Directive 2011/65/EU	Compliant
------------------------------	-----------

EU ELV Directive 2000/53/EC	Compliant
-----------------------------	-----------

China RoHS 2 Directive MIIT Order No 32, 2016	No Restricted Materials Above Threshold
---	---



EU REACH Regulation (EC) No. 1907/2006

Current ECHA Candidate List: JUNE 2024 (241)

Candidate List Declared Against: JUNE 2024 (241)

Does not contain REACH SVHC

Halogen Content

Low Halogen - Br, Cl, F, I < 900 ppm per homogenous material. Also BFR/CFR/PVC Free

Solder Process Capability

Reflow solder capable to 260°C

Product Compliance Disclaimer

This information is provided based on reasonable inquiry of our suppliers and represents our current actual knowledge based on the information they provided. This information is subject to change. The part numbers that TE has identified as EU RoHS compliant have a maximum concentration of 0.1% by weight in homogenous materials for lead, hexavalent chromium, mercury, PBB, PBDE, DBP, BBP, DEHP, DIBP, and 0.01% for cadmium, or qualify for an exemption to these limits as defined in the Annexes of Directive 2011/65/EU (RoHS2). Finished electrical and electronic equipment products will be CE marked as required by Directive 2011/65/EU. Components may not be CE marked. Additionally, the part numbers that TE has identified as EU ELV compliant have a maximum concentration of 0.1% by weight in homogenous materials for lead, hexavalent chromium, and mercury, and 0.01% for cadmium, or qualify for an exemption to these limits as defined in the Annexes of Directive 2000/53/EC (ELV). Regarding the REACH Regulation, the information TE provides on SVHC in articles for this part number is based on the latest European Chemicals Agency (ECHA) 'Guidance on requirements for substances in articles' posted at this URL: <https://echa.europa.eu/guidance-documents/guidance-on-reach>

Compatible Parts




TE Part # 2174918-1
PUSH-PUSH SIM CONNECTOR
SUPER LOWPROFILE




TE Part # 2-1705300-8
SIM CONNECTOR 5 DIRECTIONAL

Also in the Series | SIM Connectors

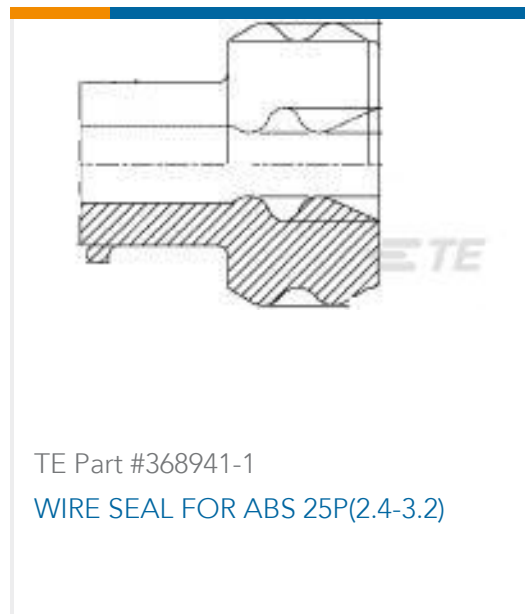
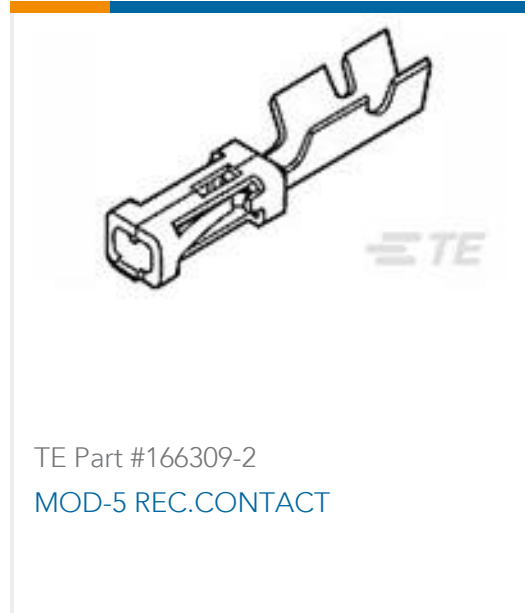
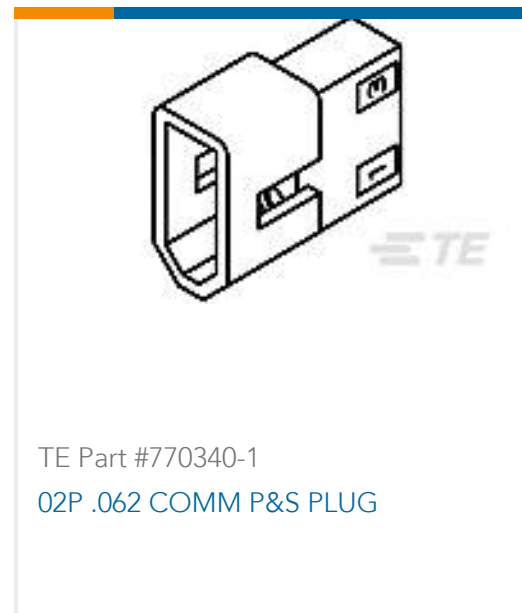


SC Connectors(2)



SIM Card Connectors(9)

Customers Also Bought



Documents

Product Drawings

[SIM CONNECTOR 5 DIRECTIONAL](#)

English

CAD Files

[3D PDF](#)

3D

Customer View Model

[ENG_CVM_CVM_1-1705300-5_J_c-1-1705300-5-j.2d_dxf.zip](#)

English

Customer View Model

[ENG_CVM_CVM_1-1705300-5_J_c-1-1705300-5-j.3d_igs.zip](#)

English

Customer View Model

[ENG_CVM_CVM_1-1705300-5_J_c-1-1705300-5-j.3d_stp.zip](#)

English

By downloading the CAD file I accept and agree to the [Terms and Conditions](#) of use.

Datasheets & Catalog Pages



Products for Mobile Equipment

English

Product Specifications

Application Specification

English

Looking for pricing, stock, or lifecycle information?

Click below to explore more details on WIN SOURCE:

[View 1-1705300-5 on WIN SOURCE](#)

[TE Connectivity Information](#)

Optimize Your Supply Chain with WIN SOURCE Solutions

- ✓ Global Sourcing Solution
- ✓ Obsolete Management
- ✓ Cost Control Management
- ✓ Shortage Management
- ✓ Alternative Solution
- ✓ Excess Inventory Management