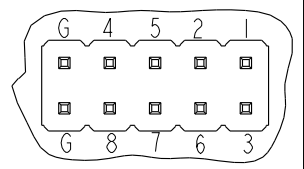
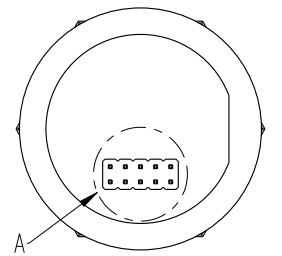
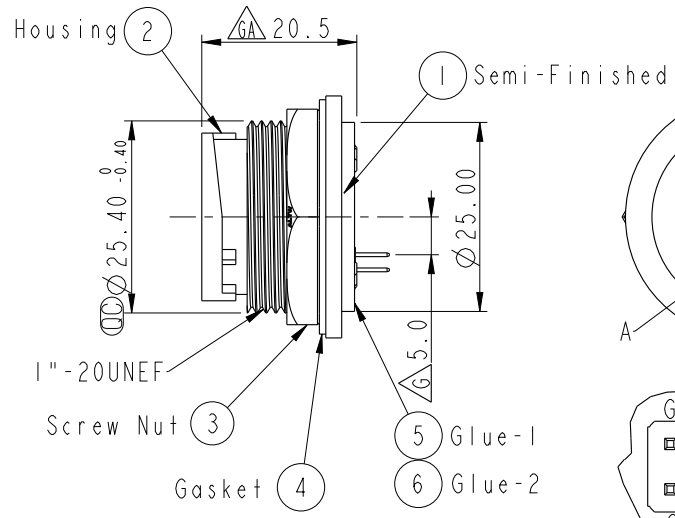
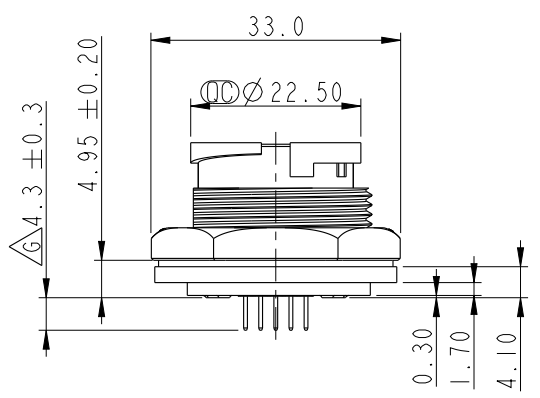
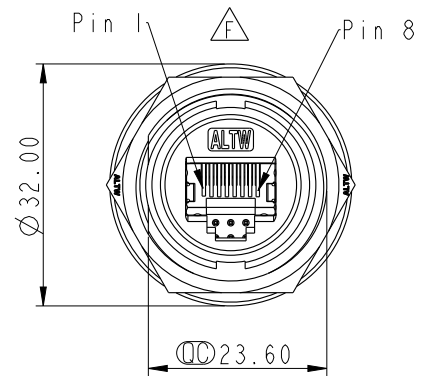
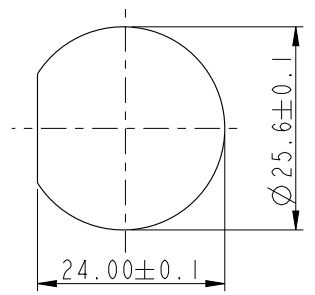
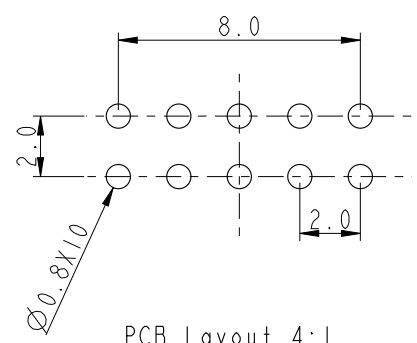
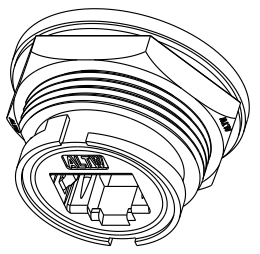




**THE DATASHEET OF
RJS-5EPFFP-LC7002**



REV.	ECN NO.	DATE	SIGN	DESCRIPTION
F	LEN15A0235	2015/10/05	Ruru	Change Logo
G	CI91623	2019/09/18	Allen Pan	Add Pin Out Position Dimension
GA	C201523	2020/09/30	JC Chen	GA XI



Detail "A"
Scale 3:1

- Notes:
- * \varnothing Important Dimension.
 - * Waterproof Rate: IP67.
 - * RJ45 Sheet: Nickel Plated.
 - * Wafer: Black.
 - * RJ45 Insert: Black.
 - * Liquid Glue: Black.
 - * Screw Nut: Nylon+GF, Black.
 - * Gasket: Silicone, Gray.
 - * Use with Waterproof Cap or Dust Cap
 - For Panel Thickness Max: 4.6mm.

UNIT: mm		
TOLERANCE	.X ±0.25	
.XX ±0.1		
.XXX ±0.05		
ANGLES	±1°	

TITLE PANEL LOCK F CONN F PIN			
SCALE 1:1	SIZE A4	SHEET 1 OF 1	
REV. GA	WC-REV. C.4	\varnothing : Inspection item	

Amphenol LTW
安費諾亮泰企業股份有限公司

ITEM NO. RJS-5EPFFP-LC7002	DWG NO. RJS-5EPFFP-LC7002	CUSTOMER ALTW
-------------------------------	------------------------------	------------------



DRAWN BY Allen Pan	CHECKED BY Fred Lee	APPROVED BY Fred Lee
-----------------------	------------------------	-------------------------

DATE 2019-09-18	DATE 2019-09-18	DATE 2019-09-18
--------------------	--------------------	--------------------

THIS DOCUMENT IS SUBJECT TO CHANGE WITHOUT NOTICE. IT IS CONFIDENTIAL AND A PROPERTY OF Amphenol LTW. DISCLOSURE TO THIRD PARTY HAS TO BE AUTHORIZED BY Amphenol LTW.

Looking for pricing, stock, or lifecycle information?

Click below to explore more details on WIN SOURCE:

-  [View RJS-5EPFFP-LC7002 on WIN SOURCE](#)
-  [Amphenol Information](#)

Optimize Your Supply Chain with WIN SOURCE Solutions

-  Global Sourcing Solution
-  Obsolete Management
-  Cost Control Management
-  Shortage Management
-  Alternative Solution
-  Excess Inventory Management