



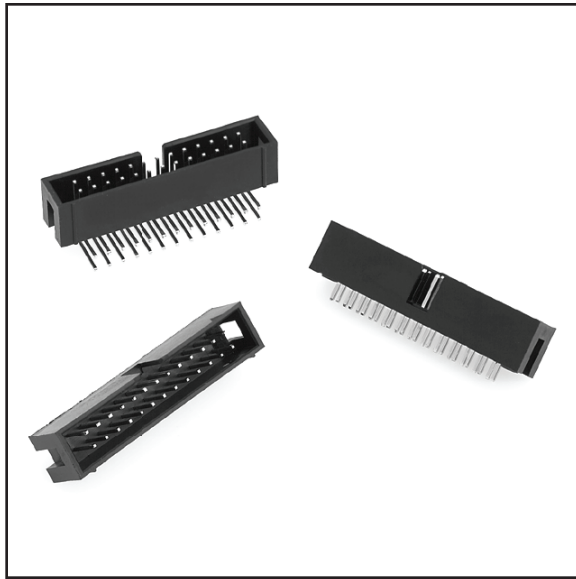
**THE DATASHEET OF**  
**30326-5002HB**



# 3M™ Low Profile Header

.100" × .100" Straight and Right Angle, Four-Wall

303 Series



- All over gold flash
- Sturdy body
- End windows
- Low cost
- Straight or right angle
- Ejector/latch option not available
- Regulatory Information: Visit [3M.com/regs](http://3M.com/regs) or contact your 3M representative to find the RoHS compliance status of the 3M part you are interested in.

Date Modified: September 04, 2019

TS-0818 -D  
Sheet 1 of 3

---

## Physical

### Insulation:

Material: Glass Filled Polyester (PBT)

Flammability: UL 94V-0

Color: Black

### Contact:

Material: Brass

### Plating:

Underplating: 30 μ" [ 0.76 μm ] Nickel

Wiping Area and Solder Tails: Gold Flash

**Marking:** Orientation Triangle

---

## Electrical

**Current Rating:** 1 A

**Insulation Resistance:** >1 x 10<sup>9</sup> Ω at 500 V<sub>DC</sub>

**Withstanding Voltage:** 500 V<sub>RMS</sub> at Sea Level

---

## Environmental

**Temperature Rating:** -55°C to +105°C

**Process Temperature:** Maximum insulator temperature 191°C max, solder wave process only

UL File No.: E68080



Electronics Materials Solutions Division  
Interconnect Solutions

<http://www.3M.com/interconnect>

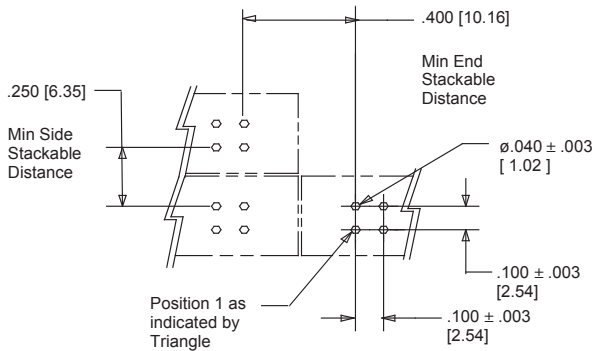
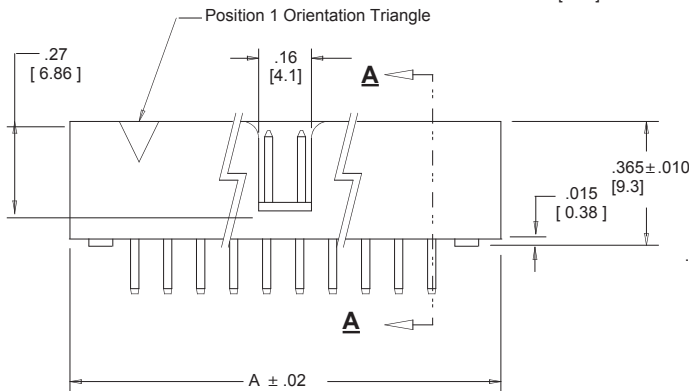
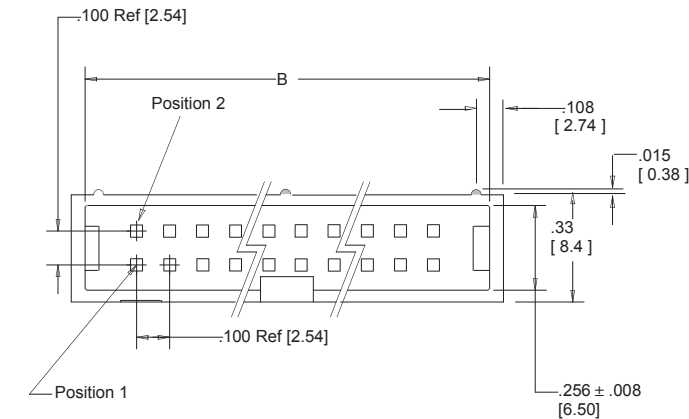
3M is a trademark of 3M Company.  
For technical, sales or ordering information call  
**800-225-5373**

# 3M™ Low Profile Header

.100" × .100" Straight and Right Angle, Four-Wall

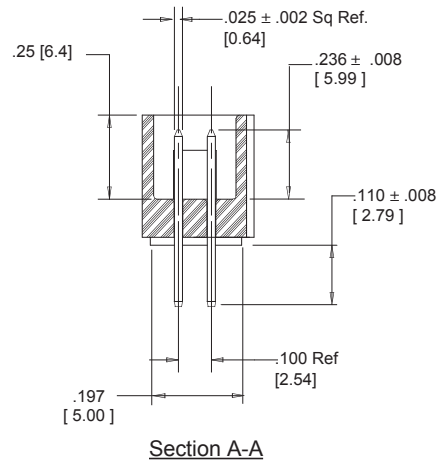
303 Series

## Straight



**Recommended P.C. Board Hole Pattern**  
(Shown for mounting side of board.)

Table 1		
Pin Quantity	Dimensions	
	A	B
06	.60 [ 15.4 ]	.51 [ 12.9 ]
08	.70 [ 17.8 ]	.61 [ 15.5 ]
10	.80 [ 20.3 ]	.71 [ 18.0 ]
14	1.00 [ 25.4 ]	.91 [ 23.1 ]
16	1.10 [ 27.9 ]	1.01 [ 25.6 ]
20	1.30 [ 33.0 ]	1.21 [ 30.7 ]
26	1.60 [ 40.6 ]	1.51 [ 38.4 ]
34	2.00 [ 50.8 ]	1.91 [ 48.5 ]
36	2.10 [ 53.6 ]	2.01 [ 51.0 ]
40	2.30 [ 58.4 ]	2.21 [ 56.1 ]
50	2.80 [ 71.1 ]	2.71 [ 68.8 ]



Tolerance Unless Noted			
	.0	.00	.000
Inch	±.1	±.01	±.005

[ ] Dimensions for Reference only

- Note 1: No ejector/latch option available.  
2. Low temperature plastic. Check compatibility with "no lead" processing conditions prior to production use.

## Ordering Information

**303XX - 6002HB** (RIA E1 and C1 apply)

Pin Quantity:  
(See Table 1)

HB - Gold Flash

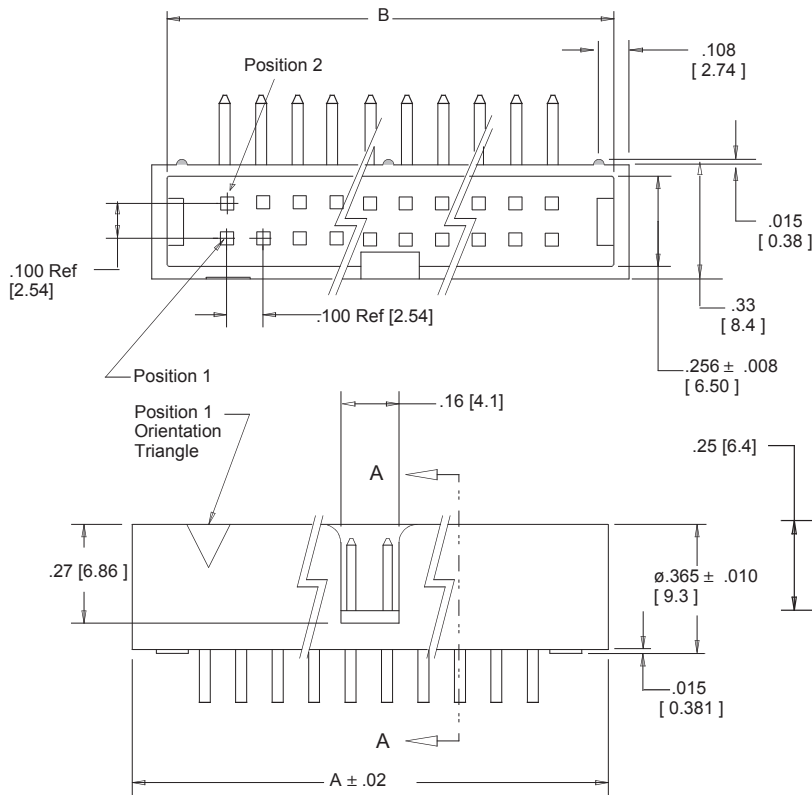
TS-0818-D  
Sheet 2 of 3

# 3M™ Low Profile Header

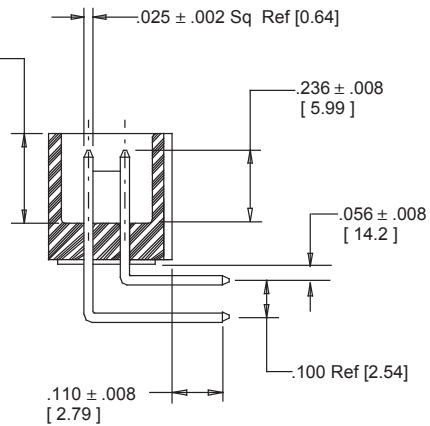
.100" × .100" Straight and Right Angle, Four-Wall

303 Series

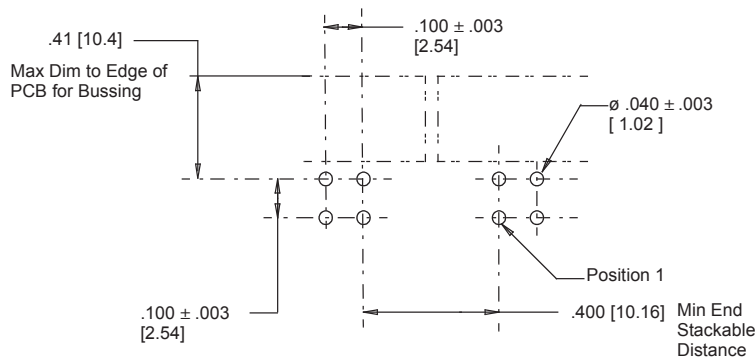
## Right Angle



Pin Quantity	Dimensions	
	A	B
06	.60 [ 15.2 ]	.51 [ 12.9 ]
08	.70 [ 17.8 ]	.61 [ 15.5 ]
10	.80 [ 20.3 ]	.71 [ 18.0 ]
14	1.00 [ 25.4 ]	.91 [ 23.1 ]
16	1.10 [ 27.9 ]	1.01 [ 25.6 ]
20	1.30 [ 33.0 ]	1.21 [ 30.7 ]
26	1.60 [ 40.6 ]	1.51 [ 38.4 ]
34	2.00 [ 50.8 ]	1.91 [ 48.5 ]
36	2.10 [ 53.6 ]	2.01 [ 51.0 ]
40	2.30 [ 58.4 ]	2.21 [ 56.1 ]
50	2.80 [ 71.1 ]	2.71 [ 68.8 ]



Section A-A



Recommended P.C. Board Hole Pattern  
(Shown for mounting side of board)



Tolerance Unless Noted			
	.0	.00	.000
Inch	±.1	±.01	±.005

[ ] Dimensions for Reference only

Note 1: No ejector/latch option available.

## Ordering Information

**303XX - 5002HB** (RIA E1 and C1 apply)

Pin Quantity:  
(See Table 1)

HB - Gold Flash

TS-0818-D  
Sheet 3 of 3



Electronics Materials Solutions Division  
Interconnect Solutions  
<http://www.3M.com/interconnect>

3M is a trademark of 3M Company.  
For technical, sales or ordering information call  
**800-225-5373**

Regulatory: For regulatory information about this product, visit [3M.com/regs](http://3M.com/regs) or contact your 3M representative.

Technical Information: The technical information, recommendations and other statements contained in this document are based upon tests or experience that 3M believes are reliable, but the accuracy or completeness of such information is not guaranteed.

Product Use: Many factors beyond 3M's control and uniquely within user's control can affect the use and performance of a 3M product in a particular application. Given the variety of factors that can affect the use and performance of a 3M product, user is solely responsible for evaluating the 3M product and determining whether it is fit for a particular purpose and suitable for user's method of application.

Warranty, Limited Remedy, and Disclaimer: Unless an additional warranty is specifically stated on the applicable 3M product packaging or product literature, 3M warrants that each 3M product meets the applicable 3M product specification at the time 3M ships the product. 3M MAKES NO OTHER WARRANTIES OR CONDITIONS, EXPRESS OR IMPLIED, INCLUDING, BUT NOT LIMITED TO, ANY IMPLIED WARRANTY OR CONDITION OF MERCHANTABILITY OR FITNESS FOR A PARTICULAR PURPOSE OR ANY IMPLIED WARRANTY OR CONDITION ARISING OUT OF A COURSE OF DEALING, CUSTOM OR USAGE OR TRADE.

If the 3M product does not conform to this warranty, then the sole and exclusive remedy is, at 3M's option, replacement of the 3M product or refund of the purchase price.

Limitation of Liability: Except where prohibited by law, 3M will not be liable for any loss or damage arising from the 3M product, whether direct, indirect, special, incidental or consequential, regardless of the legal theory asserted, including warranty, contract, negligence or strict liability.

3M Company  
Electronics Materials Solutions Division  
13011 McCallen Pass, Bldg. C  
Austin, TX 78753-5380  
1-800-225-5373  
[www.3M.com/interconnect](http://www.3M.com/interconnect)



**Electronics Materials Solutions Division**  
**Interconnect Solutions**  
<http://www.3M.com/interconnect>

Please recycle. Printed in USA. ©  
3M 2019. All rights reserved.  
RIA-2217B-E

3M is a trademark of 3M Company.

## Looking for pricing, stock, or lifecycle information?

Click below to explore more details on WIN SOURCE:

 [View 30326-5002HB on WIN SOURCE](#)

 [3M Information](#)

## Optimize Your Supply Chain with WIN SOURCE Solutions

-  Global Sourcing Solution
-  Obsolete Management
-  Cost Control Management
-  Shortage Management
-  Alternative Solution
-  Excess Inventory Management