



THE DATASHEET OF
292164-9




THIS DRAWING IS UNPUBLISHED. RELEASED FOR PUBLICATION
 © COPYRIGHT - By - ALL RIGHTS RESERVED.

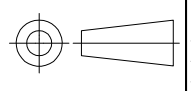
LOC FB	DIST 00	REVISIONS			
P	LTR	DESCRIPTION	DATE	DWN	APVD
	P	REVISED PER ECO-11-005033	29MAR11	RK	HMR

NAME	POS	IN TUBE P/N	QTY'S	CT POST HDR ASS'Y (BOX-H DIP)	COLOR	NAME	POS	IN TUBE P/N	QTY'S	CT POST HDR ASS'Y (BOX-H DIP)	COLOR												
TUBE PACKING AMP CT CONN POST HDR ASS'Y (BOX-H DIP)						TUBE PACKING AMP CT CONN POST HDR ASS'Y (BOX-H DIP)																	
												12		3-292164-2			15		3-292250-2			BLUE	
												11		3-	-1		20		3-	-1			
												10		3-	-0		20		3-	-0			
												9		2-	-9		20		2-	-9			
												8		2-	-8		25		2-	-8			
												7		2-	-7		30		2-	-7			
												6		2-	-6		30		2-	-6			
												5		2-	-5		40		2-	-5			
												4		2-	-4		45		2-	-4			
												3		2-	-3		60		2-	-3			
												2		2-292164-2			80		2-292250-2				
												15		1-292164-5			15		1-292250-5				NATURAL (WHITE)
												14		1-	-4		15		1-	-4			
												13		1-	-3		15		1-	-3			
12		1-	-2		15		1-	-2															
11		1-	-1		20		1-	-1															
10		1-	-0		20		1-	-0															
9			-9		20			-9															
8			-8		25			-8															
7			-7		30			-7															
6			-6		30			-6															
5			-5		40			-5															
4			-4		45			-4															
3			-3		60			-3															
2		292164-2			80		292250-2																

NOTE:
 1. TUBE P/N: 6-720999-1 (P.V.C)
 2. THIS PRODUCT IS IN TUBE PACKING OF P/N 292250


THIS DRAWING IS A CONTROLLED DOCUMENT.

DWN J.JIANG 23JAN03	 TE Connectivity TUBE PACKING AMP CT CONN. POST HDR ASS'Y (BOX-H DIP)			
CHK S.YAO 23JAN03				
APVD T.SASAKI 23JAN03				
PRODUCT SPEC 108-60016				
APPLICATION SPEC	NAME			
WEIGHT	SIZE A3	CAGE CODE 00779	DRAWING NO C-292164	RESTRICTED TO
CUSTOMER DRAWING		SCALE //	SHEET 1 OF 1	REV P

DIMENSIONS: mm	TOLERANCES UNLESS OTHERWISE SPECIFIED:
	0 PLC ± -
	1 PLC ± -
	2 PLC ± -
	3 PLC ± -
	4 PLC ± -
	ANGLES ± -
MATERIAL	FINISH






Looking for pricing, stock, or lifecycle information?

Click below to explore more details on WIN SOURCE:

 [View 292164-9](#) on WIN SOURCE

 [TE Connectivity](#) Information

Optimize Your Supply Chain with WIN SOURCE Solutions

-  Global Sourcing Solution
-  Obsolete Management
-  Cost Control Management
-  Shortage Management
-  Alternative Solution
-  Excess Inventory Management