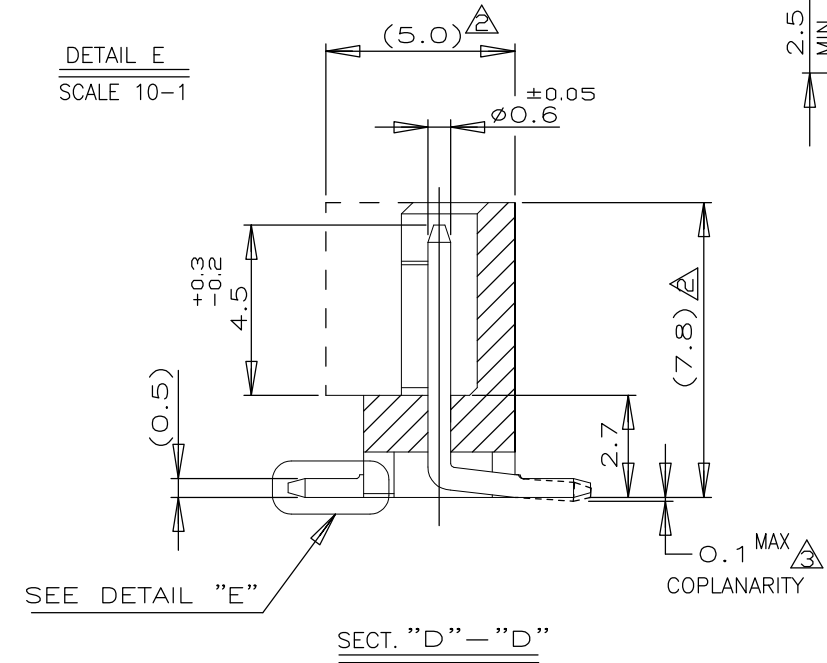
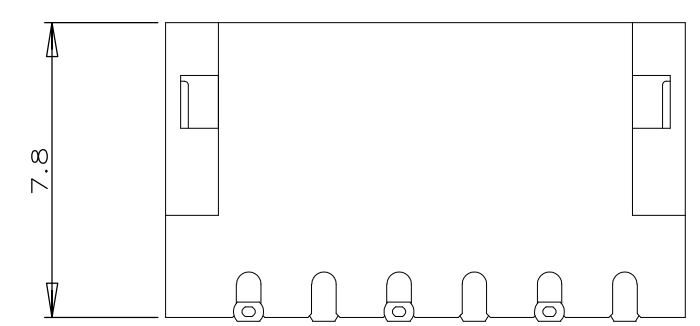
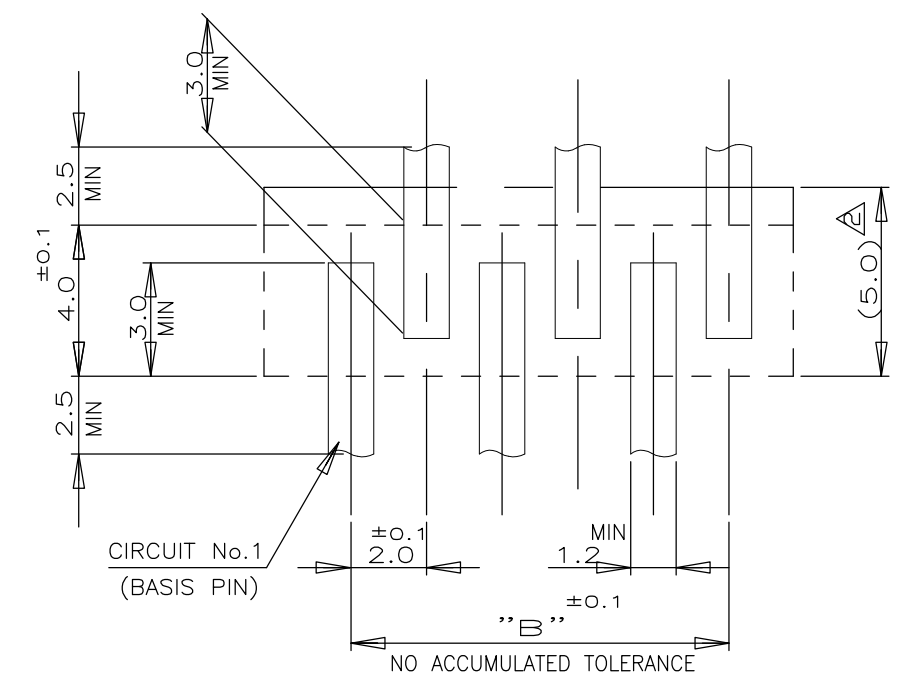
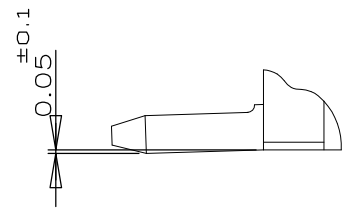
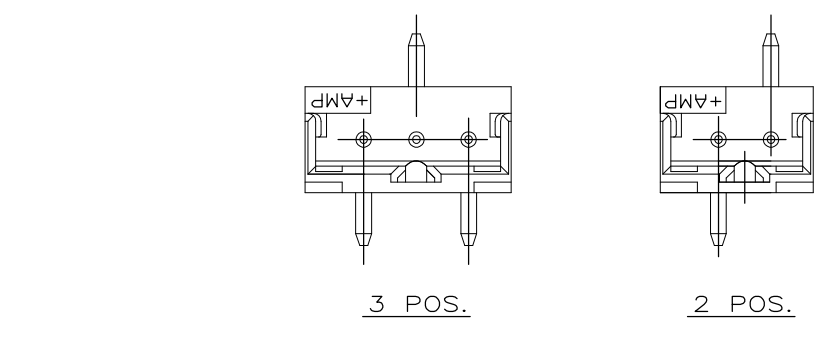
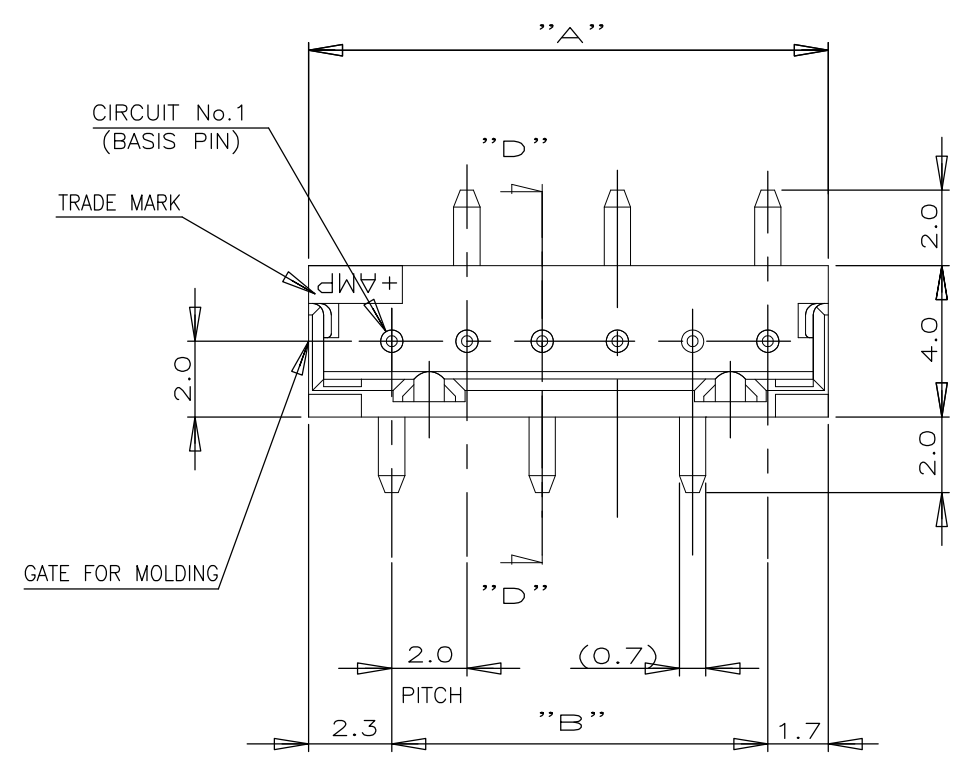


THIS DRAWING IS UNPUBLISHED. RELEASED FOR PUBLICATION
 © COPYRIGHT - By - ALL RIGHTS RESERVED.

LOC	DIST	REVISIONS					
FB	00	P	LTR	DESCRIPTION	DATE	DWN	APVD
			A1	REVISED PER ECO-11-005033	28MAR11	RK	HMR



- NOTES;
- MATERIAL : HOUSING - 6T PA G.F.30% (UL94V-0)
 COLOR BLACK OR NATURAL
 POST - TIN BRASS
 - △ OCCUPANT AREA ON PC BOARD
 (AFTER CONNECTOR MATING)
 - △ TO BE MEASURED WITH CONNECTOR PLACED ON HORIZONTAL DATUM SURFACE, FLOAT OF SOLDER TINE FROM DATUM SURFACE IS 0.1mm MAX
 - PART NUMBER FOR TUBE: 8-720999-6
 - PRODUCT MUST COME OUT SMOOTHLY FROM TUBE AT INCLINING THE TUBE TO 45°

20	20.0	16.0	9	6-292172-9	292172-9
25	18.0	14.0	8	6- ↑ -8	↑ -8
30	16.0	12.0	7	6- ↑ -7	↑ -7
30	14.0	10.0	6	6- ↑ -6	↑ -6
40	12.0	8.0	5	6- ↑ -5	↑ -5
45	10.0	6.0	4	6- ↑ -4	↑ -4
60	8.0	4.0	3	6- ↑ -3	↑ -3
80	6.0	2.0	2	6-292172-2	292172-2
QTY'S/TUBE	"A"	"B"	Pos.	NATURAL	BLACK
				P/N	

TOLERANCES UNLESS OTHERWISE SPECIFIED:

10 > *	±0.2
30 > * > 10	±0.25
100 > * > 30	±0.3
ANGEL	±3°

THIS DRAWING IS A CONTROLLED DOCUMENT.

DWN	J.JIANG	23JAN03
CHK	S.YAO	23JAN03
APVD	T.SASAKI	23JAN03
PRODUCT SPEC	108-60016	
APPLICATION SPEC	108-60016	
WEIGHT	A3 00779 C-292172	
CUSTOMER DRAWING	SCALE	NTS
	SHEET	1 OF 1
	REV	A1

STE TE Connectivity
 TUBE PACKING AMP CT CONN
 POST HDR ASS'Y (STD-V SMT) W/O BOSS

Looking for pricing, stock, or lifecycle information?

Click below to explore more details on WIN SOURCE:

 [View 292172-5 on WIN SOURCE](#)

 [TE Connectivity](#) Information

Optimize Your Supply Chain with WIN SOURCE Solutions

-  Global Sourcing Solution
-  Obsolete Management
-  Cost Control Management
-  Shortage Management
-  Alternative Solution
-  Excess Inventory Management