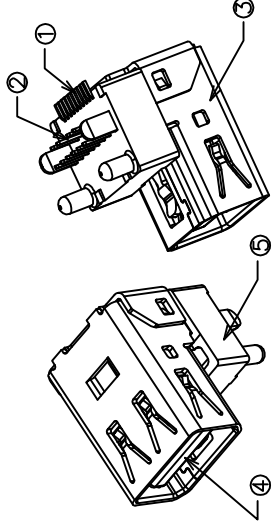
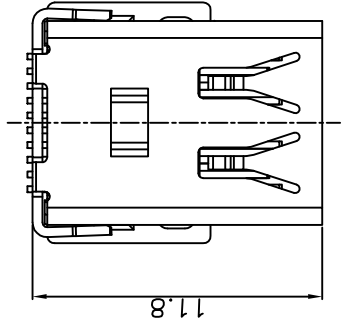




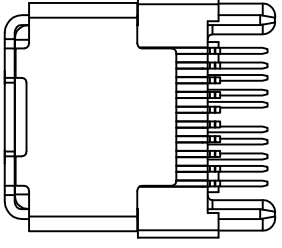
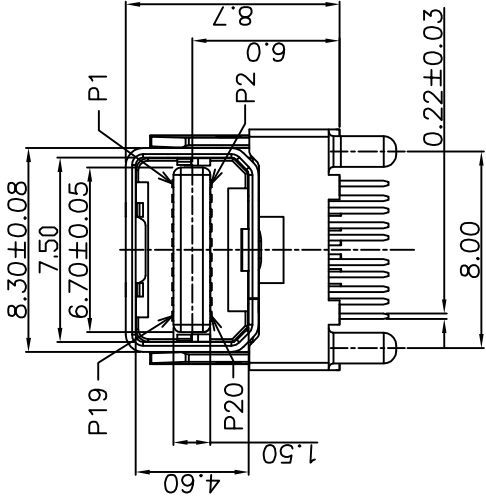
**THE DATASHEET OF  
E9320-001-01**





2.40  
1.90  
1.30  
1.00

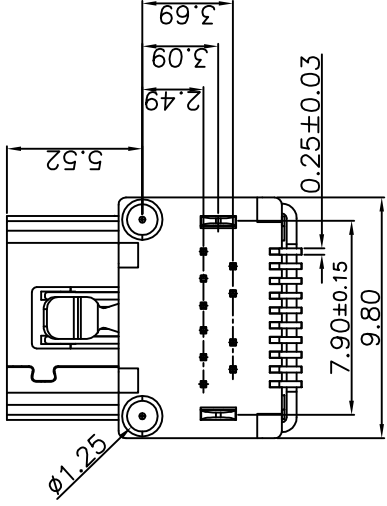
0.50  
2.00  
0.70



NOTE

- ⑤ COVER
- ④ MOLDING
- ③ SHIELD
- ② TERMIN
- ① TERMIN

P/N	FINISH
E9320-001-02	AU 30μ"
E9320-001-01	GOLD FLASH





DATE 11/20	DFTD ROY	DATE
DATE	CHKD	DATE
DATE	APPVL	DATE
MATERIAL :		
QTY :		
FINISH :		
SCALE : 1:1		

TOLERANCES EXCEPT AS NOTED		
MM	±	MM
. ± 0.38	±	
.0 ± 0.85	±	
.00 ± 0.15	±	
X* ±1°		
X*Y* ±0.5°		
THIRD ANGLE PROJECTION		

3 4 5 6 7 8

## Looking for pricing, stock, or lifecycle information?

Click below to explore more details on WIN SOURCE:

-  [View E9320-001-01 on WIN SOURCE](#)
-  [Pulse Information](#)

## Optimize Your Supply Chain with WIN SOURCE Solutions

-  Global Sourcing Solution
-  Obsolete Management
-  Cost Control Management
-  Shortage Management
-  Alternative Solution
-  Excess Inventory Management