



THE DATASHEET OF
6605444-6

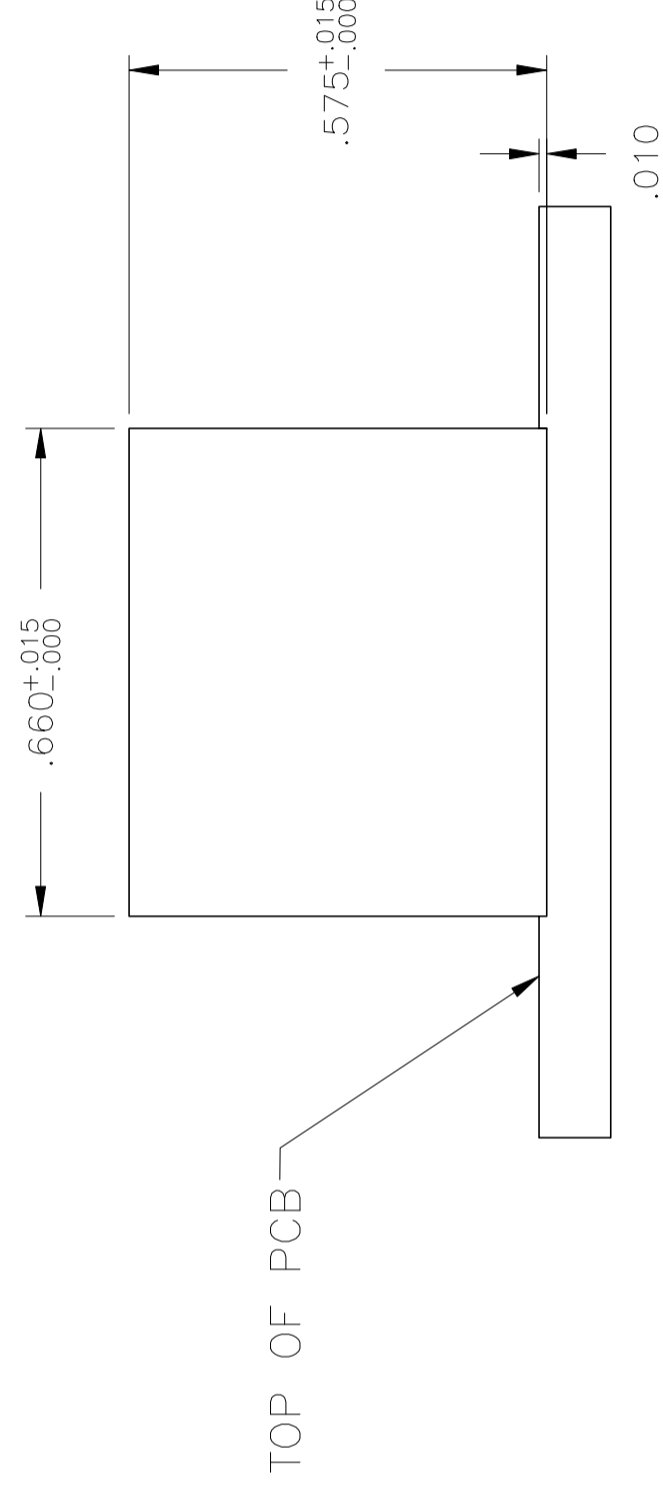
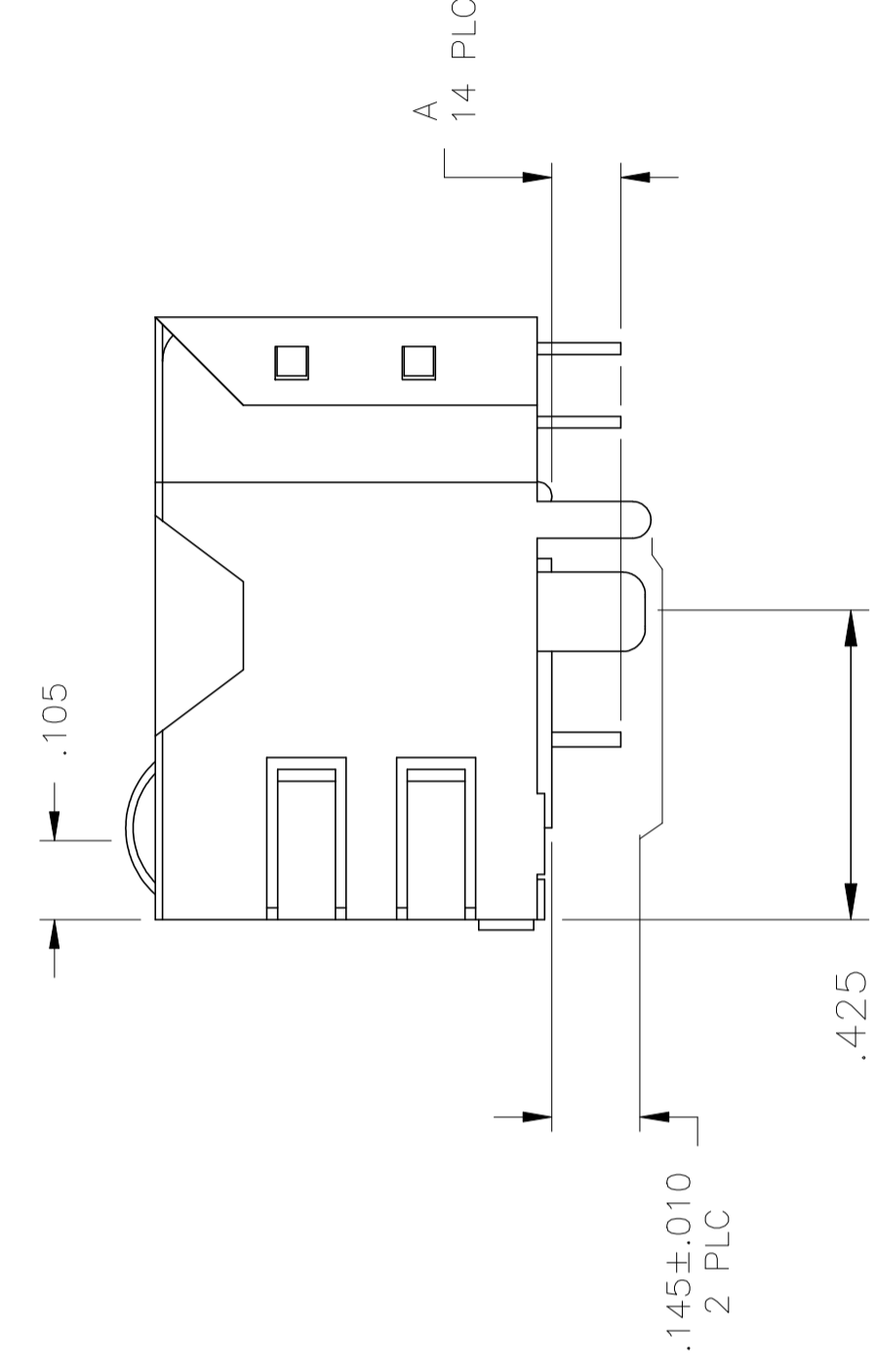
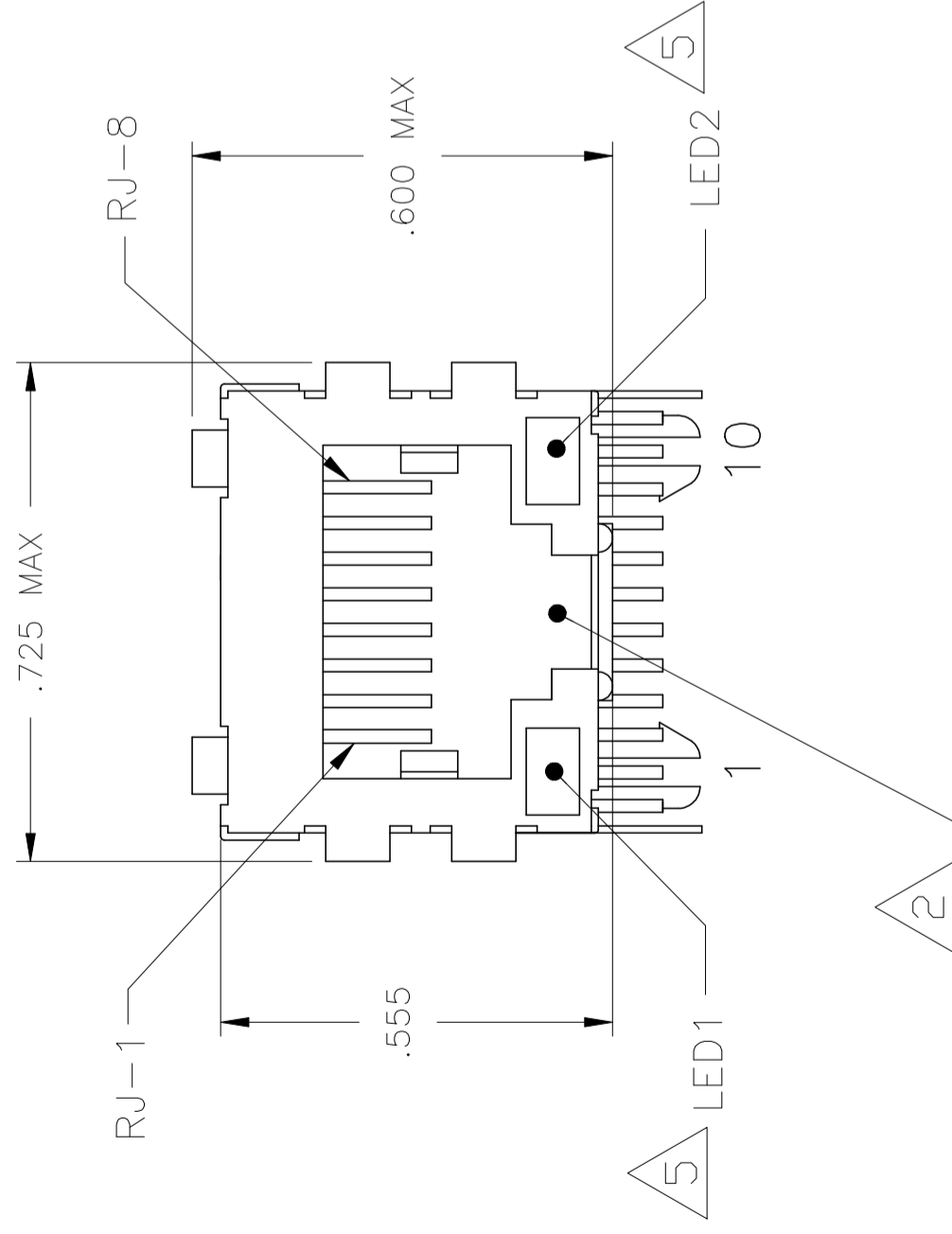
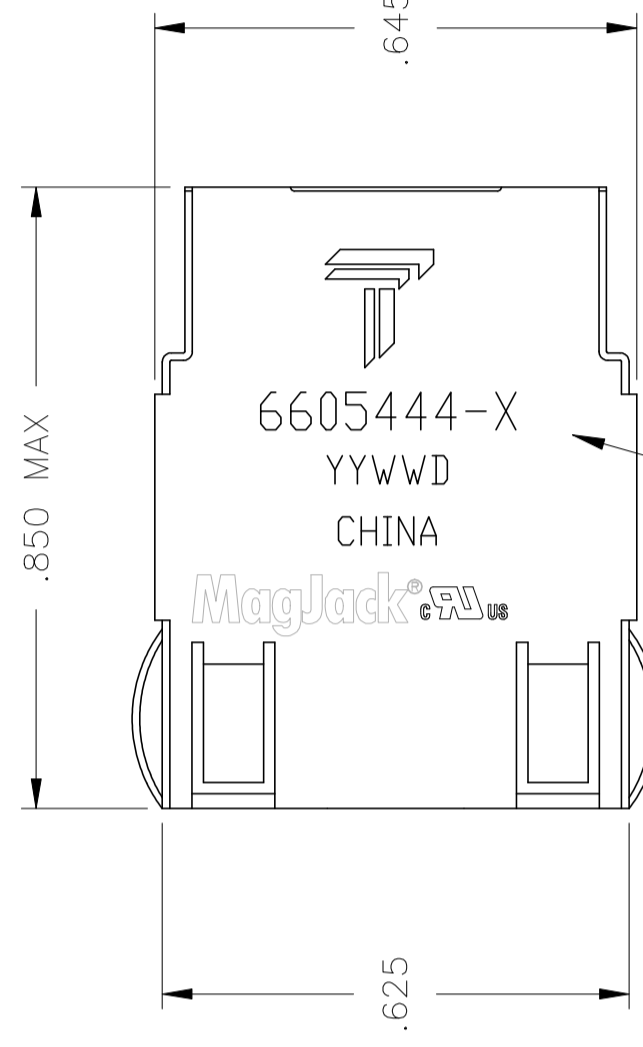


THIS DRAWING AND THE SUBJECT MATTER SHOWN THEREON ARE CONFIDENTIAL AND THE PROPERTY OF BEL/STEWART/TRP CONNECTOR AND SHALL NOT BE REPRODUCED, COPIED, OR USED IN ANY MANNER WITHOUT THE WRITTEN CONSENT OF TRP CONNECTOR.

PRODUCT MAY BE PROTECTED BY ONE OR MORE OF THE FOLLOWING US PATENTS:
 5736910 5939955 6425781 6428361 6554638 6840817 7123117
 7429195 7717749 7808751 8217391 8149050 7924130

MECHANICAL:

- 1 MATERIALS
 HOUSING -
 SHIELD - 0
 NICKEL, SO
 MOD JACK
 GOLD PLAT
 UNDERPLA
 AND 2.54ut
 LIGHT EMIT
 PRE-PLATT
 POST-PLA
- 2 RJ45 JACK
- 3 MAGNETICS
 -IMPEDANC
 -TURNS RA
 -OPEN CIR
 8mADC BI
 -ALL FOUR
 -PERFORM
 INSERT
 RETURN
 CROSS
- 4 COMMON
 -ISOLATION
- 5 OPERATING
 THE 250 OH
 IF THE LED
 IF THE LED
 LED COLOR
- 6 INDICATED
- 7 TRP CONNE
 APPROXIM
 SUNDAY = 1
- 8 THESE PAR
 120 SECON

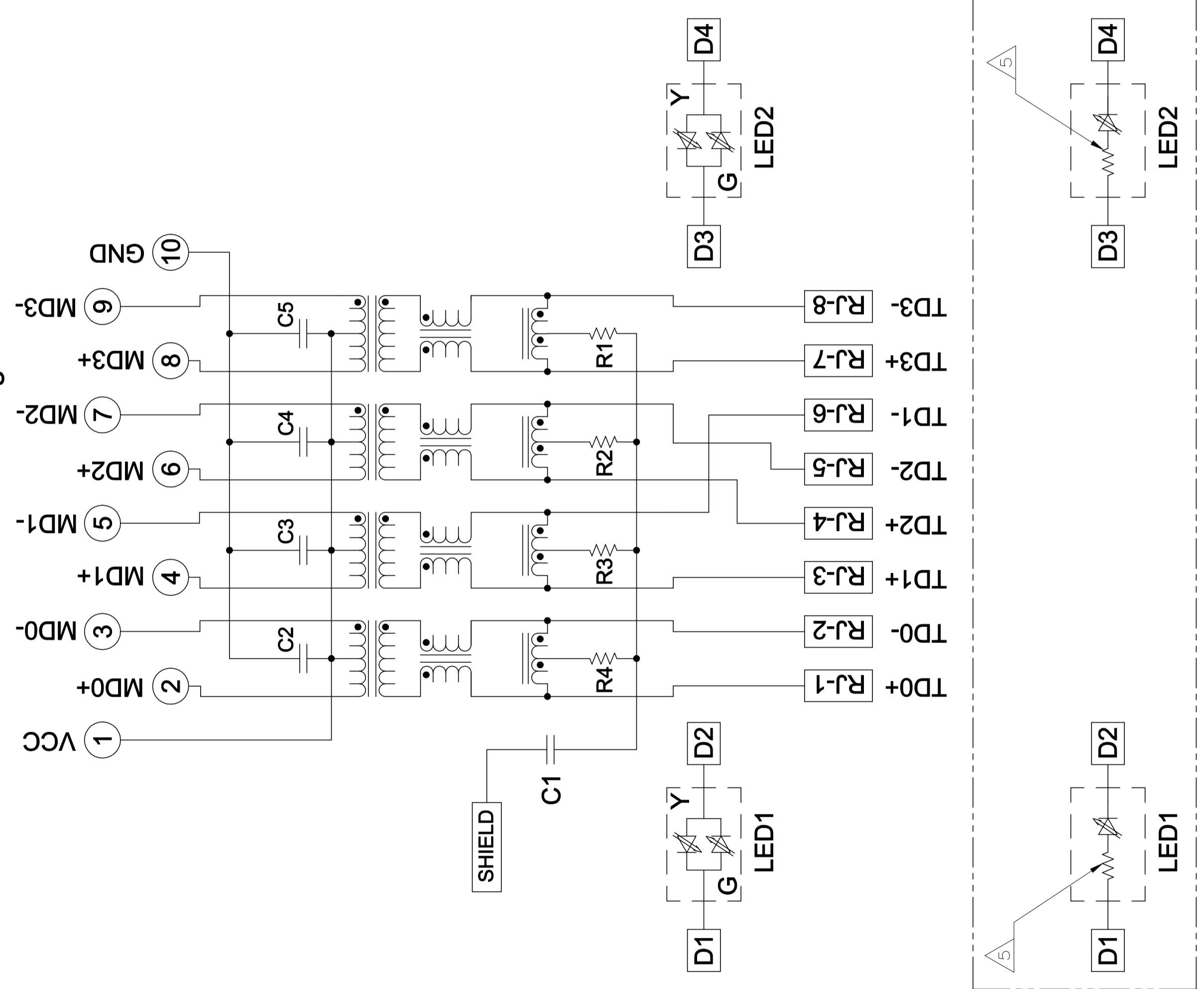


Suggested Panel Cutout

HIGH TEMPERATURE	OBSOLETE
NORMAL TEMPERATURE	OBSOLETE
HIGH TEMPERATURE	OBSOLETE
NORMAL TEMPERATURE	OBSOLETE
NORMAL TEMPERATURE	
NORMAL TEMPERATURE	
NORMAL TEMPERATURE	
NORMAL TEMPERATURE	
HOUSING MATERIAL	

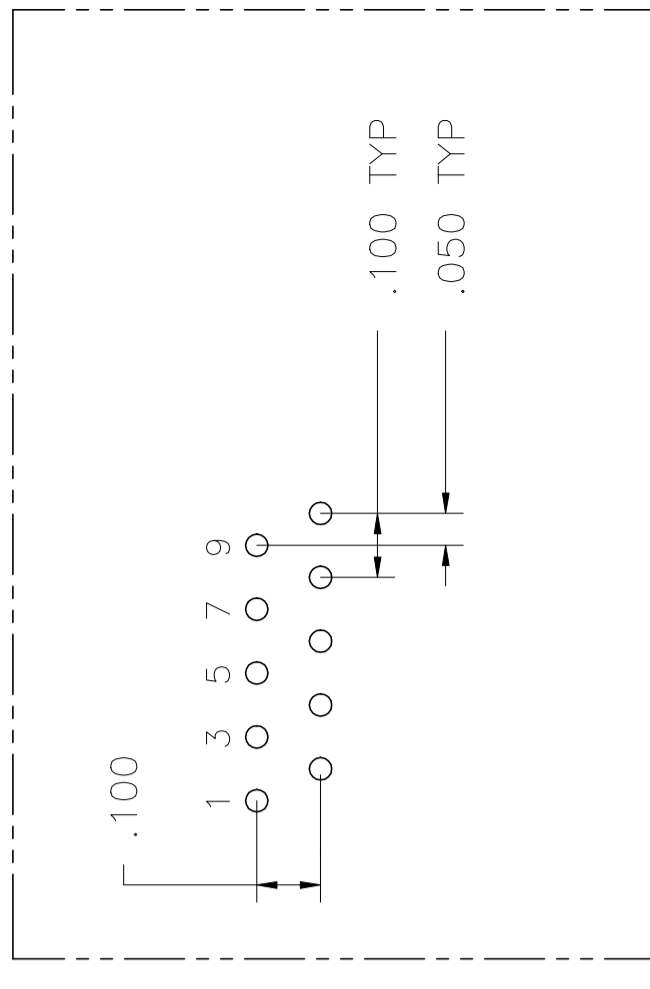
ELECTRICAL:

4G05P1 Series GIGABIT Magnetic Circuit

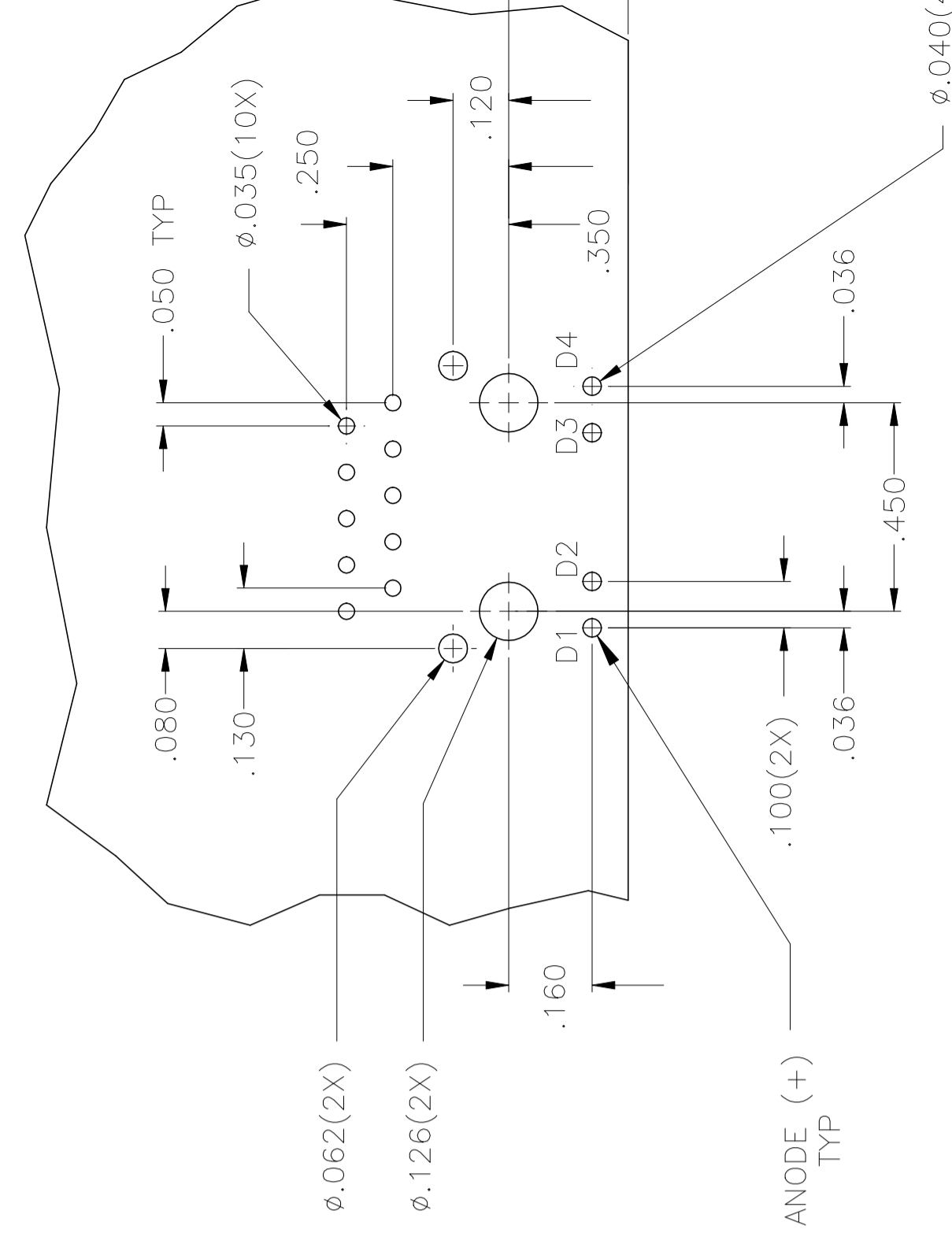


- C1 = 1000 pF, 2kV CAPACITOR**
- R1-R4 = 75 OHMS, 1/16 W RESISTORS**
- C2-C5 = 0.1uF, 50V, X7R CAPACITORS**

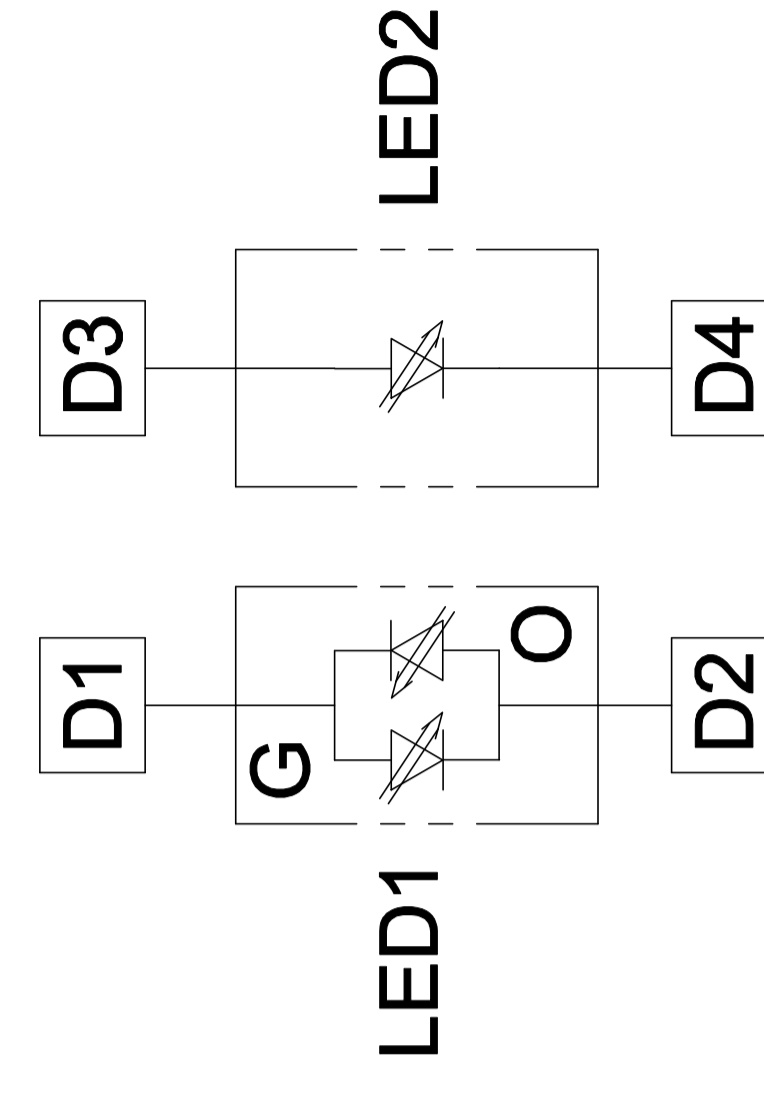
LED CONFIGURATION
For 1-6605444-1 ONLY



Pin Designations



**Suggested PCB Layout
(Component Side)**



LED CONFIGURATION
FOR 1-6605444-3 ONLY

Looking for pricing, stock, or lifecycle information?

Click below to explore more details on WIN SOURCE:

- [View 6605444-6 on WIN SOURCE](#)
- [TRP Connector B.V. Information](#)

Optimize Your Supply Chain with WIN SOURCE Solutions

- ✓ Global Sourcing Solution
- ✓ Obsolete Management
- ✓ Cost Control Management
- ✓ Shortage Management
- ✓ Alternative Solution
- ✓ Excess Inventory Management