



**THE DATASHEET OF  
RR0306S-102-JNH**



## 1/20W, 0201, Thick Film Chip Resistor (Halogen Free)

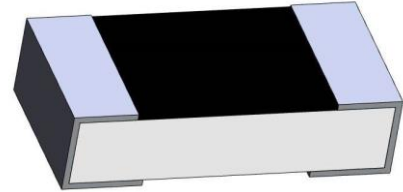
### Reversion History :

Date	Revision	Changes
2007.09.12	A0	New Approval
2008.01.10	A1	
2008.02.29	A2	
2011.10.17	A3	
2012.07.02	A4	
2019.09.17	A5	New Version
2021.01.11	A6	Modify lead free related description

## 1/20W, 0201, Thick Film Chip Resistor (Halogen Free)

### Features / Applications :

- Telecommunication Equipment, Digital Cameras  
Watches, Pocket Calculators, Computers, Instruments
- Halogen Free Epoxy
- RoHS compliant
  - Glass/electrode of resistor with lead free meet RoHS requirements
  - Pb contained in resistive element is exempted by RoHS



### Electrical Specifications :

Power Rating*	Resistance Values Series	Resistance Tolerance	Resistance Range (Ω)	Temperature Coefficient of Resistance ppm /°C (Code)	Operating Temperature Range	Max. Operating Voltage
1/20W	E24 series E96 series	±0.5%(D)	100 ~ 100K	± 200	-55°C to 125°C	25V
		±1%(F)	1.0 ~ 9.76	-200 ~ +600		
			10 ~ 91	± 300		
	E24 series	±5%(J)	1.0 ~ 9.1	-200 ~ +600		
		±2%(G)	10 ~ 91	± 300		
		±5%(J)	100 ~ 10M	± 200		
Jumper	Resistance		Rated current		Operating Temperature Range	
	Below 50mΩ		1A		-55°C to 125°C	

Note: \*Package Power Temperature Derating Curve

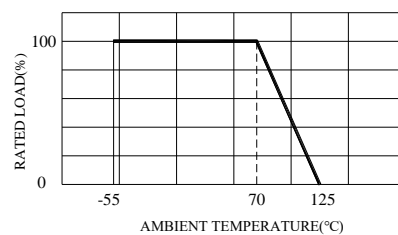


Figure 1. : Power Temperature Derating Curve

Note: \*\*Resistors shall have a rated DC or AC(rms.) continuous operating voltage corresponding to the power rating, as calculated from the following formula

$$V = \sqrt{P \times R}$$

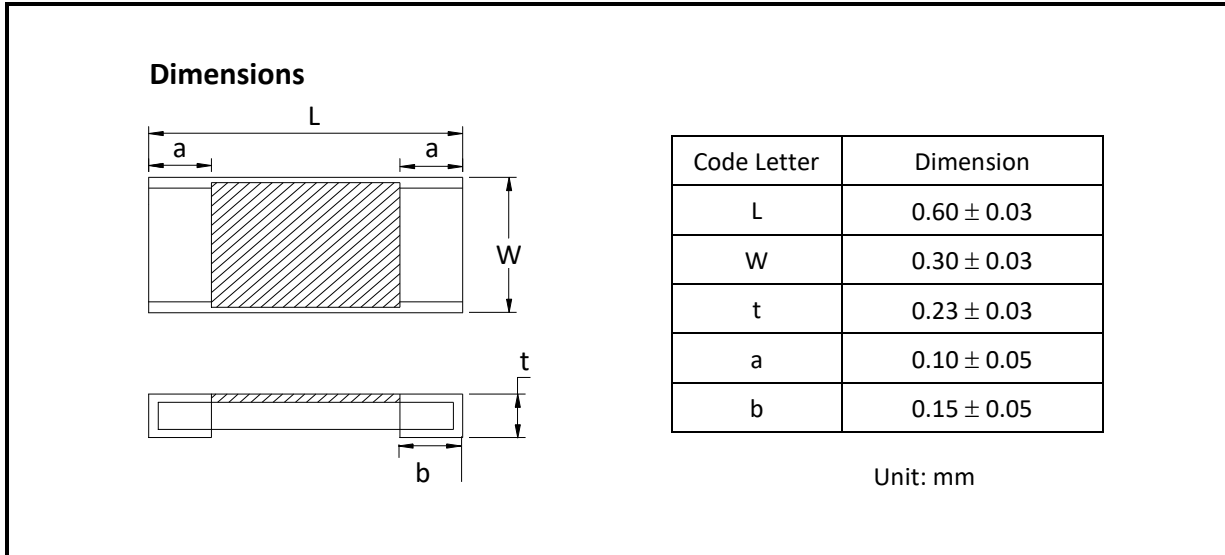
Where V : Rated voltage (V)

P : Rated power (W)

R : Nominal resistance (Ω)

If the voltage so obtained exceeds the maximum operating voltage, this maximum voltage shall be the rated voltage.

## Outline Drawing :



## Type Designation :

RR0306 X - XXXX - X NH  
 (1) (2) (3) (4) (5)

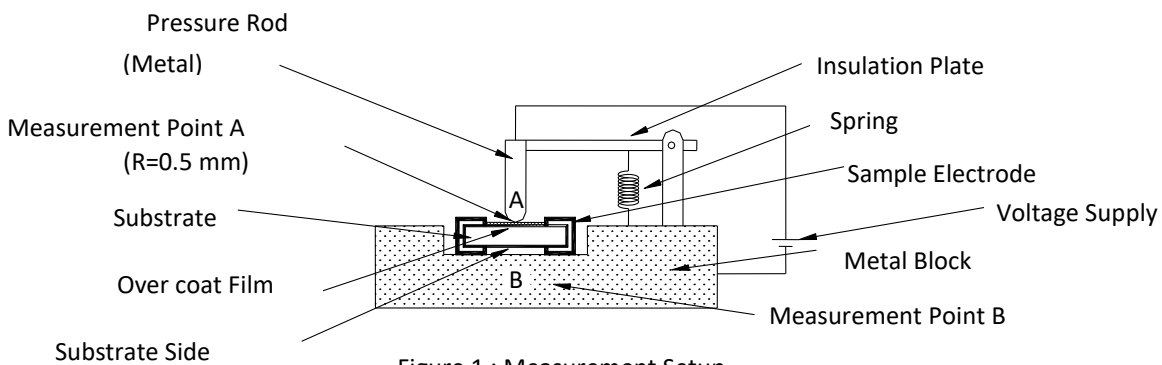
Note :

- (1) Series No.
- (2) TCR: X= Jumper  
Resistor refer to paragraph 2
- (3) Resistance value : 103 =  $10\text{k}\Omega$ (E24) ; 1131 =  $1.13\text{k}\Omega$  (E96)
- (4) Tolerance: D=  $\pm 0.5\%$ , F =  $\pm 1\%$ , J =  $\pm 5\%$
- (5) NH= Sn plating (Lead free / Halogen free)

## Characteristics :

### Electrical

Item	Specification and Requirement		Test Method
	Resistor	Jumper	
Short Time Overload	$\Delta R: +(2\%+ 0.1)\Omega$ Without damage by flashover, spark, arcing, burning or breakdown	Max. 50m $\Omega$	(1) Applied voltage: 2.5 x rated voltage or 2 x maximum operating voltage which ever is less  (2) Test time : 5 seconds
Insulation Resistance	Over 100 M $\Omega$ on Overcoat layer face up Over 1,000 M $\Omega$ on Substrate side face up		(1) Setup as figure 1 (2) Test voltage: 100 V <sub>DC</sub> (3) Test time: 60 + 10 / -0 seconds
Voltage Proof	$\Delta R: +(2\%+ 0.1)\Omega$ Without damage by flashover, spark, arcing, burning or breakdown	Max. 50m $\Omega$	(1) Setup as figure 1 (2) Test voltage: 100 V <sub>AC</sub> (rms.) (3) Test time: 60 +10 / -0 seconds



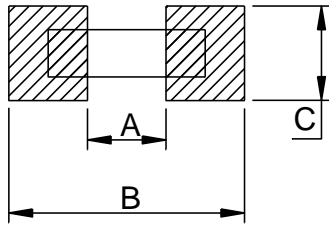
## Mechanical

Item	Specification and Requirement		Test Method (JIS 5201)
	Resistor	Jumper	
Solderability	The surface of terminal immersed shall be minimum of 95% covered with a new coating of solder		Solder bath: After immersing in flux, dip in $245 \pm 5^{\circ}\text{C}$ molten solder bath for $2 \pm 0.5$ seconds
Resistance to Solder Heat	$\Delta R: \pm(1\% + 0.05\Omega)$ Without distinct deformation in appearance	Max. $50\text{m}\Omega$	(1) Immersed at solder bath of $270 \pm 5^{\circ}\text{C}$ for $10 \pm 1$ seconds (2) Measuring resistance 1 hour after test
Vibration	$\Delta R: \pm(0.5\% + 0.05\Omega)$ Without mechanical damage such as break		(1) Vibration frequency: 10Hz to 55Hz in 60 seconds as a period (2) Vibration time: period cycled for 2 hours in each of 3 mutual perpendicular direction total. (3) Amplitude: 1.5mm
Shock	$\Delta R: \pm(0.25\% + 0.05\Omega)$ Without mechanical damage such as break		(1) Peak value: 490N (2) Duration of pulse: 11ms (3) 3 times in each positive and negative direction of 3 mutual perpendicular directions
Bending Test	$\Delta R: \pm(1\% + 0.05\Omega)$ Without mechanical damage such as break		Bending value : 3mm for $30 \pm 1$ seconds
Solvent Resistance	Without mechanical and distinct damage in appearance	Max. $50\text{m}\Omega$	(1) Solvent: Trichloroethane or Isopropyl alcohol (2) Immersed in solvent at room temperature for 90 seconds

## Endurance

Item	Specification and Requirement		Test Method (JIS 5201)
	Resistor	Jumper	
Rapid change of Temperature	$\Delta R: \pm(1\% + 0.05\Omega)$ Without distinct damage in appearance	Max. 50m $\Omega$	(1) Repeat 5 cycle as follow: (-55 $\pm$ 3 $^{\circ}$ C,30minutes) →(Room temperature, 2~3 minutes) →(+125 $\pm$ 2 $^{\circ}$ C,30minutes)→ (Room temperature, 2~3 minutes) (2) Measuring resistance 1 hour after test
Moisture with Load	$\Delta R: \pm(5\% + 0.1\Omega)$ Without distinct damage in appearance Marking should be legible	Max. 50m $\Omega$	(1) Environment condition: 40 $\pm$ 2 $^{\circ}$ C,90~95% RH (2) Applied Voltage: rated voltage (3) Test period: (1.5 hour ON) → (0.5 hour OFF) cycled for total 1,000 + 48 / - 0 hours (4) Measuring resistance 1 hour after test
Load Life	$\Delta R: \pm(5\% + 0.1\Omega)$ Without distinct damage in appearance	Max. 100m $\Omega$	(1) Test temperature: 70 $\pm$ 2 $^{\circ}$ C (2) Applied Voltage: rated Voltage (3) Test period: (1.5 hour ON) → (0.5 hour OFF) cycled for total 1,000 + 48 / - 0 hours (4) Measuring resistance 1 hour after test
Low Temperature Store	$\Delta R: \pm(5\% + 0.1\Omega)$ Without distinct damage in appearance	Max. 100m $\Omega$	(1) Store temperature: -55 $\pm$ 3 $^{\circ}$ C for total 1,000 + 48 / - 0 hours (2) Measuring resistance 1 hour after test
High Temperature Store	$\Delta R: \pm(5\% + 0.1\Omega)$ Without distinct damage in appearance	Max. 100m $\Omega$	(1) Store temperature: -125 $\pm$ 2 $^{\circ}$ C for total 1,000 + 48 / - 0 hours (2) Measuring resistance 1 hour after test

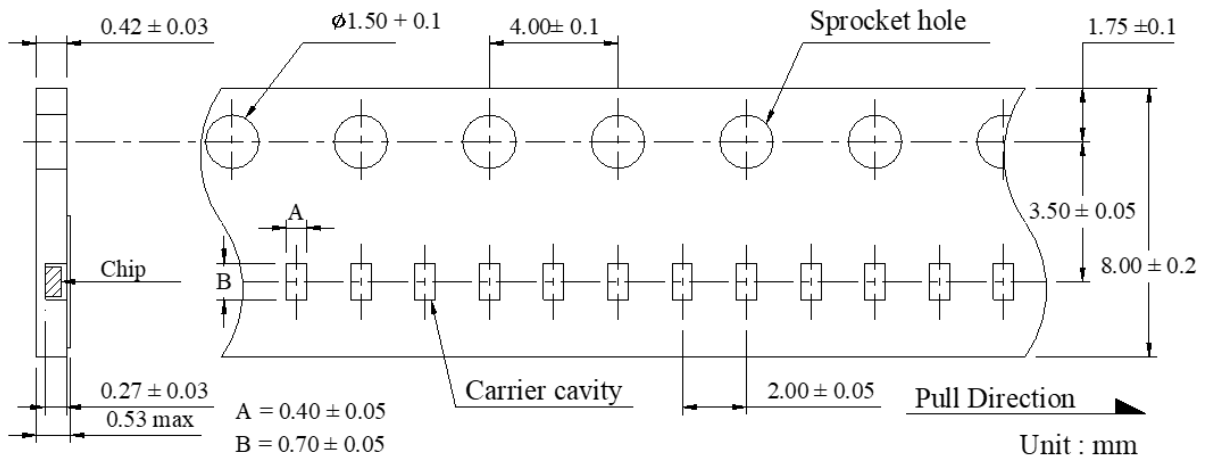
Recommend Land Pattern Dimensions :



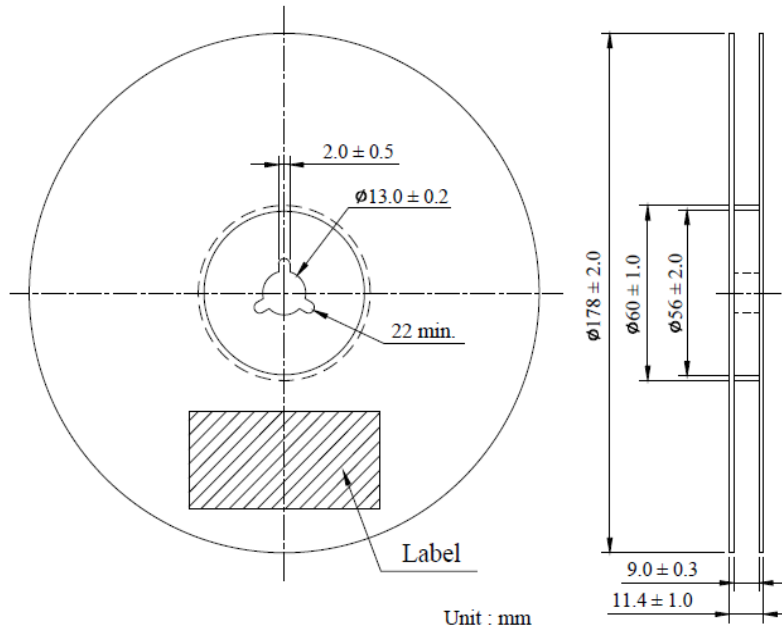
A	0.3
B	1.0
C	0.3~0.7

Unit:mm

TAPE PACKAGING DIMENSIONS:



## REEL DIMENSIONS:



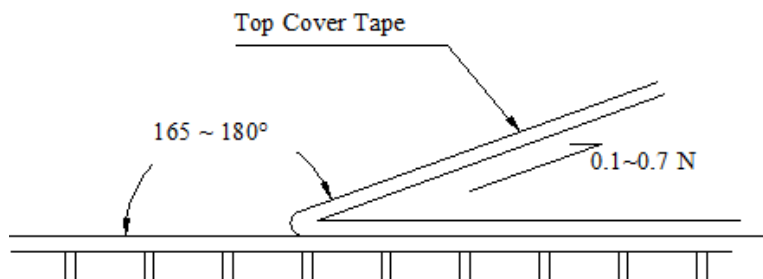
Numbers of Taping: 10,000 pieces/reel

The following items shall be marked on the reel.

- (1) Type designation.
- (2) Quantity
- (3) Manufacturing date code
- (4) Manufacturer's name

Peel force of top cover tape

The peel speed shall be about 300 mm/min. The peel force of top cover tape shall be between 0.1 to 0.7 N.



## Care Note :

### Care note for storage



- (1) Chip resistor shall be stored in a room where temperature and humidity must be controlled.  
(temperature 5 to 35°C, humidity 45 to 85% RH) However, a humidity keep it low, as it is possible.
- (2) Chip resistor shall be stored as direct sunshine doesn't hit on it.
- (3) Chip resistor shall be stored with no moisture, dust, a material that will make solder ability inferior, and a harmful gas (Hydrogen chloride, sulfurous acid gas, and Hydrogen sulfide)

### Care note for operating and handling

- (1) It is necessary to protect the edge and protection coat of resistors from mechanical stress.
- (2) Handle with care when printing circuit board (PCB) is divided or fixed on support body, because bending of printing circuit board (PCB) mounting will make mechanical stress for resistors.
- (3) Resistors shall be used with in rated range shown in specification. Especially, if voltage more than specified value will be loaded to resistor, there is a case it will make damage for machine because of temperature rise depending on generating of heat, and increase resistance value or breaks.
- (4) In case that resistor is loaded a rated voltage, it is necessary to confirms temperature of a resistor and to reduce a load power according to load reduction curve, because a temperature rise of a resistor depends on influence of heat from mounting density and neighboring element.
- (5) Observe Limiting element voltage and maximum overload voltage specified in each specification.
- (6) If there is possibility that a large voltage (pulse voltage, shock voltage) charge to resistor, it is necessary that operating condition shall be set up before use.

## Looking for pricing, stock, or lifecycle information?

Click below to explore more details on WIN SOURCE:

-  [View RR0306S-102-JNH on WIN SOURCE](#)
-  [Cyntec Information](#)

## Optimize Your Supply Chain with WIN SOURCE Solutions

-  Global Sourcing Solution
-  Obsolete Management
-  Cost Control Management
-  Shortage Management
-  Alternative Solution
-  Excess Inventory Management