



**THE DATASHEET OF
JXR0-0011NL**



STIC MATERIAL WITH FLAMMABILITY

-INCH GOLD PLATING.

OSPHOR BRONZE

ICKEL

NCHES 100% TIN, MATTE FINISH.

S ON COPPER ALLOY.

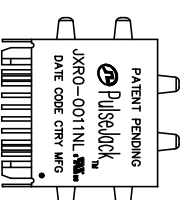
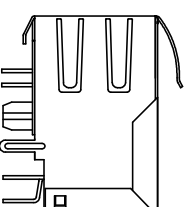
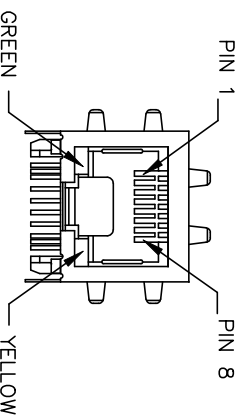
C PART 68 SUBPART.

: TO +125°C

LITY AT 245°C DIP AND LOOK TEST

O MOISTURE SENSITIVE

EMPERATURE 245°C MAX/8 SECONDS



FINAL OUTLINE

electronics Corp. All rights reserved. Pulse confidential & proprietary. (07/24/18)

TLA DRAWING	PS DRAWING	SHEET	PART NO.	DATASHEET REV.
JXRO-0011NL-12	PS-2163.001-G	1 OF 4	JXRO-0011NL	A

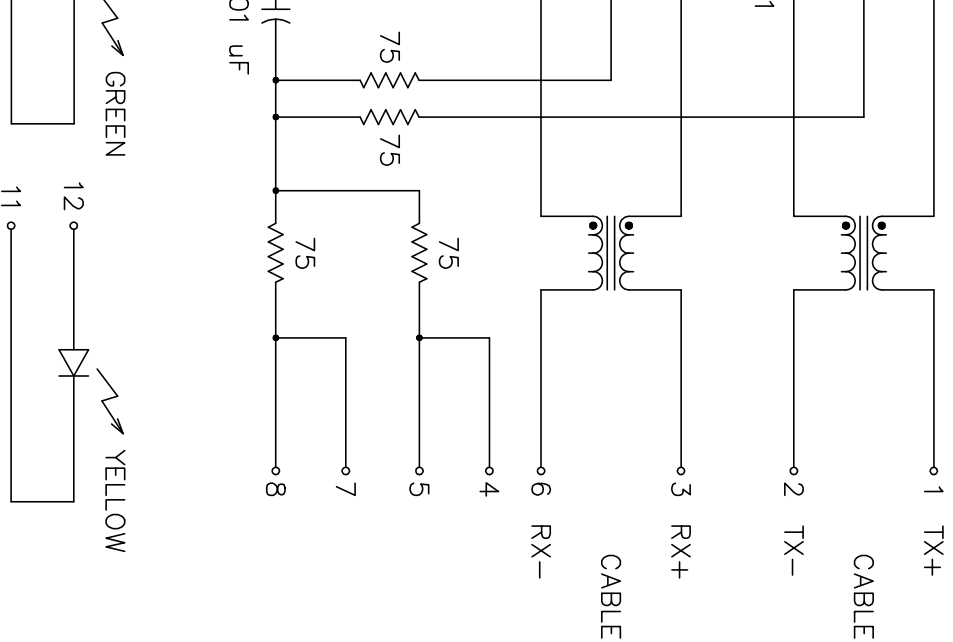
ELECTRICAL CHARACTERISTICS AT +25°C UNLESS OTHERWISE SPECIFIED
(FOR REFERENCE ONLY. USED FOR CUSTOMER INFORMATION.)

PARAMETER	SPECIFICATIONS		
OPERATING TEMP	-40°C TO +85°C		
TURNS RATIO	1.00 ± 2%		
POLARITY	PER SCHEMATIC		
INSERTION LOSS	100 KHz	1-125 MHz	
	-1.2 dB MAX	-0.2-0.002*f ^{1.4} dB MAX	
RETURN LOSS (Z OUT = 100 OHM±15%)	.1-30 MHz	30-60 MHz	60-80 MHz
	-16 dB MIN	-10+20*log ₁₀ (f/60 MHz) dB MIN	-10 dB MIN
INDUCTANCE (OCL) (MEDIA SIDE, -40°C~+85°C)	350 uH MIN	(MEASURED AT 100 KHz, 100 mV _{RMS}) (AND WITH 8 mA DC BIAS)	
	1 MHz	10-100 MHz	
CROSSTALK - ADJACENT CHANNELS	-50 dB MIN	-50+17*log ₁₀ (f/10) dB MIN	
	2 MHz	30-200 MHz	
COMMON MODE REJECTION RATIO	-50 dB MIN	-15+20*log ₁₀ (f/200) dB MIN	
DC RESISTANCE 1/2 WINDING	.60 OHMS MAX		
DC RESISTANCE IMBALANCE	±.065 OHMS MAX (CENTER TAP SYMMETRY)		
INPUT - OUTPUT ISOLATION	2250 VDC MIN @ 60 SECONDS		

NOTE: f IS FREQUENCY IN MHZ.

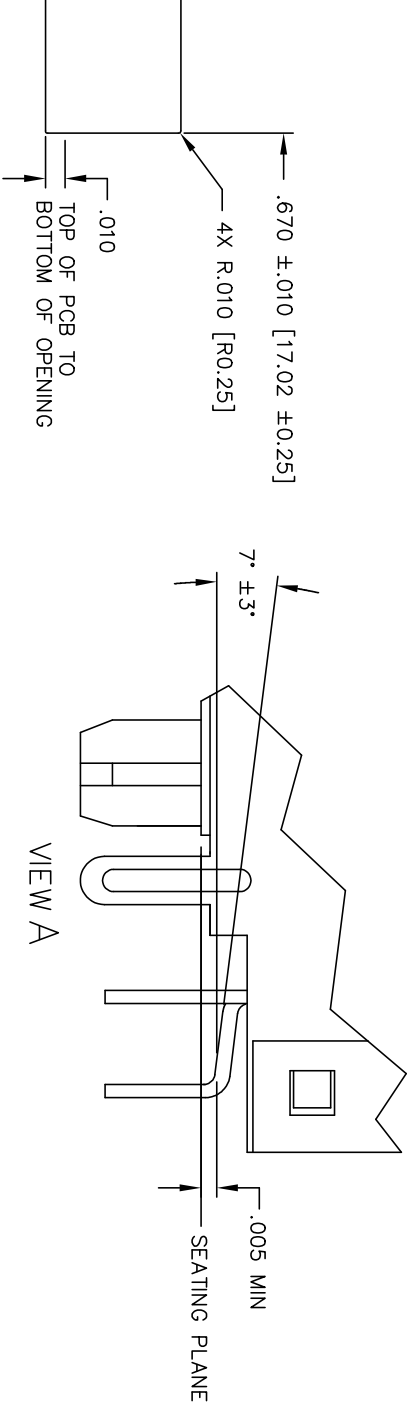
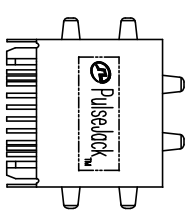
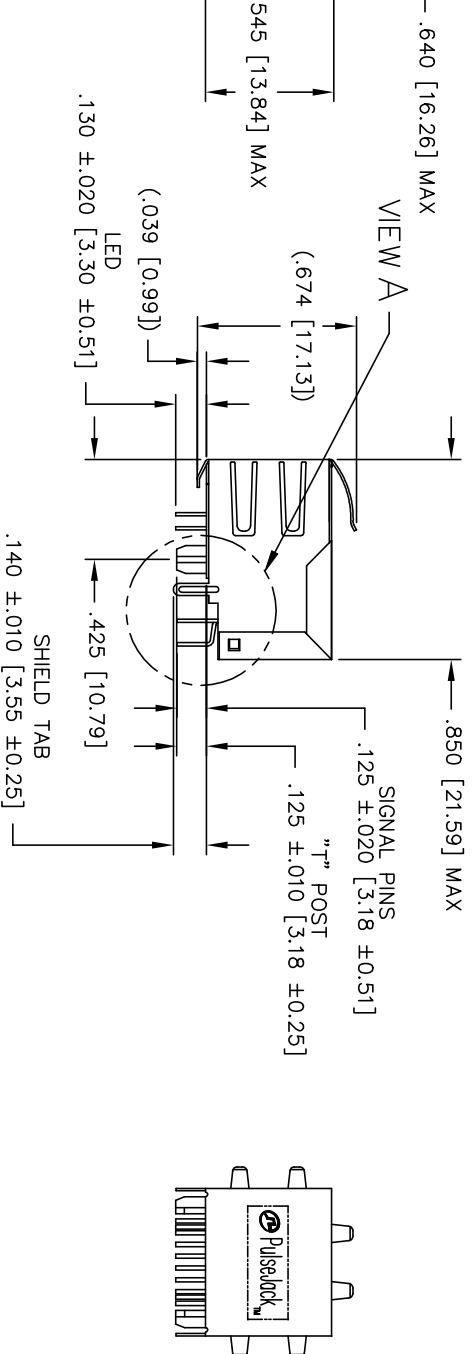
EMITTED COLOR	GREEN	YELLOW
WAVELENGTH (nm)	565 nm	590 nm
BRIGHTNESS (mcd)	1.8 TO 6 TYP. @ 10mA	1.8 TO 4 TYP. @ 10 mA
VIEWING ANGLE	110°	110°
POWER DISSIPATION (Pd)	105 mW MAX	105 mW MAX
PEAK FORWARD CURRENT (10 us PULSE)	140 mA MAX	140 mA MAX
FORWARD VOLTAGE (Vf)	2.2 TO 2.5 V	2.15 V TYP

NOTE: PER VENDOR'S SPECIFICATIONS



onics Corp. All rights reserved. Pulse confidential & proprietary. (07/24/18)

TLA DRAWING	PS DRAWING	SHEET	PART NO.	DATASHEET REV.
JXR0-0011NL-12	PS-2163.001-G	2 OF 4	JXR0-0011NL	A



DIMETERS] WITH THE FOLLOWING
RE FOR REFERENCE ONLY.

electronics Corp. All rights reserved. Pulse confidential & proprietary. (07/24/18)

TLA DRAWING	PS DRAWING	SHEET	PART NO.	DATASHEET REV.
JXRO-0011NL-12	PS-2163.001-G	3 OF 4	JXRO-0011NL	A

Looking for pricing, stock, or lifecycle information?

Click below to explore more details on WIN SOURCE:

 [View JXR0-0011NL on WIN SOURCE](#)

 [Pulse Information](#)

Optimize Your Supply Chain with WIN SOURCE Solutions

-  Global Sourcing Solution
-  Obsolete Management
-  Cost Control Management
-  Shortage Management
-  Alternative Solution
-  Excess Inventory Management