



**THE DATASHEET OF
MAL223051003E3**



Electrical Double Layer Energy Storage Capacitors Up to 3 V Operating Voltage

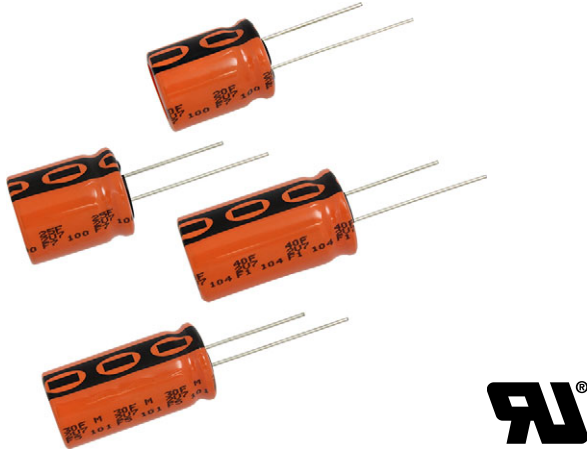


Image is not to scale

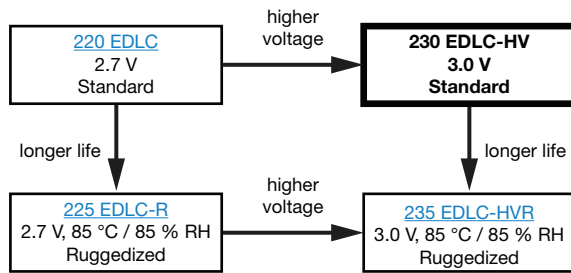


Fig. 1

QUICK REFERENCE DATA	
DESCRIPTION	VALUE
Nominal case sizes (Ø D x L in mm)	10 x 20; 10 x 25; 10 x 30; 12.5 x 20; 12.5 x 25; 12.5 x 30; 12.5 x 40; 16 x 20; 18 x 20; 16 x 25; 18 x 25; 16 x 31; 18 x 31 , 18 x 35, 18 x 40
Rated capacitance range, C _R	5 F to 60 F
Rated voltage, U _R (65 °C / 85 °C)	3.0 V / 2.6 V
Category temperature range	-40 °C to +85 °C
Endurance test at 85 °C	Up to 1000 h
Useful life at 85 °C	Up to 2000 h
Useful life at 20 °C	> 10 years
Shelf life at 20 °C	2 years
Cycle life	> 500 000 cycles

FEATURES

- Polarized energy storage capacitor with high capacity and energy density
- Rated voltage: 3.0 V
- Available in through-hole (radial) version
- Useful life: up to 2000 h at 85 °C
- Rapid charge and discharge
- Maintenance-free, no service necessary
- AEC-Q200 qualified (except biased humidity test)
- UL 810A recognized
- Material categorization: for definitions of compliance please see www.vishay.com/doc?99912


**RoHS
COMPLIANT**

APPLICATIONS

- Power backup
- Burst power support
- Storage device for energy harvesting
- Micro UPS power source
- Energy recovery

MARKING

The capacitors are marked (where possible) with the following information:

- Rated capacitance (in F)
- Rated voltage (in V)
- Date code, in accordance with IEC 60062
- Code indicating factory of origin
- Logo of manufacturer
- Negative terminal identification
- Series number (230)

PACKAGING

Supplied loose in box, taped ammo, or in ESD trays.

SELECTION CHART FOR C_R, U_R, AND RELEVANT NOMINAL CASE SIZES	
C_R (F)	U_R (V) = 3.0 V
5	10 x 20
7	10 x 25
8	12.5 x 20
10	10 x 30
12	12.5 x 25
15	12.5 x 30
20	16 x 20
22	12.5 x 40
25	16 x 25; 18 x 20
30	18 x 25
35	16 x 31
40	18 x 31 ⁽¹⁾
50	18 x 35
60	18 x 40

Note

(1) Preferred case size

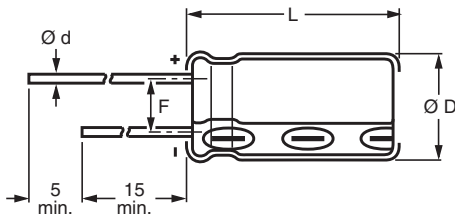
DIMENSIONS in millimeters AND AVAILABLE FORMS


Fig. 2 - Form CA / TRAY: long leads

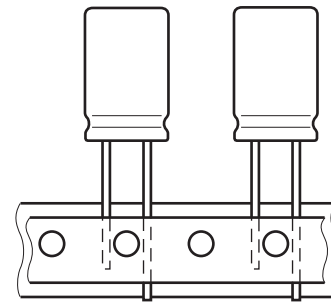


Fig. 3 - Form TFA: taped in box (ammopack)

Table 1

DIMENSIONS in millimeters, MASS, AND PACKAGING QUANTITIES									
NOMINAL CASE SIZE $\varnothing D \times L$	CASE CODE	$\varnothing d$	$\varnothing D_{max}$	L_{max}	F	MASS (g)	PACKAGING QUANTITIES		
							FORM CA	FORM TFA	FORM TRAY
10 x 20	16	0.6	10.5	22	5.0 ± 0.5	≈ 2.2	500	800	-
10 x 25	16L	0.6	10.5	27	5.0 ± 0.5	≈ 3.0	500	800	-
10 x 30	16LL	0.8	10.5	32	5.0 ± 0.5	≈ 3.5	500	800	-
12.5 x 20	17	0.6	13.0	22	5.0 ± 0.5	≈ 4.0	500	500	-
12.5 x 25	18	0.6	13.0	27	5.0 ± 0.5	≈ 5.0	250	500	-
12.5 x 30	18L	0.8	13.0	33.5	5.0 ± 0.5	≈ 5.5	250	500	-
12.5 x 40	18LL	0.8	13.0	42.5	5.0 ± 0.5	≈ 7.0	250	500	-
16 x 20	19a	0.8	16.5	22	7.5 ± 0.5	≈ 6.0	250	250	200
16 x 25	19	0.8	16.5	27	7.5 ± 0.5	≈ 8.0	250	250	200
18 x 20	1820	0.8	18.5	22	7.5 ± 0.5	≈ 7.0	100	250	200
18 x 25	1825	0.8	18.5	27	7.5 ± 0.5	≈ 10.0	100	250	200
16 x 31	20	0.8	16.5	33.5	7.5 ± 0.5	≈ 9.0	100	250	200
18 x 31	1831	0.8	18.5	33.5	7.5 ± 0.5	≈ 12.5	100	250	200
18 x 35	22	0.8	18.5	37.5	7.5 ± 0.5	≈ 14.5	100	250	200
18 x 40	1840	0.8	18.5	42.5	7.5 ± 0.5	≈ 16.5	100	-	150



ELECTRICAL DATA	
SYMBOL	DESCRIPTION
C_R	Rated capacitance, tolerance -20 % / +50 %
I_P	Max. peak current
I_L	Max. leakage current after 0.5 h / 72 h at U_R

Note

- Unless otherwise specified, all electrical values in Table 2 apply at $T_{amb} = 20\text{ °C}$, $P = 86\text{ kPa}$ to 106 kPa and $RH = 45\text{ %}$ to 75 %

ORDERING EXAMPLE

Capacitor series 230 EDLC-HV

40 F / 3.0 V

Nominal case size: $\varnothing 18\text{ mm} \times 31\text{ mm}$; Form TRAY

Ordering code: MAL223091001E3

Table 2

ELECTRICAL DATA AND ORDERING INFORMATION																	
U_R (V)	U_{MT} ⁽¹⁾ (V)	U_{CT} ⁽²⁾ (V)	U_S (V) ($< 1\text{ s}$)	C_R ⁽³⁾ (F)	NOMINAL CASE SIZE $\varnothing D \times L$ (mm)	MAX. ESR _{DC} ⁽³⁾ INITIAL (m Ω)	MAX. ESR _{AC} INITIAL, 1 kHz (m Ω)	I_P MAX. PEAK CURRENT (A)		I_L MAX. LEAKAGE CURRENT AFTER 72 h (μA)	STORED ENERGY E AT U_R (Wh)		SPECIFIC ENERGY E _d AT U_R (Wh/kg)		ORDERING CODE MAL2230.....		
								65 °C	85 °C		65 °C	85 °C	65 °C	85 °C	FORM CA	FORM TFA	FORM TRAY
3.0	2.8	2.6	3.15	5	10 x 20	74	37	12	10	25	0.006	0.005	2.8	2.1	51011E3	31011E3	-
3.0	2.8	2.6	3.15	7	10 x 25	60	30	12	10	35	0.009	0.007	2.9	2.2	51012E3	31012E3	-
3.0	2.8	2.6	3.15	8	12.5 x 20	58	29	15	12	40	0.010	0.008	2.5	1.9	51014E3	31014E3	-
3.0	2.8	2.6	3.15	10	10 x 30	46	24	15	12	45	0.013	0.009	3.6	2.7	51013E3	31013E3	-
3.0	2.8	2.6	3.15	12	12.5 x 25	41	23	17	14	55	0.015	0.011	3.0	2.3	51015E3	31015E3	-
3.0	2.8	2.6	3.15	15	12.5 x 30	34	20	20	17	70	0.019	0.014	3.4	2.6	51016E3	31016E3	-
3.0	2.8	2.6	3.15	20	16 x 20	38	22	25	20	75	0.025	0.019	4.2	3.1	51003E3	31003E3	91003E3
3.0	2.8	2.6	3.15	22	12.5 x 40	26	15	25	20	75	0.028	0.021	3.9	3.0	51017E3	31017E3	-
3.0	2.8	2.6	3.15	25	16 x 25	34	20	25	20	75	0.031	0.023	3.9	2.9	51006E3	31006E3	91006E3
3.0	2.8	2.6	3.15	25	18 x 20	36	19	25	20	75	0.031	0.023	4.5	3.4	51004E3	31004E3	91004E3
3.0	2.8	2.6	3.15	30	18 x 25	26	17	30	25	140	0.038	0.028	3.8	2.8	51007E3	31007E3	91007E3
3.0	2.8	2.6	3.15	35	16 x 31	24	18	30	25	200	0.044	0.033	4.9	3.7	51002E3	31002E3	91002E3
3.0	2.8	2.6	3.15	40	18 x 31	24	16	35	30	200	0.050	0.038	4.0	3.0	51001E3	31001E3	91001E3
3.0	2.8	2.6	3.15	50	18 x 35	22	14	35	30	250	0.063	0.047	4.3	3.2	51008E3	31008E3	91008E3
3.0	2.8	2.6	3.15	60	18 x 40	22	13	35	30	300	0.075	0.056	4.5	3.4	51009E3	-	91009E3

Notes

- (1) U_{MT} = rated voltage at 75 °C
- (2) U_{CT} = rated voltage at upper category temperature
- (3) Rated capacitance C_R and maximum ESR_{DC} are typical values for case sizes

Table 3

ENDURANCE TEST DURATION AND USEFUL LIFE			
NOMINAL CASE SIZE $\varnothing D \times L$	CASE CODE	ENDURANCE AT 85 °C (h)	USEFUL LIFE AT 85 °C (h)
10 x 20	16	750	1000
10 x 25	16L	750	1000
10 x 30	16LL	750	1000
12.5 x 20	17	1000	1500
12.5 x 25	18	1000	1500
12.5 x 30	18L	1000	1500
12.5 x 40	18LL	1000	1500
16 x 20	19a	1000	2000
16 x 25	19	1000	2000
18 x 20	1820	1000	2000
18 x 25	1825	1000	2000
16 x 31	20	1000	2000
18 x 31	1831	1000	2000
18 x 35	22	1000	2000
18 x 40	1840	1000	2000



TEST PROCEDURES AND REQUIREMENTS (1)		
NAME OF TEST	PROCEDURE (quick reference)	
Capacitance C_R and ESR_{DC}	Measured by DC discharging method as described in “Measuring of Characteristics”. (2)	
Maximum peak current	Non-repetitive current for maximum 1 s at specified operating temperature. Maximum operating voltage (refer to derating table) must not be exceeded. Usually to be tested with constant current discharge from U_R to $0.5 \times U_R$. Maximum current should not be used in normal operation and is only provided as reference value.	
Leakage current I_L	Measured at U_R . Capacitor is charged to the rated voltage at 20 °C. Leakage current is the current at specified time that is required to keep the capacitor charged at the rated voltage.	
Endurance	After loading the capacitor of specified time at maximum category temperature $T_{max.} = 85 \text{ °C}$ and derated permissible maximum operating voltage $U = 2.6 \text{ V}$, following parameters are valid within a timeframe as specified in Table 3:	
	Capacitance	Within $\pm 30 \%$ of minimum initial specified value
	ESR	Less than 3 x initial specified value
	Leakage	Within specified value
Useful life	After loading the capacitor of specified time at maximum category temperature $T_{max.} = 85 \text{ °C}$ and derated permissible maximum operating voltage $U = 2.6 \text{ V}$, following parameters are valid within a timeframe as specified in Table 3:	
	Capacitance	Within $\pm 50 \%$ of minimum initial specified value
	ESR	Less than 4 x initial specified value
	Leakage	Within specified value
Storage at upper category temperature	After loading the capacitor of specified time at maximum category temperature $T_{max.} = 85 \text{ °C}$ and without charge and under 40 % RH, following parameters are valid within a timeframe of 1000 h:	
	Capacitance	Within $\pm 30 \%$ of minimum initial specified value
	ESR	Less than 3 x initial specified value
	Leakage	Within specified value
Shelf life	Stored uncharged at 20 °C. Parameter within initial specification	
Cycle life	Cycles at 20 °C between rated voltage and half of rated voltage U_R with constant current and 1 s rest between charge and discharge: > 500 000 cycles	
	Capacitance	Within $\pm 30 \%$ of minimum initial specified value
	ESR	Less than 3 x initial specified value
Stored energy E, specific energy E_d and E_v	$E \text{ [Wh]} = \frac{1}{2} \times C \times (U_R)^2 \times 1/3600$ $E_d \text{ [Wh/kg]} = \frac{1}{2} \times C \times (U_R)^2 \times 1/3600 \times 1/\text{mass}$ $E_v \text{ [Wh/L]} = \frac{1}{2} \times C \times (U_R)^2 \times 1/3600 \times 1/\text{volume}$	
Soldering	Hand or wave soldering allowed. For details refer to soldering requirements for radial aluminum electrolytic capacitors in supplementary document.	
Cleaning	For printed circuit board cleaning apply non-aggressive cleaning agents only. For details refer to cleaning requirements for aluminum electrolytic capacitors in supplementary document.	
Environmental conditions	Do not expose capacitors to <ul style="list-style-type: none"> temperatures outside specified range high humidity atmospheres corrosive atmospheres, e.g. halogenides, sulphurous or nitrous gases, acid or alkaline solutions, etc. environments containing oil and grease 	

Notes

- General remark: temperatures to be measured at capacitor case
- (1) Conditions: electrical measurements at 20 °C, unless otherwise specified
- (2) Rated capacitance C_R and ESR_{DC}

MEASURING OF CHARACTERISTICS
CAPACITANCE (C)

Capacitance shall be measured by constant current discharge method.

- Constant current charge with 10 mA/V to U_R
- Constant voltage charge at U_R
- Constant current discharge with 10 mA/V to 0.1 V

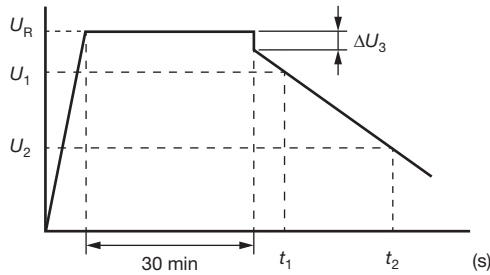


Fig. 4 - Voltage Diagram for Capacitance Measurement

Capacitance value C_R is given by discharge current I_D , time t and rated voltage U_R , according to the following equation:

$$C_R [F] = \frac{I_D [A] \times (t_2 [s] - t_1 [s])}{U_1 [V] - U_2 [V]}$$

- C_R Rated capacitance, in F
- U_R Rated voltage, in V
- U_1 Starting voltage, $0.8 \times U_R$ in V
- U_2 Ending voltage, $0.4 \times U_R$ in V
- ΔU_3 Voltage drop at internal resistance, in V
- t_1 Time from start of discharge until voltage U_1 is reached, in s
- t_2 Time from start of discharge until voltage U_2 is reached, in s
- I_D Absolute value of discharge current, in A

EQUIVALENT SERIES RESISTANCE (ESR_{DC})

- Constant current charge to U_R
- Constant voltage charge at U_R
- Constant current discharge to 0.1 V

$$ESR_{DC} [\Omega] = \frac{\Delta U_3 [V]}{I_D [A]}$$

- ESR_{DC} Equivalent series resistance, in Ω
- ΔU_R Voltage drop at internal resistance, in V
- I_D Absolute value of discharge current, in A

Statements about product lifetime are based on calculations and internal testing. They should only be interpreted as estimations. Also due to external factors, the lifetime in the field application may deviate from the calculated lifetime. In general, nothing stated herein shall be construed as a guarantee of durability.



Disclaimer

ALL PRODUCT, PRODUCT SPECIFICATIONS AND DATA ARE SUBJECT TO CHANGE WITHOUT NOTICE TO IMPROVE RELIABILITY, FUNCTION OR DESIGN OR OTHERWISE.

Vishay Intertechnology, Inc., its affiliates, agents, and employees, and all persons acting on its or their behalf (collectively, "Vishay"), disclaim any and all liability for any errors, inaccuracies or incompleteness contained in any datasheet or in any other disclosure relating to any product.

Vishay makes no warranty, representation or guarantee regarding the suitability of the products for any particular purpose or the continuing production of any product. To the maximum extent permitted by applicable law, Vishay disclaims (i) any and all liability arising out of the application or use of any product, (ii) any and all liability, including without limitation special, consequential or incidental damages, and (iii) any and all implied warranties, including warranties of fitness for particular purpose, non-infringement and merchantability.

Statements regarding the suitability of products for certain types of applications are based on Vishay's knowledge of typical requirements that are often placed on Vishay products in generic applications. Such statements are not binding statements about the suitability of products for a particular application. It is the customer's responsibility to validate that a particular product with the properties described in the product specification is suitable for use in a particular application. Parameters provided in datasheets and / or specifications may vary in different applications and performance may vary over time. All operating parameters, including typical parameters, must be validated for each customer application by the customer's technical experts. Product specifications do not expand or otherwise modify Vishay's terms and conditions of purchase, including but not limited to the warranty expressed therein.

Hyperlinks included in this datasheet may direct users to third-party websites. These links are provided as a convenience and for informational purposes only. Inclusion of these hyperlinks does not constitute an endorsement or an approval by Vishay of any of the products, services or opinions of the corporation, organization or individual associated with the third-party website. Vishay disclaims any and all liability and bears no responsibility for the accuracy, legality or content of the third-party website or for that of subsequent links.

Vishay products are not designed for use in life-saving or life-sustaining applications or any application in which the failure of the Vishay product could result in personal injury or death unless specifically qualified in writing by Vishay. Customers using or selling Vishay products not expressly indicated for use in such applications do so at their own risk. Please contact authorized Vishay personnel to obtain written terms and conditions regarding products designed for such applications.

No license, express or implied, by estoppel or otherwise, to any intellectual property rights is granted by this document or by any conduct of Vishay. Product names and markings noted herein may be trademarks of their respective owners.

Looking for pricing, stock, or lifecycle information?

Click below to explore more details on WIN SOURCE:

 [View MAL223051003E3 on WIN SOURCE](#)

 [Vishay Information](#)

Optimize Your Supply Chain with WIN SOURCE Solutions

-  Global Sourcing Solution
-  Obsolete Management
-  Cost Control Management
-  Shortage Management
-  Alternative Solution
-  Excess Inventory Management