

64-Channel Serial-to-Parallel Converter with High-Voltage Push-Pull Outputs

Features

- Up to 180V Output Voltage
- Low-power Level Shifting
- Shift Register Speed:
 - 6 MHz at $V_{DD} = 5V$
 - 12 MHz at $V_{DD} = 12V$
- Latched Data Outputs
- Output Polarity and Blanking
- CMOS-compatible Inputs
- Forward and Reverse Shifting Options

Applications

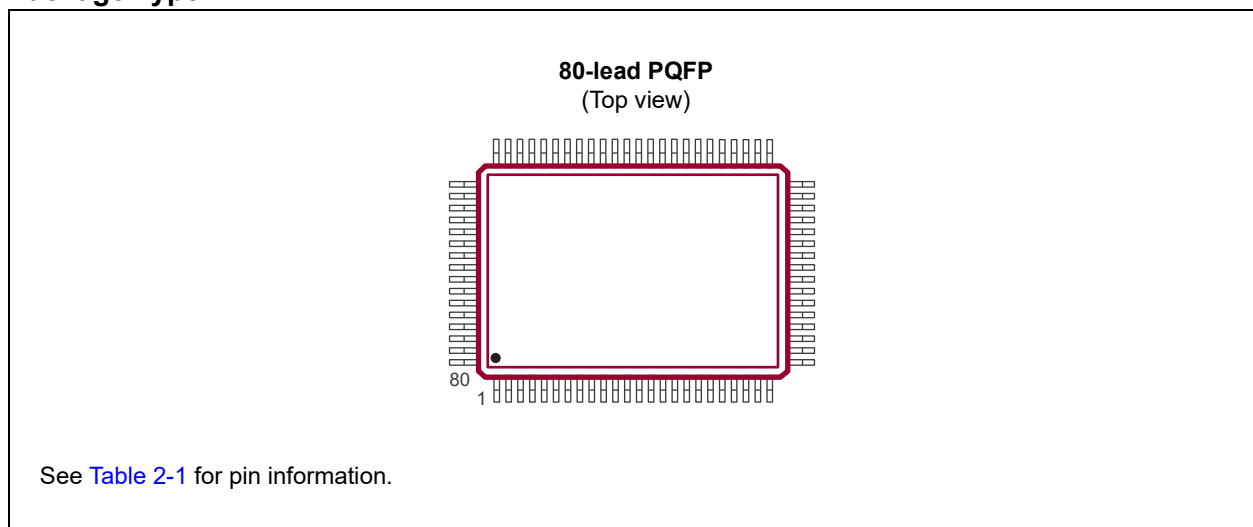
- Display Driver
- Print Head Driver
- MEMS Applications

General Description

The HV3418 is a low-voltage serial-to-high-voltage parallel converter with push-pull outputs. This device has been designed as a printer driver for inkjet applications. It can also be used in any application requiring multiple-output high-voltage low-current sourcing-and-sinking capabilities.

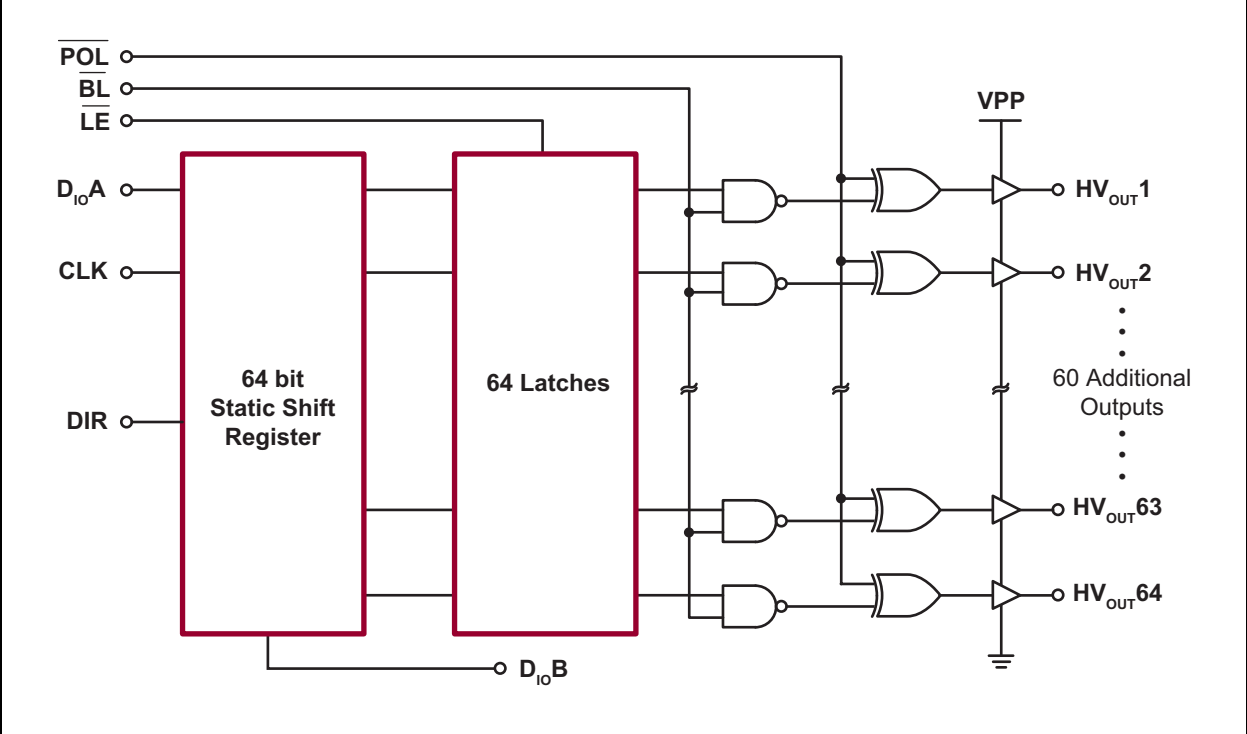
The device consists of a 64-bit Shift register, 64 latches and control logic to perform the polarity select and blanking of the outputs. A DIR pin controls the direction of data shift through the device. With the DIR grounded, D_{IOA} is data in and D_{IOB} is data out. Data is shifted from HV_{OUT64} to HV_{OUT1} . When DIR is at logic high, D_{IOB} is data in and D_{IOA} is data out. The data is then shifted from HV_{OUT1} to HV_{OUT64} . The data is shifted through the Shift register on the low-to-high transition of the clock. Data output buffers are provided for cascading devices. The operation of the shift register is not affected by the latch enable (\overline{LE}), blanking (BL) and the polarity (POL) inputs. The transfer of data from the Shift register to the latch occurs when the \overline{LE} is high. The data in the latch is stored during \overline{LE} transition from high to low.

Package Type

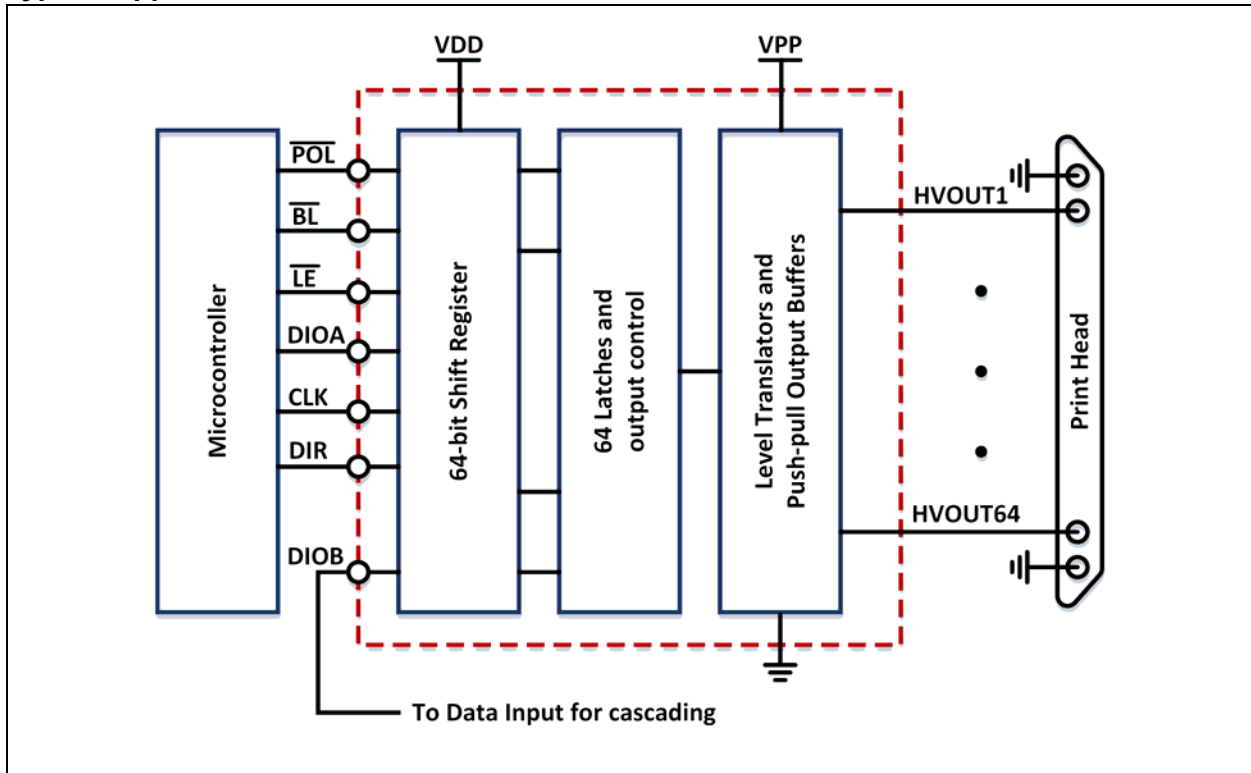


HV3418

Functional Block Diagram



Typical Application Circuit



HV3418

1.0 ELECTRICAL CHARACTERISTICS

Absolute Maximum Ratings†

Low-supply Voltage, V_{DD}	-0.5V to +15V
High-supply Voltage, V_{PP}	V_{DD} to +200V
Logic Input Levels	-0.5V to $V_{DD}+0.5V$
Ground Current (Note 1)	1.5A
High-voltage Supply Current (Note 1)	1.3A
Operating Ambient Temperature, T_A	-40°C to +85°C
Storage Temperature, T_S	-65°C to +150°C
Continuous Total Power Dissipation:	
80-lead PQFP (Note 2)	1200 mW

† **Notice:** Stresses above those listed under “Absolute Maximum Ratings” may cause permanent damage to the device. This is a stress rating only, and functional operation of the device at those or any other conditions above those indicated in the operational sections of this specification is not intended. Exposure to maximum rating conditions for extended periods may affect device reliability.

Note 1: Connection to all power and ground pads is required. Duty cycle is limited by the total power dissipated in the package.

2: For operations above 25°C ambient, derate linearly to the maximum operating temperature at 20 mW/°C.

RECOMMENDED OPERATING CONDITIONS

Parameter	Sym.	Min.	Typ.	Max.	Unit	Conditions
Logic Supply Voltage	V_{DD}	4.5	5	5.5	V	
		10.8	12	13.2	V	
High-voltage Supply Voltage	V_{PP}	60	—	180	V	
High-level Input Voltage	V_{IH}	$V_{DD}-0.9V$	—	V_{DD}	V	
Low-level Input Voltage	V_{IL}	0	—	0.9	V	
Maximum Operating Ambient Temperature	T_A	-40	—	+85	°C	
Maximum Operating Junction Temperature	T_J	—	—	+125	°C	

DC ELECTRICAL CHARACTERISTICS

Electrical Specifications: Over recommended operating conditions unless otherwise noted						
Parameter	Sym.	Min.	Typ.	Max.	Unit	Conditions
V _{DD} Supply Current	I _{DD}	—	—	25	mA	f _{CLK} = 12 MHz, f _{DATA} = 12 MHz, \overline{LE} = low
Quiescent V _{DD} Supply Current	I _{DDQ}	—	—	200	μA	All V _{IN} = 0V or V _{DD}
High-voltage Supply Current	I _{PP}	—	—	0.5	mA	V _{PP} = 180V, all outputs high
		—	—	0.5	mA	V _{PP} = 180V, all outputs low
High-level Logic Input Current	I _{IH}	—	—	10	μA	V _{IN} = V _{DD}
Low-level Logic Input Current	I _{IL}	—	—	-10	μA	V _{IN} = 0V
High-level Output	HV _{OUT}	155	—	—	V	V _{PP} = 180V, I _{HVOUT} = -5 mA, I _{DOUT} = -100 μA
	Data out	V _{DD} -1	—	—	V	
Low-level Output	HV _{OUT}	—	—	25	V	V _{PP} = 180V, I _{HVOUT} = 5 mA, I _{DOUT} = 100 μA
	Data out	—	—	1	V	
HV _{OUT} Clamp Voltage	V _{OC}	—	—	V _{DD} + 1.5	V	I _{OL} = 5 mA
		—	—	-1.5	V	I _{OL} = -5 mA

AC ELECTRICAL CHARACTERISTICS

Electrical Specifications: AC characteristics are guaranteed only under V _{DD} = 12V and V _{DD} = 5V.						
Parameter	Sym.	Min.	Typ.	Max.	Unit	Conditions
Clock Frequency	f _{CLK}	—	—	12 (6)	MHz	Note 2
Clock Width High or Low	t _{WL} , t _{WH}	40 (83)	—	—	ns	Note 2
Data Set-up Time before Clock Rises	t _{SU}	25 (35)	—	—	ns	Note 2
Data Hold Time after Clock Rises	t _H	10 (30)	—	—	ns	Note 2
Time from Latch Enable to HV _{OUT}	t _{ON} , t _{OFF}	—	—	1 (1.5)	ns	C _L = 20 pF (Note 2)
Latch Enable Pulse Width	t _{WLE}	62 (80)	—	—	ns	Note 2
Delay Time Clock to Latch Enable Low to High	t _{DLE}	25 (35)	—	—	ns	Note 2
Latch Enable Set-up Time before Clock Rises	t _{SLE}	30 (40)	—	—	ns	Note 2
Delay Time Clock to Data High to Low	t _{DHL}	—	—	50 (110)	ns	C _L = 20 pF (Note 2)
Delay Time Clock to Data Low to High	t _{DLH}	—	—	75 (160)	ns	C _L = 20 pF (Note 2)
All Logic Inputs	t _r , t _f	—	—	5	ns	

Note 1: Shift register speed can be as low as DC as long as data set-up and hold time meet the specifications.

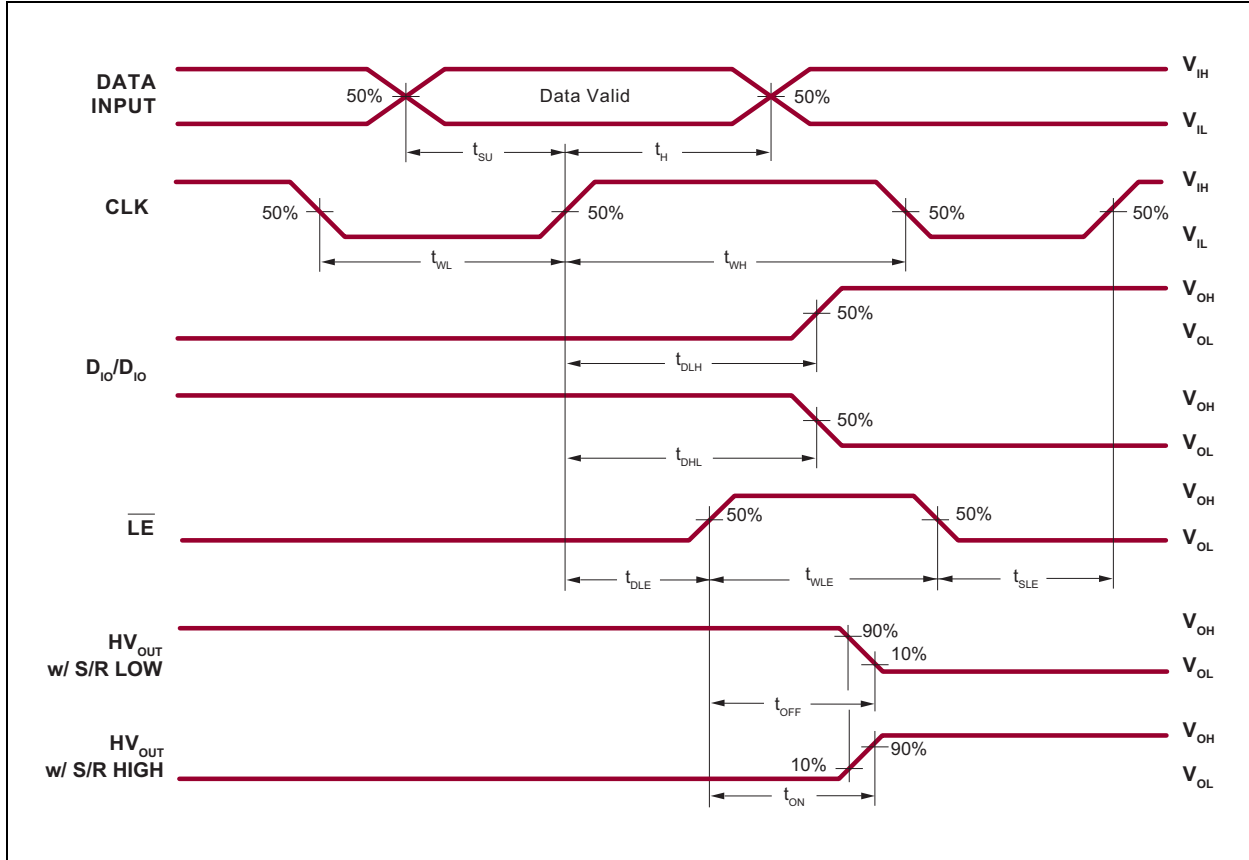
2: Value in parenthesis is for V_{DD} = 5V, V_{PP} = 180V and T_A = 25°C.

HV3418

TEMPERATURE SPECIFICATIONS

Parameter	Sym.	Min.	Typ.	Max.	Unit	Conditions
TEMPERATURE RANGE						
Operating Ambient Temperature	T_A	-40	—	+85	°C	
Storage Temperature	T_S	-65	—	+150	°C	
PACKAGE THERMAL RESISTANCE						
80-lead PQFP	θ_{JA}	—	37	—	°C/W	

Timing Waveforms



2.0 PIN DESCRIPTION

The details on the pins of HV3418 are listed on [Table 2-1](#). Refer to [Package Type](#) for the location of pins.

TABLE 2-1: PIN FUNCTION TABLE

Pin Number	Pin Name	Description
1	HVOUT41/24	High-voltage output
2	HVOUT42/23	High-voltage output
3	HVOUT43/22	High-voltage output
4	HVOUT44/21	High-voltage output
5	HVOUT45/20	High-voltage output
6	HVOUT46/19	High-voltage output
7	HVOUT47/18	High-voltage output
8	HVOUT48/17	High-voltage output
9	HVOUT49/16	High-voltage output
10	HVOUT50/15	High-voltage output
11	HVOUT51/14	High-voltage output
12	HVOUT52/13	High-voltage output
13	HVOUT53/12	High-voltage output
14	HVOUT54/11	High-voltage output
15	HVOUT55/10	High-voltage output
16	HVOUT56/9	High-voltage output
17	HVOUT57/8	High-voltage output
18	HVOUT58/7	High-voltage output
19	HVOUT59/6	High-voltage output
20	HVOUT60/5	High-voltage output
21	HVOUT61/4	High-voltage output
22	HVOUT62/3	High-voltage output
23	HVOUT63/2	High-voltage output
24	HVOUT64/1	High-voltage output
25	VPP	High-voltage power supply
26	DIOA	Serial Data Input/Output A
27	NC	No connection
28	NC	No connection
29	$\overline{\text{BL}}$	Blanking
30	$\overline{\text{POL}}$	Polarity
31	VDD	Low-voltage power supply
32	DIR	Direction (See Note 1 .)
33	LGND	Logic voltage ground
34	OGND	High-voltage power supply ground
35	NC	No connection

Note 1: Pin designation for DIR = H/L. Example: For DIR = H, Pin 1 is HVOUT41 and for DIR = L, Pin 1 is HVOUT24.

HV3418

TABLE 2-1: PIN FUNCTION TABLE (CONTINUED)

Pin Number	Pin Name	Description
36	NC	No connection
37	CLK	Data Shift register clock. Inputs are shifted into the Shift register on the positive edge of the clock.
38	\overline{LE}	Latch enable
39	DIOB	Serial Data Input/Output B
40	VPP	High-voltage power supply
41	HVOUT1/64	High-voltage output
42	HVOUT2/63	High-voltage output
43	HVOUT3/62	High-voltage output
44	HVOUT4/61	High-voltage output
45	HVOUT5/60	High-voltage output
46	HVOUT6/59	High-voltage output
47	HVOUT7/58	High-voltage output
48	HVOUT8/57	High-voltage output
49	HVOUT9/56	High-voltage output
50	HVOUT10/55	High-voltage output
51	HVOUT11/54	High-voltage output
52	HVOUT12/53	High-voltage output
53	HVOUT13/52	High-voltage output
54	HVOUT14/51	High-voltage output
55	HVOUT15/50	High-voltage output
56	HVOUT16/49	High-voltage output
57	HVOUT17/48	High-voltage output
58	HVOUT18/47	High-voltage output
59	HVOUT19/46	High-voltage output
60	HVOUT20/45	High-voltage output
61	HVOUT21/44	High-voltage output
62	HVOUT22/43	High-voltage output
63	HVOUT23/42	High-voltage output
64	HVOUT24/41	High-voltage output
65	HVOUT25/40	High-voltage output
66	HVOUT26/39	High-voltage output
67	HVOUT27/38	High-voltage output
68	HVOUT28/37	High-voltage output
69	HVOUT29/36	High-voltage output
70	HVOUT30/35	High-voltage output
71	HVOUT31/34	High-voltage output
72	HVOUT32/33	High-voltage output
73	HVOUT33/32	High-voltage output
74	HVOUT34/31	High-voltage output

Note 1: Pin designation for DIR = H/L. Example: For DIR = H, Pin 1 is HVOUT41 and for DIR = L, Pin 1 is HVOUT24.

TABLE 2-1: PIN FUNCTION TABLE (CONTINUED)

Pin Number	Pin Name	Description
75	HVOUT35/30	High-voltage output
76	HVOUT36/29	High-voltage output
77	HVOUT37/28	High-voltage output
78	HVOUT38/27	High-voltage output
79	HVOUT39/26	High-voltage output
80	HVOUT40/25	High-voltage output

Note 1: Pin designation for DIR = H/L. Example: For DIR = H, Pin 1 is HVOUT41 and for DIR = L, Pin 1 is HVOUT24.

HV3418

3.0 FUNCTIONAL DESCRIPTION

Follow the steps in [Table 3-1](#) to power up and power down the HV3418.

TABLE 3-1: POWER-UP AND POWER-DOWN SEQUENCE

Power-up		Power-down	
Step	Description	Step	Description
1	Connect ground.	1	Remove V_{PP} . (Note 1)
2	Apply V_{DD} .	2	Remove all inputs.
3	Set all inputs (Data, CLK, Enable, etc.) to a known state.	3	Remove V_{DD} .
4	Apply V_{PP} . (Note 1)	4	Disconnect ground.

Note 1: The V_{PP} should not drop below V_{DD} or float during operation.

TABLE 3-2: TRUTH FUNCTION TABLE

Function	Inputs						Outputs				
	Data	CLK	\overline{LE}	\overline{BL}	\overline{POL}	DIR	Shift Register		HV Output		Data Out
							1	2...64	1	2...64	*
All On	X	X	X	L	L	X	*	*...*	H	H...H	*
All Off	X	X	X	L	H	X	*	*...*	L	L...L	*
Invert Mode	X	X	L	H	L	X	*	*...*	$\overline{*}$	$\overline{*...*}$	*
Load S/R	H or L	\uparrow	L	H	H	X	H or L	*...*	*	*...*	*
Load/store Data in Latches	X	X	\downarrow	H	H	X	*	*...*	*	*...*	*
	X	X	\downarrow	H	L	X	*	*...*	$\overline{*}$	$\overline{*...*}$	*
Transparent Latch Mode	L	\uparrow	H	H	H	X	L	*...*	L	*...*	*
	H	\uparrow	H	H	H	X	H	*...*	H	*...*	*
I/O Relation	D_{IOA}	\uparrow	X	X	X	L	$Q_N \rightarrow$	Q_{N+1}	—	—	D_{IOB}
	D_{IOB}	\uparrow	X	X	X	H	$Q_N \rightarrow$	Q_{N+1}	—	—	D_{IOA}

Note: H = High-logic level
 L = Low-logic level
 X = Irrelevant
 \uparrow = Low-to-high transition
 \downarrow = High-to-low transition
 * = Dependent on previous stage's state before the last CLK or last \overline{LE} high

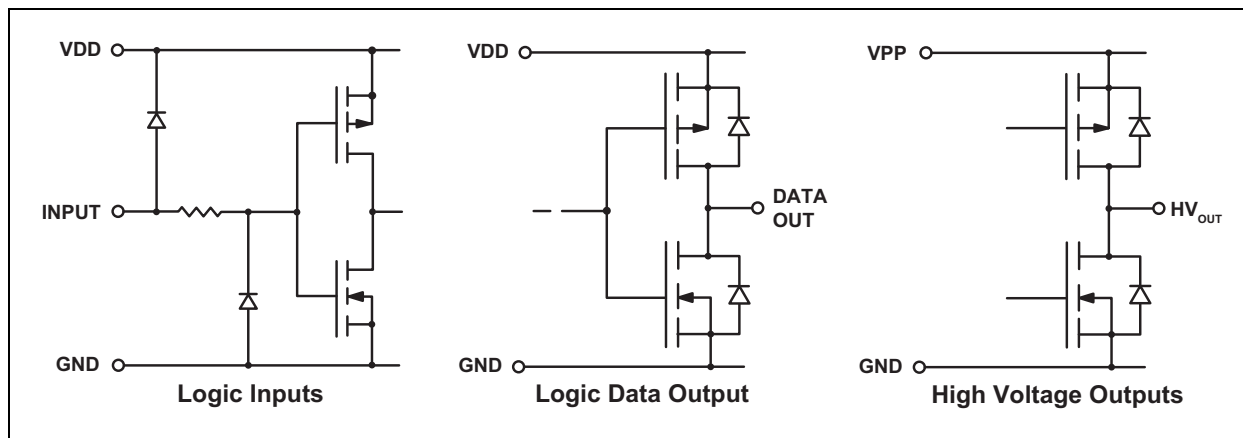
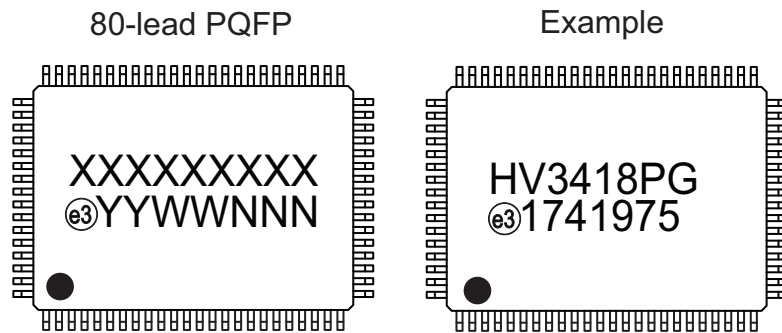


FIGURE 3-1: Input and Output Equivalent Circuits.

4.0 PACKAGE MARKING INFORMATION

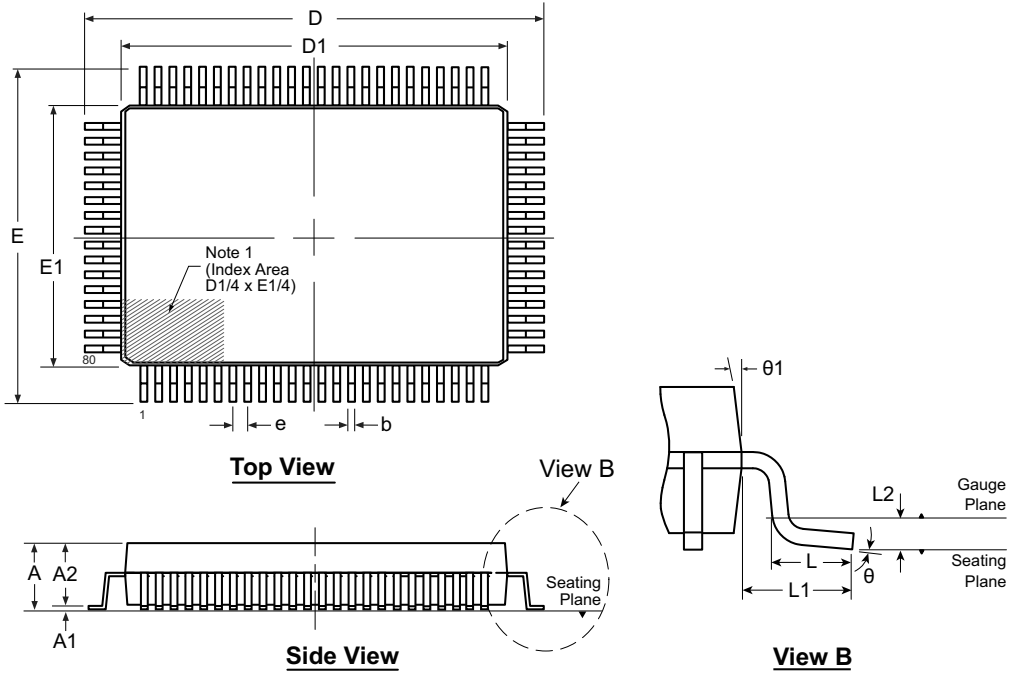
4.1 Packaging Information



Legend:	XX...X	Product Code or Customer-specific information
	Y	Year code (last digit of calendar year)
	YY	Year code (last 2 digits of calendar year)
	WW	Week code (week of January 1 is week '01')
	NNN	Alphanumeric traceability code
	(e3)	Pb-free JEDEC® designator for Matte Tin (Sn)
	*	This package is Pb-free. The Pb-free JEDEC designator (e3) can be found on the outer packaging for this package.
Note:	In the event the full Microchip part number cannot be marked on one line, it will be carried over to the next line, thus limiting the number of available characters for product code or customer-specific information. Package may or not include the corporate logo.	

80-Lead PQFP Package Outline (PG)

20.00x14.00mm body, 3.40mm height (max), 0.80mm pitch, 3.90mm footprint



Note: For the most current package drawings, see the Microchip Packaging Specification at www.microchip.com/packaging.

Note:

1. A Pin 1 identifier must be located in the index area indicated. The Pin 1 identifier can be: a molded mark/identifier; an embedded metal marker; or a printed indicator.

Symbol	A	A1	A2	b	D	D1	E	E1	e	L	L1	L2	θ	θ_1	
Dimension (mm)	MIN	2.80*	0.25	2.55	0.30	23.65*	19.80*	17.65*	13.80*	0.80 BSC	0.73	1.95 REF	0.25 BSC	0°	5°
	NOM	-	-	2.80	-	23.90	20.00	17.90	14.00		0.88			3.5°	-
	MAX	3.40	0.50*	3.05	0.45	24.15*	20.20*	18.15*	14.20*		1.03			7°	16°

JEDEC Registration MO-112, Variation CB-1, Issue B, Sept. 1995.

* This dimension is not specified in the JEDEC drawing.

Drawings not to scale.

APPENDIX A: REVISION HISTORY

Revision A (September 2017)

- Converted Supertex Doc #DSFP-HV3418 to Microchip DS20005843B
- Removed “Processed with HVCMOS[®] Technology” in the Features section
- Changed the package marking format
- Made minor changes throughout the document

Revision B (August 2018)

- Correction to **TABLE 2-1: “Pin Function Table”** Pin #34 Description.
- Updates to **“RECOMMENDED OPERATING CONDITIONS”** table.

HV3418

PRODUCT IDENTIFICATION SYSTEM

To order or obtain information, e.g., on pricing or delivery, contact your local Microchip representative or sales office.

<u>PART NO.</u>	<u>XX</u>	-	<u>X</u>	-	<u>X</u>
Device	Package Options		Environmental		Media Type
Device:	HV3418	=	64-Channel Serial-to-Parallel Converter with High-Voltage Push-Pull Outputs		
Package:	PG	=	80-lead PQFP		
Environmental:	G	=	Lead (Pb)-free/RoHS-compliant Package		
Media Type:	(blank)	=	66/Tray for a PG Package		

Example:

a) HV3418PG-G: 64-Channel Serial-to-Parallel Converter with High-Voltage Push-Pull Outputs, 80-lead PQFP, 66/Tray

Note the following details of the code protection feature on Microchip devices:

- Microchip products meet the specification contained in their particular Microchip Data Sheet.
- Microchip believes that its family of products is one of the most secure families of its kind on the market today, when used in the intended manner and under normal conditions.
- There are dishonest and possibly illegal methods used to breach the code protection feature. All of these methods, to our knowledge, require using the Microchip products in a manner outside the operating specifications contained in Microchip's Data Sheets. Most likely, the person doing so is engaged in theft of intellectual property.
- Microchip is willing to work with the customer who is concerned about the integrity of their code.
- Neither Microchip nor any other semiconductor manufacturer can guarantee the security of their code. Code protection does not mean that we are guaranteeing the product as “unbreakable.”

Code protection is constantly evolving. We at Microchip are committed to continuously improving the code protection features of our products. Attempts to break Microchip's code protection feature may be a violation of the Digital Millennium Copyright Act. If such acts allow unauthorized access to your software or other copyrighted work, you may have a right to sue for relief under that Act.

Information contained in this publication regarding device applications and the like is provided only for your convenience and may be superseded by updates. It is your responsibility to ensure that your application meets with your specifications. MICROCHIP MAKES NO REPRESENTATIONS OR WARRANTIES OF ANY KIND WHETHER EXPRESS OR IMPLIED, WRITTEN OR ORAL, STATUTORY OR OTHERWISE, RELATED TO THE INFORMATION, INCLUDING BUT NOT LIMITED TO ITS CONDITION, QUALITY, PERFORMANCE, MERCHANTABILITY OR FITNESS FOR PURPOSE. Microchip disclaims all liability arising from this information and its use. Use of Microchip devices in life support and/or safety applications is entirely at the buyer's risk, and the buyer agrees to defend, indemnify and hold harmless Microchip from any and all damages, claims, suits, or expenses resulting from such use. No licenses are conveyed, implicitly or otherwise, under any Microchip intellectual property rights unless otherwise stated.

Microchip received ISO/TS-16949:2009 certification for its worldwide headquarters, design and wafer fabrication facilities in Chandler and Tempe, Arizona; Gresham, Oregon and design centers in California and India. The Company's quality system processes and procedures are for its PIC® MCUs and dsPIC® DSCs, KEELoc® code hopping devices, Serial EEPROMs, microperipherals, nonvolatile memory and analog products. In addition, Microchip's quality system for the design and manufacture of development systems is ISO 9001:2000 certified.

**QUALITY MANAGEMENT SYSTEM
CERTIFIED BY DNV
= ISO/TS 16949 =**

Trademarks

The Microchip name and logo, the Microchip logo, AnyRate, AVR, AVR logo, AVR Freaks, BitCloud, chipKIT, chipKIT logo, CryptoMemory, CryptoRF, dsPIC, FlashFlex, flexPWR, Helder, JukeBlox, KeeLoq, Klear, LANCheck, LINK MD, maXStylus, maXTouch, MediaLB, megaAVR, MOST, MOST logo, MPLAB, OptoLyzer, PIC, picoPower, PICSTART, PIC32 logo, Prochip Designer, QTouch, SAM-BA, SpyNIC, SST, SST Logo, SuperFlash, tinyAVR, UNI/O, and XMEGA are registered trademarks of Microchip Technology Incorporated in the U.S.A. and other countries.

ClockWorks, The Embedded Control Solutions Company, EtherSynch, Hyper Speed Control, HyperLight Load, IntellIMOS, mTouch, Precision Edge, and Quiet-Wire are registered trademarks of Microchip Technology Incorporated in the U.S.A.

Adjacent Key Suppression, AKS, Analog-for-the-Digital Age, Any Capacitor, AnyIn, AnyOut, BodyCom, CodeGuard, CryptoAuthentication, CryptoAutomotive, CryptoCompanion, CryptoController, dsPICDEM, dsPICDEM.net, Dynamic Average Matching, DAM, ECAN, EtherGREEN, In-Circuit Serial Programming, ICSP, INICnet, Inter-Chip Connectivity, JitterBlocker, KlearNet, KlearNet logo, memBrain, Mindi, MiWi, motorBench, MPASM, MPF, MPLAB Certified logo, MPLIB, MPLINK, MultiTRAK, NetDetach, Omniscient Code Generation, PICDEM, PICDEM.net, PICKit, PICtail, PowerSmart, PureSilicon, QMatrix, REAL ICE, Ripple Blocker, SAM-ICE, Serial Quad I/O, SMART-I.S., SQI, SuperSwitcher, SuperSwitcher II, Total Endurance, TSHARC, USBCheck, VariSense, ViewSpan, WiperLock, Wireless DNA, and ZENA are trademarks of Microchip Technology Incorporated in the U.S.A. and other countries.

SQTP is a service mark of Microchip Technology Incorporated in the U.S.A.

Silicon Storage Technology is a registered trademark of Microchip Technology Inc. in other countries.

GestIC is a registered trademark of Microchip Technology Germany II GmbH & Co. KG, a subsidiary of Microchip Technology Inc., in other countries.

All other trademarks mentioned herein are property of their respective companies.

© 2018, Microchip Technology Incorporated, All Rights Reserved.
ISBN: 978-1-5224-3453-5



MICROCHIP

Worldwide Sales and Service

AMERICAS

Corporate Office
2355 West Chandler Blvd.
Chandler, AZ 85224-6199
Tel: 480-792-7200
Fax: 480-792-7277
Technical Support:
<http://www.microchip.com/support>
Web Address:
www.microchip.com

Atlanta

Duluth, GA
Tel: 678-957-9614
Fax: 678-957-1455

Austin, TX

Tel: 512-257-3370

Boston

Westborough, MA
Tel: 774-760-0087
Fax: 774-760-0088

Chicago

Itasca, IL
Tel: 630-285-0071
Fax: 630-285-0075

Dallas

Addison, TX
Tel: 972-818-7423
Fax: 972-818-2924

Detroit

Novi, MI
Tel: 248-848-4000

Houston, TX

Tel: 281-894-5983

Indianapolis

Noblesville, IN
Tel: 317-773-8323
Fax: 317-773-5453
Tel: 317-536-2380

Los Angeles

Mission Viejo, CA
Tel: 949-462-9523
Fax: 949-462-9608
Tel: 951-273-7800

Raleigh, NC

Tel: 919-844-7510

New York, NY

Tel: 631-435-6000

San Jose, CA

Tel: 408-735-9110
Tel: 408-436-4270

Canada - Toronto

Tel: 905-695-1980
Fax: 905-695-2078

ASIA/PACIFIC

Australia - Sydney
Tel: 61-2-9868-6733

China - Beijing
Tel: 86-10-8569-7000

China - Chengdu
Tel: 86-28-8665-5511

China - Chongqing
Tel: 86-23-8980-9588

China - Dongguan
Tel: 86-769-8702-9880

China - Guangzhou
Tel: 86-20-8755-8029

China - Hangzhou
Tel: 86-571-8792-8115

China - Hong Kong SAR
Tel: 852-2943-5100

China - Nanjing
Tel: 86-25-8473-2460

China - Qingdao
Tel: 86-532-8502-7355

China - Shanghai
Tel: 86-21-3326-8000

China - Shenyang
Tel: 86-24-2334-2829

China - Shenzhen
Tel: 86-755-8864-2200

China - Suzhou
Tel: 86-186-6233-1526

China - Wuhan
Tel: 86-27-5980-5300

China - Xian
Tel: 86-29-8833-7252

China - Xiamen
Tel: 86-592-2388138

China - Zhuhai
Tel: 86-756-3210040

ASIA/PACIFIC

India - Bangalore
Tel: 91-80-3090-4444

India - New Delhi
Tel: 91-11-4160-8631

India - Pune
Tel: 91-20-4121-0141

Japan - Osaka
Tel: 81-6-6152-7160

Japan - Tokyo
Tel: 81-3-6880-3770

Korea - Daegu
Tel: 82-53-744-4301

Korea - Seoul
Tel: 82-2-554-7200

Malaysia - Kuala Lumpur
Tel: 60-3-7651-7906

Malaysia - Penang
Tel: 60-4-227-8870

Philippines - Manila
Tel: 63-2-634-9065

Singapore
Tel: 65-6334-8870

Taiwan - Hsin Chu
Tel: 886-3-577-8366

Taiwan - Kaohsiung
Tel: 886-7-213-7830

Taiwan - Taipei
Tel: 886-2-2508-8600

Thailand - Bangkok
Tel: 66-2-694-1351

Vietnam - Ho Chi Minh
Tel: 84-28-5448-2100

EUROPE

Austria - Wels
Tel: 43-7242-2244-39
Fax: 43-7242-2244-393

Denmark - Copenhagen
Tel: 45-4450-2828
Fax: 45-4485-2829

Finland - Espoo
Tel: 358-9-4520-820

France - Paris
Tel: 33-1-69-53-63-20
Fax: 33-1-69-30-90-79

Germany - Garching
Tel: 49-8931-9700

Germany - Haan
Tel: 49-2129-3766400

Germany - Heilbronn
Tel: 49-7131-67-3636

Germany - Karlsruhe
Tel: 49-721-625370

Germany - Munich
Tel: 49-89-627-144-0
Fax: 49-89-627-144-44

Germany - Rosenheim
Tel: 49-8031-354-560

Israel - Ra'anana
Tel: 972-9-744-7705

Italy - Milan
Tel: 39-0331-742611
Fax: 39-0331-466781

Italy - Padova
Tel: 39-049-7625286

Netherlands - Drunen
Tel: 31-416-690399
Fax: 31-416-690340

Norway - Trondheim
Tel: 47-7288-4388

Poland - Warsaw
Tel: 48-22-3325737

Romania - Bucharest
Tel: 40-21-407-87-50

Spain - Madrid
Tel: 34-91-708-08-90
Fax: 34-91-708-08-91

Sweden - Gothenberg
Tel: 46-31-704-60-40

Sweden - Stockholm
Tel: 46-8-5090-4654

UK - Wokingham
Tel: 44-118-921-5800
Fax: 44-118-921-5820

Looking for pricing, stock, or lifecycle information?

Click below to explore more details on WIN SOURCE:

- ⊖ [View HV3418PG-G on WIN SOURCE](#)
- ⊖ [Microchip Technology](#) Information

Optimize Your Supply Chain with WIN SOURCE Solutions

- ✓ Global Sourcing Solution
- ✓ Obsolete Management
- ✓ Cost Control Management
- ✓ Shortage Management
- ✓ Alternative Solution
- ✓ Excess Inventory Management