



**THE DATASHEET OF
MBC61-050-0**



Preliminary Description & Application Manual

Recommended Cables and PCB Connectors

The following cables and PCB connectors for the interfaces X1 and X2/X3 are recommended and can be ordered from Power Integrations or from ERNI according to the following table. Refer to Fig. 9 for more details about the cable arrangement:

Accessories	Interface	Length/ Type	Power Integrations Ordering Number	ERNI Ordering Number	Picture
Cable (Power Supply, 3-pin)	ISO5125I	100cm	MBC31-100-0	IDCCS_SRC_1.27_03_SPX_SPX_1000_HT	
Cable (Power Supply, 4-pin)	X1	35cm	MBC41-035-0	IDCCS_SRC_1.27_04_SPX_SPX_350_HT	
	X1	45cm	MBC41-045-0	IDCCS_SRC_1.27_04_SPX_SPX_450_HT	
	X1	70cm	MBC41-070-0	IDCCS_SRC_1.27_04_SPX_SPX_700_HT	
	X1	110cm	MBC41-110-0	IDCCS_SRC_1.27_04_SPX_SPX_1100_HT	
Cable (Paralleling, Master to Slave, 6-pin)	X2/X3	30cm	MBC61-030-0	IDCCS_SRC_1.27_06_SPX_SPX_300_HT	
	X2/X3	50cm	MBC61-050-0	IDCCS_SRC_1.27_06_SPX_SPX_500_HT	
	X2/X3	70cm	MBC61-070-0	IDCCS_SRC_1.27_06_SPX_SPX_700_HT	
	X2/X3	110cm	MBC61-110-0	IDCCS_SRC_1.27_06_SPX_SPX_1100_HT	
PCB connector (3-pin)	ISO5125I	Right angle	MBCON-3-1-0	234450	Fig. 10
	ISO5125I	Vertical	MBCON-3-2-0	284696	
PCB connector (4-pin)*	X1	Right angle	MBCON-4-1-0	214012	
	X1	Vertical	MBCON-4-2-0	284697	

*The 4-pin PCB connectors are not required if the external DC/DC converter ISO5125I is used.

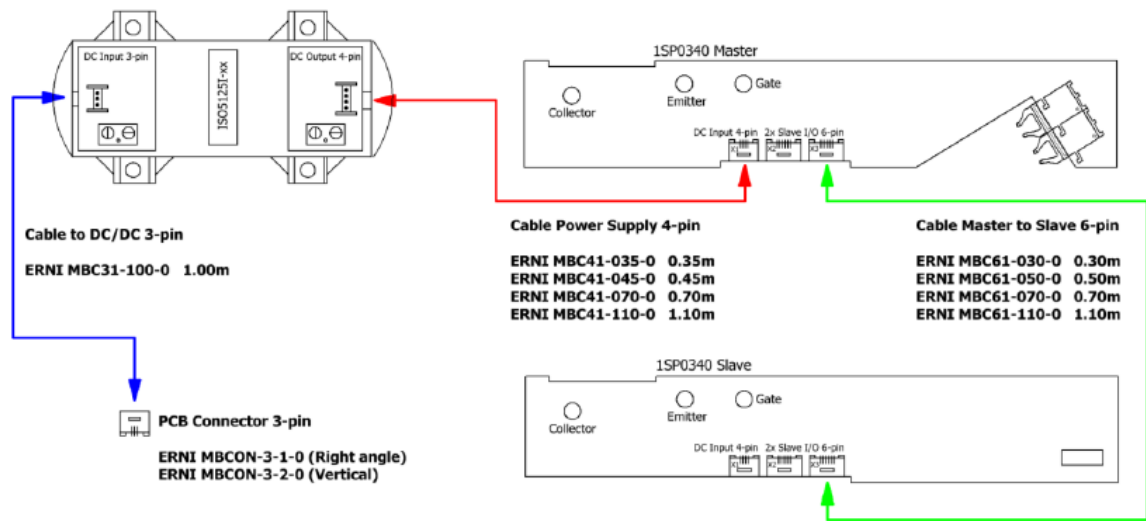


Fig. 9 Cable arrangement for 1SP0340 (master only or master and slave) and DC-DC converter ISO5125I

All cables are delivered with straight plugs on both sides.

The PCB connectors can be ordered as "right angle" types (the cable is plugged in parallel to the PCB) or as "vertical" types (the cable is plugged vertically to the PCB) according to Fig. 10.

Looking for pricing, stock, or lifecycle information?

Click below to explore more details on WIN SOURCE:

 [View MBC61-050-0 on WIN SOURCE](#)

 [Power Integrations](#) Information

Optimize Your Supply Chain with WIN SOURCE Solutions

-  Global Sourcing Solution
-  Obsolete Management
-  Cost Control Management
-  Shortage Management
-  Alternative Solution
-  Excess Inventory Management