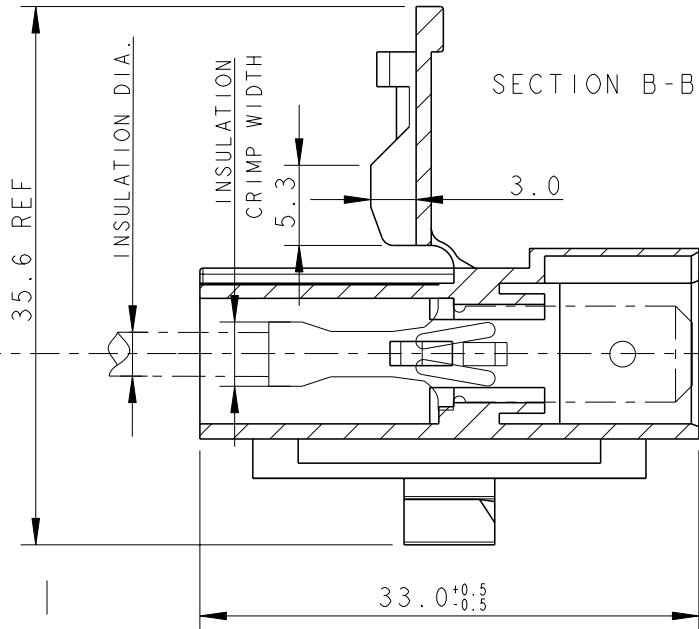
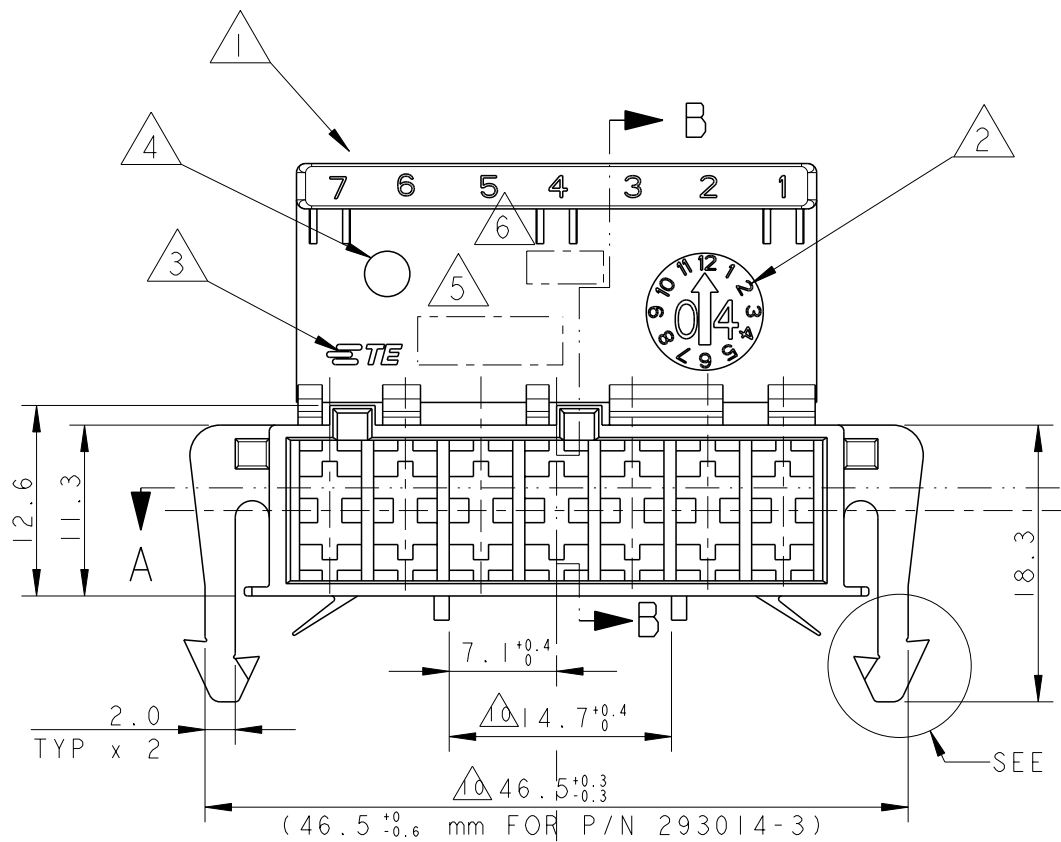
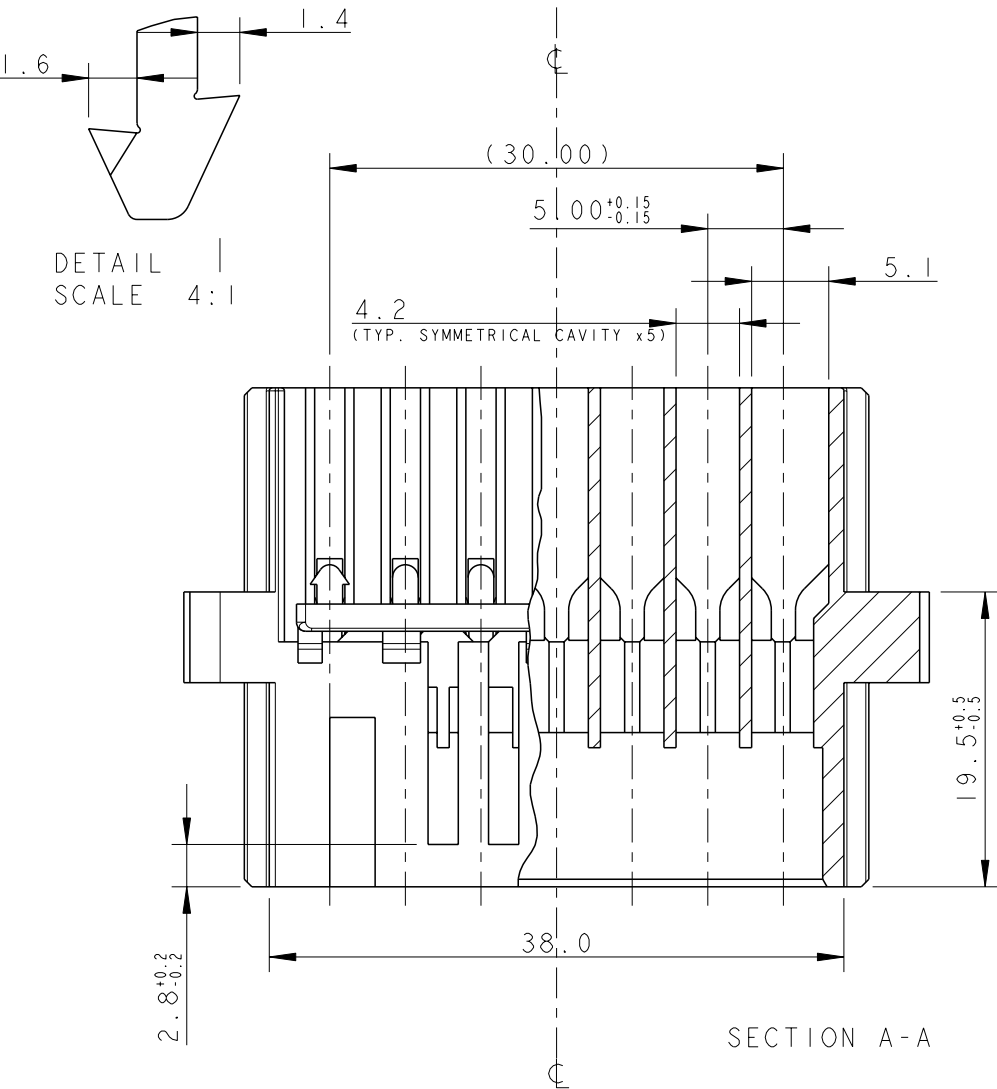
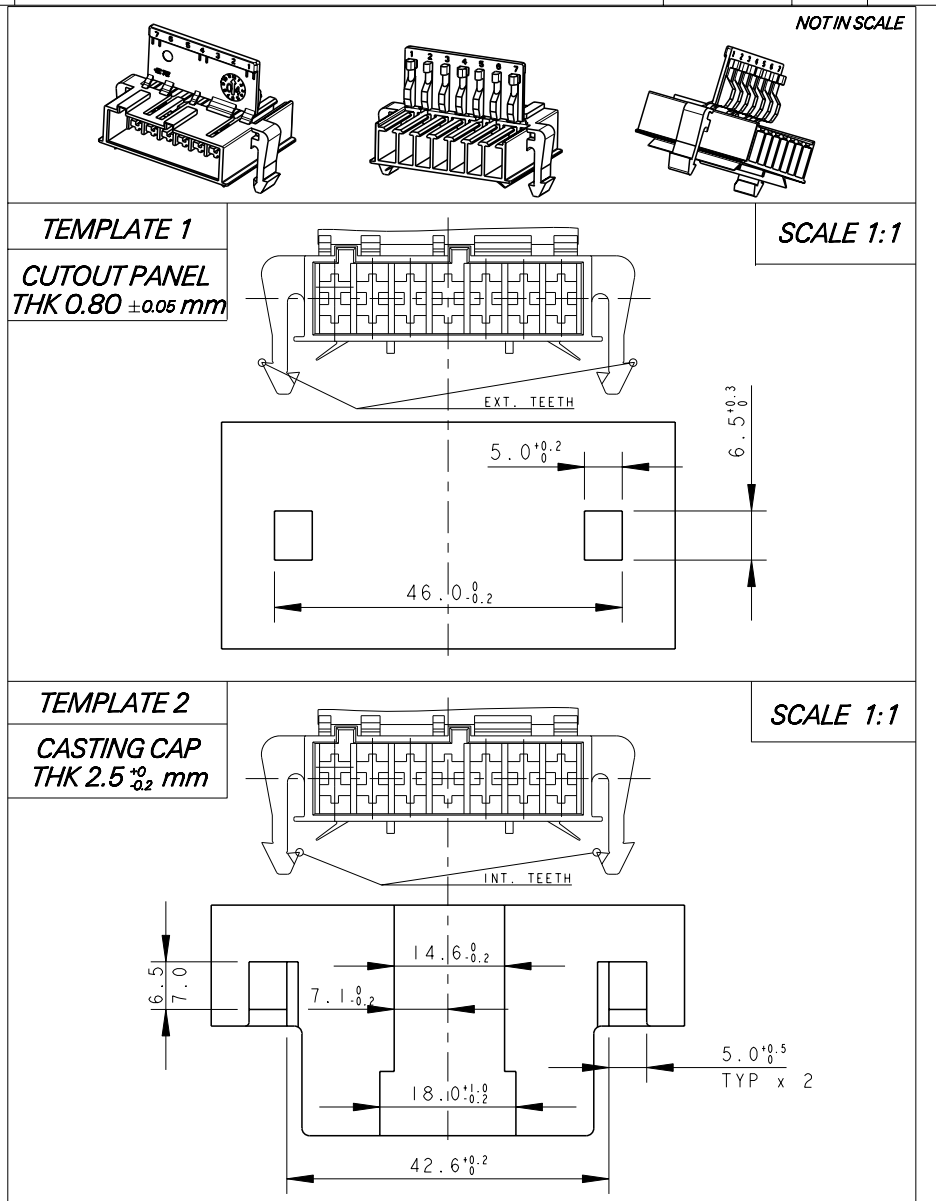


THIS DRAWING IS UNPUBLISHED. RELEASED FOR PUBLICATION 2004
 © COPYRIGHT 2004 BY - ALL RIGHTS RESERVED.

LOC	DIST	REVISIONS				
P	LTR	DESCRIPTION	DATE	DWN	APVD	
1	-	A10	ECR-15-009863	30JUN2015	KD RR	
		A11	ECR-15-012957	04SEP2015	KD RR	
		A12	ECR-16-013321	27SEP2016	KD RR	
		A13	ECR-20-004903	03APR2020	SK CD	



- NOTES:
- ① CIRCUIT IDENTIFICATION NUMBERS 1 TO 7, BOTH SIDES
 - ② DATE CODE
 - ③ TE TRADEMARK
 - ④ MOULD CAVITY IDENTIFICATION
 - ⑤ TE - P/N
 - ⑥ RAW MATERIAL CODE
 - 7) CONNECTOR HOUSING SUITABLE FOR MATING WITH:
 (PROPERLY CODED WITH RELEVANT APPLICATION MACHINE)
 - AMP MONOSHAP Mark I TAB CONNECTOR, P/N 1-293004-7
 - AMP MONOSHAP Mark I TAB CONNECTOR LIF, P/N 1-2293392-7
 - 8) RECOMMENDED WITH TERMINALS P/Ns 293041-X, DEPENDING ON PLATING AND PACKAGING (REF. DRAWING C-293041)
 CAVITIES SUITABLE FOR .250" SERIES FAST-IN-ON TAB CONTACT ACCORDING TO NORM "DIN 46 343"
 MAX INS. DIA.: 2.8 mm; MAX INS. CRIMP WIDTH: 3.3 mm
 - ⑨ PRELIMINARY - NOT RELEASED FOR PRODUCTION
 - ⊕ ONLY FOR 293014-2, 14.7 +0.4/-0.1 (LOCATION C4)
 46.5 +0.3/-0.4 (LOCATION C4)
 - ⚠ ONLY FOR 293014-2, CONNECTOR UN-MATING FORCE WITH MATING PART MONO-SHAPE MKI IS MIN.30N




REV	TE	P/N	MATERIAL
A	293014-3	PA66/6 UNFILLED, UL94 V0	
A	293014-2	PA66 UNFILLED, UL94-V0 GWT, NATURAL	
A	293014-1	PA6 UNFILLED, NATURAL COLOR ACCORDING TO IEC 60335-1 NORM	

THIS DRAWING IS A CONTROLLED DOCUMENT.		DWN	U. AIME	20FEB2004	 TE Connectivity	NAME		7 POSITION TAB HOUSING FOR MOTOR MOUNTING RAST 5	
DIMENSIONS: mm		CHK	G. TURCO	20FEB2004		PRODUCT SPEC		108-20247	
TOLERANCES UNLESS OTHERWISE SPECIFIED:		APVD	-	20FEB2004		APPLICATION SPEC		-	
0 PLC ±- 1 PLC ±0.3 2 PLC ±- 3 PLC ±- 4 PLC ±- ANGLES ±° FINISH -		WEIGHT		-		SIZE	CAGE CODE	DRAWING NO	RESTRICTED TO
MATERIAL SEE TABLE		Customer Drawing		A300779		C-293014		SCALE	2:1
								SHEET	1 OF 1
								REV	A13

Looking for pricing, stock, or lifecycle information?

Click below to explore more details on WIN SOURCE:

 [View 293014-1](#) on WIN SOURCE

 [TE Connectivity](#) Information

Optimize Your Supply Chain with WIN SOURCE Solutions

-  Global Sourcing Solution
-  Obsolete Management
-  Cost Control Management
-  Shortage Management
-  Alternative Solution
-  Excess Inventory Management