



**THE DATASHEET OF  
TS5USBC412IYFFR**



# TS5USBC41 Dual 2:1 USB 2.0 Mux/DeMux or Single Ended Cross Switch with 20-V/24-V Overvoltage Protection

## 1 Features

- Supply Range 2.3 V to 5.5 V
- Differential 2:1 or 1:2 Switch/Multiplexer or Flexible Dual Single Ended Cross Switch
- 0-V to 20-V (TS5USBC410) and 24-V (TS5USBC412) Overvoltage Protection (OVP) on Common Pins
- Powered Off Protection When  $V_{CC} = 0$  V
- Low  $R_{ON}$  of 9  $\Omega$  Maximum
- BW of 1.1-GHz (TS5USBC410) and 1.2-GHz (TS5USBC412) Typical
- $C_{ON}$  typical of 2.7 pF (TS5USBC410) and 2.5 pF (TS5USBC412)
- Low Power Disable Mode
- 1.8-V Compatible Logic Inputs
- ESD Protection Exceeds JESD 22
  - 2000-V Human Body Model (HBM)
- TS5USBC410 and TS5USBC412: Standard Temperature Range of 0°C to 70°C
- TS5USBC410I and TS5USBC412I: Industrial Temperature Range of -40°C to 85°C
- Small DSBGA Package

## 2 Applications

- Mobile
- PC/Notebook
- Tablet
- Anywhere a USB Type-C™ or Micro-B Connector is Used

## 3 Description

The TS5USBC41 is a bidirectional low-power dual port, high-speed, USB 2.0 analog switch with integrated protection for USB Type-C™ systems. The device is configured as a dual 2:1 or 1:2 switch. It is optimized for use with the USB 2.0 D+/- lines in a USB Type-C™ systems.

The TS5USBC41 protection on the I/O pins can tolerate up to 20 V (TS5USBC410) or 24 V (TS5USBC412) with automatic shutoff circuitry to protect system components behind the switch.

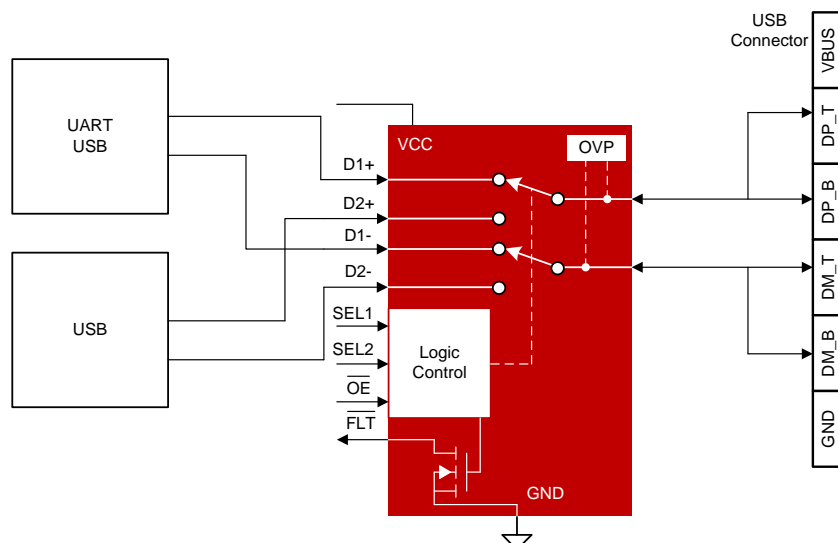
The TS5USBC41 comes in a small 12 pin DSBGA package making it a perfect candidate for mobile and space constrained applications.

### Device Information<sup>(1)</sup>

PART NUMBER	PACKAGE	BODY SIZE (NOM)
TS5USBC410 TS5USBC410I TS5USBC412 TS5USBC412I	DSBGA (12)	1.638 mm x 1.238 mm

(1) For all available packages, see the orderable addendum at the end of the data sheet.

### Simplified Schematic



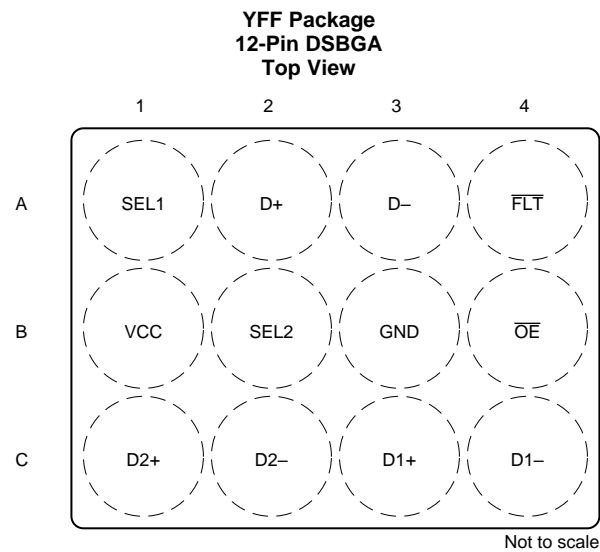
## Table of Contents

<b>1 Features</b> .....	<b>1</b>	8.3 Feature Description .....	<b>15</b>
<b>2 Applications</b> .....	<b>1</b>	8.4 Device Functional Modes .....	<b>17</b>
<b>3 Description</b> .....	<b>1</b>	<b>9 Application and Implementation</b> .....	<b>18</b>
<b>4 Revision History</b> .....	<b>2</b>	9.1 Application Information .....	<b>18</b>
<b>5 Pin Configuration and Functions</b> .....	<b>3</b>	9.2 Typical Application .....	<b>18</b>
<b>6 Specifications</b> .....	<b>4</b>	<b>10 Power Supply Recommendations</b> .....	<b>19</b>
6.1 Absolute Maximum Ratings .....	<b>4</b>	<b>11 Layout</b> .....	<b>20</b>
6.2 ESD Ratings .....	<b>4</b>	11.1 Layout Guidelines .....	<b>20</b>
6.3 Recommended Operating Conditions .....	<b>4</b>	11.2 Layout Example .....	<b>21</b>
6.4 Thermal Information .....	<b>5</b>	<b>12 Device and Documentation Support</b> .....	<b>22</b>
6.5 Electrical Characteristics .....	<b>5</b>	12.1 Documentation Support .....	<b>22</b>
6.6 Dynamic Characteristics .....	<b>8</b>	12.2 Receiving Notification of Documentation Updates .....	<b>22</b>
6.7 Timing Requirements .....	<b>8</b>	12.3 Community Resources .....	<b>22</b>
6.8 Typical Characteristics .....	<b>9</b>	12.4 Trademarks .....	<b>22</b>
<b>7 Parameter Measurement Information</b> .....	<b>10</b>	12.5 Electrostatic Discharge Caution .....	<b>22</b>
<b>8 Detailed Description</b> .....	<b>14</b>	12.6 Glossary .....	<b>22</b>
8.1 Overview .....	<b>14</b>	<b>13 Mechanical, Packaging, and Orderable Information</b> .....	<b>22</b>
8.2 Functional Block Diagram .....	<b>14</b>		

## 4 Revision History

Changes from Revision A (May 2018) to Revision B	Page
• Changed the device status From: <i>Advanced Information To Production data</i> .....	<b>1</b>

## 5 Pin Configuration and Functions



### Pin Functions

PIN		I/O	DESCRIPTION
NO.	NAME		
A1	SEL1	I	Switch select1. Refer to <a href="#">Table 1</a> .
A2	D+	I/O	Data switch input (Differential +).
A3	D-	I/O	Data switch input (Differential -)
A4	$\overline{\text{FLT}}$	O	Fault indicator output pin (Active low) - open drain
B1	VCC	PWR	Supply Voltage
B2	SEL2	I	Switch select2. Refer to <a href="#">Table 1</a> .
B3	GND	GND	Ground
B4	$\overline{\text{OE}}$	I	Output enable (Active low). Refer to <a href="#">Table 1</a> .
C1	D2+	I/O	Data switch output 2 (Differential +)
C2	D2-	I/O	Data switch output 2 (Differential -)
C3	D1+	I/O	Data switch output 1 (Differential +)
C4	D1-	I/O	Data switch output 1 (Differential -)

## 6 Specifications

### 6.1 Absolute Maximum Ratings

 over operating free-air temperature range (unless otherwise noted)<sup>(1)</sup> <sup>(2)</sup>

		MIN	MAX	UNIT
V <sub>CC</sub>	Supply voltage <sup>(3)</sup>	-0.5	6	V
V <sub>I/O</sub>	Input/Output DC voltage (D+, D-) (TS5USBC412, TS5USBC412I) <sup>(3)</sup>	-0.5	28	V
V <sub>I/O</sub>	Input/Output DC voltage (D+, D-) (TS5USBC410, TS5USBC410I) <sup>(3)</sup>	-0.5	24	V
V <sub>I/O</sub>	Input/Output DC voltage (D1+/D1-, D2+/D2-) <sup>(3)</sup>	-0.5	6	V
V <sub>I</sub>	Digital input voltage (SEL1, SEL2, $\overline{OE}$ )	-0.5	6	V
V <sub>O</sub>	Digital output voltage ( $\overline{FLT}$ )	-0.5	6	V
I <sub>K</sub>	Input-output port diode current (D+, D-, D1+, D1-, D2+, D2-) when V <sub>IN</sub> < 0	-50		mA
I <sub>IK</sub>	Digital logic input clamp current (SEL1, SEL2, $\overline{OE}$ ) when V <sub>I</sub> < 0 <sup>(3)</sup>	-50		mA
I <sub>CC</sub>	Continuous current through VCC		100	mA
I <sub>GND</sub>	Continuous current through GND	-100		mA
T <sub>stg</sub>	Storage temperature	-65	150	°C

- (1) Stresses beyond those listed under *Absolute Maximum Ratings* may cause permanent damage to the device. These are stress ratings only, which do not imply functional operation of the device at these or any other conditions beyond those indicated under *Recommended Operating Conditions*. Exposure to absolute-maximum-rated conditions for extended periods may affect device reliability.
- (2) The algebraic convention, whereby the most negative value is a minimum and the most positive value is a maximum.
- (3) All voltages are with respect to ground, unless otherwise specified.

### 6.2 ESD Ratings

		VALUE	UNIT
V <sub>(ESD)</sub>	Electrostatic discharge	Human body model (HBM), per ANSI/ESDA/JEDEC JS-001 <sup>(1)</sup>	±2000
		Charged-device model (CDM), per JEDEC specification JESD22-C101 <sup>(2)</sup>	±1000

- (1) JEDEC document JEP155 states that 500-V HBM allows safe manufacturing with a standard ESD control process.
- (2) JEDEC document JEP157 states that 250-V CDM allows safe manufacturing with a standard ESD control process.

### 6.3 Recommended Operating Conditions

		MIN	MAX	UNIT
V <sub>CC</sub>	Supply voltage	2.3	5.5	V
V <sub>I/O</sub> (D+, D-)	Analog input/output voltage (TS5USBC412, TS5USBC412I)	0	24	V
V <sub>I/O</sub> (D+, D-)	Analog input/output voltage (TS5USBC410, TS5USBC410I)	0	20	V
V <sub>I/O</sub> (D1, D1-, D2+, D2-)	Analog input/output voltage	0	3.6	V
V <sub>I</sub>	Digital input voltage (SEL1, SEL2, $\overline{OE}$ )	0	5.5	V
V <sub>O</sub>	Digital output voltage ( $\overline{FLT}$ )	0	5.5	V
I <sub>I/O</sub> (D+, D-, D1+, D1-, D2+, D2-)	Analog input/output port continuous current	-50	50	mA
I <sub>OL</sub>	Digital output current		3	mA
T <sub>A</sub>	Operating free-air temperature (Standard) (TS5USBC410, TS5USBC412)	0	70	°C
T <sub>A</sub>	Operating free-air temperature (Industrial) (TS5USBC410I, TS5USBC412I)	-40	85	°C
T <sub>J</sub>	Junction temperature	-40	125	°C

## 6.4 Thermal Information

THERMAL METRIC <sup>(1)</sup>		Device	UNIT
		YFF	
		12 PINS	
R <sub>θJA</sub>	Junction-to-ambient thermal resistance	91.8	°C/W
R <sub>θJC(top)</sub>	Junction-to-case (top) thermal resistance	0.8	°C/W
R <sub>θJB</sub>	Junction-to-board thermal resistance	22.8	°C/W
ψ <sub>JT</sub>	Junction-to-top characterization parameter	0.5	°C/W
ψ <sub>JB</sub>	Junction-to-board characterization parameter	23.0	°C/W

(1) For more information about traditional and new thermalmetrics, see the [Semiconductor and ICPackage Thermal Metrics](#) application report.

## 6.5 Electrical Characteristics

T<sub>A</sub> = -40°C to +85°C (Industrial), T<sub>A</sub> = 0°C to 70°C (Standard), V<sub>CC</sub> = 2.3 V to 5.5 V, GND = 0 V, Typical values are at V<sub>CC</sub> = 3.3 V, T<sub>A</sub> = 25°C, (unless otherwise noted)

PARAMETER	TEST CONDITIONS	MIN	TYP	MAX	UNIT
<b>POWER</b>					
I <sub>CC-ACTIVE</sub>	Active supply current. OE = 0 V SEL1, SEL2 = 0 V, 1.8 V or V <sub>CC</sub> 0 V < V <sub>I/O</sub> < 3.6 V		9	22	μA
I <sub>CC-OVP</sub>	Supply current during OVP condition. OE = 0 V SEL1, SEL2 = 0 V, 1.8 V or V <sub>CC</sub> V <sub>I/O</sub> > V <sub>POS_THLD</sub>		10	35	μA
I <sub>CC-PD</sub>	Standby powered down supply current OE = 1.8 V or V <sub>CC</sub> SEL1 = 0 V, 1.8 V, or V <sub>CC</sub> SEL2 = 0 V, 1.8 V, or V <sub>CC</sub>		2	6	μA
<b>DC Characteristics</b>					
R <sub>ON</sub>	ON-state resistance V <sub>I/O</sub> = 0.4 V I <sub>SINK</sub> = 8 mA Refer to <a href="#">ON-State Resistance Figure</a>		5.6	9	Ω
ΔR <sub>ON</sub>	ON-state resistance match between channels V <sub>I/O</sub> = 0.4 V I <sub>SINK</sub> = 8 mA Refer to <a href="#">ON-State Resistance Figure</a>		0.075	0.48	Ω
R <sub>ON (FLAT)</sub>	ON-state resistance flatness V <sub>I/O</sub> = 0 V to 0.4 V I <sub>SINK</sub> = 8 mA Refer to <a href="#">ON-State Resistance Figure</a>		0.1	0.4	Ω
I <sub>OFF</sub>	I/O pin OFF leakage current OE = H V <sub>D±</sub> = 0 V or 3.6 V V <sub>CC</sub> = 2.3 V to 5.5 V V <sub>D1±</sub> or V <sub>D2±</sub> = 3.6 V or 0 V Refer to <a href="#">Off Leakage Figure</a>	-4	0.1	4	μA
I <sub>OFF-20V</sub>	D1/D2+/- pin OFF leakage current during OVP scenario on D+/- OE = H V <sub>D±</sub> = 20-V V <sub>CC</sub> = 2.3 V to 5.5 V V <sub>D1±</sub> or V <sub>D2±</sub> = 0 V Refer to <a href="#">Off Leakage Figure</a>	-0.5		0.5	μA
I <sub>OFF-20V-DP/N</sub>	D+/- pin OFF leakage current during OVP scenario OE = H V <sub>D±</sub> = 20-V V <sub>CC</sub> = 2.3 V to 5.5 V V <sub>D1±</sub> or V <sub>D2±</sub> = 0 V Refer to <a href="#">Off Leakage Figure</a>	140	150	180	μA

**Electrical Characteristics (continued)**

$T_A = -40^\circ\text{C}$  to  $+85^\circ\text{C}$  (Industrial),  $T_A = 0^\circ\text{C}$  to  $70^\circ\text{C}$  (Standard),  $V_{CC} = 2.3\text{ V}$  to  $5.5\text{ V}$ ,  $\text{GND} = 0\text{ V}$ , Typical values are at  $V_{CC} = 3.3\text{ V}$ ,  $T_A = 25^\circ\text{C}$ , (unless otherwise noted)

PARAMETER		TEST CONDITIONS	MIN	TYP	MAX	UNIT
$I_{\text{OFF-24V}}$	D1/D2 +/- pin OFF leakage current during OVP scenario on D+/-.	OE = H $V_{D\pm} = 24\text{-V}$ $V_{CC} = 2.3\text{ V}$ to $5.5\text{ V}$ $V_{D1\pm}$ or $V_{D2\pm} = 0\text{ V}$ Refer to <a href="#">Off Leakage Figure</a>	-0.5		0.5	$\mu\text{A}$
$I_{\text{OFF-24V-DPN}}$	D+/- pin OFF leakage current during OVP scenario.	OE = H $V_{D\pm} = 0\text{ V}$ or $24\text{-V}$ $V_{CC} = 2.3\text{ V}$ to $5.5\text{ V}$ $V_{D1\pm}$ or $V_{D2\pm} = 0\text{ V}$ Refer to <a href="#">Off Leakage Figure</a>	220	250	270	$\mu\text{A}$
$I_{\text{ON}}$	ON leakage current.	$V_{D\pm} = 0\text{ V}$ or $3.6\text{ V}$ $V_{D1\pm}$ and $V_{D2+/-} = \text{high-Z}$ Refer to <a href="#">On Leakage Figure</a>	-5.5	0.25	7.5	$\mu\text{A}$
<b>Digital Characteristics</b>						
$V_{\text{IH}}$	Input logic high	SEL1, SEL2, $\overline{\text{OE}}$	1.4			V
$V_{\text{IL}}$	Input logic low	SEL1, SEL2, $\overline{\text{OE}}$			0.5	V
$V_{\text{OL}}$	Output logic low	$\overline{\text{FLT}}$ $I_{\text{OL}} = 3\text{ mA}$			0.4	V
$I_{\text{IH}}$	Input high leakage current	SEL1, SEL2, $\overline{\text{OE}} = 1.8\text{ V}$ , $V_{CC}$	-1	1	5	$\mu\text{A}$
$I_{\text{IL}}$	Input low leakage current	SEL1, SEL2, $\overline{\text{OE}} = 0\text{ V}$	-1	$\pm 0.2$	5	$\mu\text{A}$
$R_{\text{PD}}$	Internal pull-down resistor on digital input pins			6		$\text{M}\Omega$
$C_{\text{I}}$	Digital input capacitance	SEL1, SEL2 = $0\text{ V}$ , $1.8\text{ V}$ or $V_{CC}$ $f = 1\text{ MHz}$		4		pF
<b>Protection</b>						
$V_{\text{OVP\_TH}}$	OVP positive threshold		4.4	4.8	5.2	V
$V_{\text{OVP\_HYST}}$	OVP threshold hysteresis		125	250	440	mV
$V_{\text{CLAMP\_V}}$	Maximum voltage to appear on D1± and D2± pins during OVP scenario (TS5USBC412, TS5USBC412I)	$V_{D\pm} = 0$ to $24\text{ V}$ $t_{\text{RISE}}$ and $t_{\text{FALL}}(10\% \text{ to } 90\%) = 100\text{ ns}$ $R_{\text{L}} = \text{Open}$ Switch on or off $\overline{\text{OE}} = 0\text{ V}$			11.2	V
$V_{\text{CLAMP\_V}}$	Maximum voltage to appear on D1± and D2± pins during OVP scenario (TS5USBC412, TS5USBC412I)	$V_{D\pm} = 0$ to $24\text{ V}$ $t_{\text{RISE}}$ and $t_{\text{FALL}}(10\% \text{ to } 90\%) = 100\text{ ns}$ $R_{\text{L}} = 50\Omega$ Switch on or off $\overline{\text{OE}} = 0\text{ V}$			10.8	V
$V_{\text{CLAMP\_V}}$	Maximum voltage to appear on D1± and D2± pins during OVP scenario (TS5USBC410, TS5USBC410I)	$V_{D\pm} = 0$ to $20\text{ V}$ $t_{\text{RISE}}$ and $t_{\text{FALL}}(10\% \text{ to } 90\%) = 100\text{ ns}$ $R_{\text{L}} = \text{Open}$ Switch on or off $\overline{\text{OE}} = 0\text{ V}$			10.8	V
$V_{\text{CLAMP\_V}}$	Maximum voltage to appear on D1± and D2± pins during OVP scenario (TS5USBC410, TS5USBC410I)	$V_{D\pm} = 0$ to $20\text{ V}$ $t_{\text{RISE}}$ and $t_{\text{FALL}}(10\% \text{ to } 90\%) = 100\text{ ns}$ $R_{\text{L}} = 50\Omega$ Switch on or off $\overline{\text{OE}} = 0\text{ V}$			9.8	V

**Electrical Characteristics (continued)**
 $T_A = -40^{\circ}\text{C}$  to  $+85^{\circ}\text{C}$  (Industrial),  $T_A = 0^{\circ}\text{C}$  to  $70^{\circ}\text{C}$  (Standard),  $V_{CC} = 2.3\text{ V}$  to  $5.5\text{ V}$ ,  $\text{GND} = 0\text{ V}$ , Typical values are at  $V_{CC} = 3.3\text{ V}$ ,  $T_A = 25^{\circ}\text{C}$ , (unless otherwise noted)

PARAMETER		TEST CONDITIONS	MIN	TYP	MAX	UNIT
$V_{\text{CLAMP\_T}}$	Maximum OVP transient duration above 5 V (TS5USBC412, TS5USBC412I).	$V_{D\pm} = 0$ to 24 V $t_{\text{RISE}}$ and $t_{\text{FALL}}$ (10% to 90 %) = 100 ns $R_L = \text{Open } C_L = 10\text{pF}$ Switch on or off $\overline{\text{OE}} = 0\text{ V}$		75	100	ns
$V_{\text{CLAMP\_T}}$	Maximum OVP transient duration above 5 V (TS5USBC412, TS5USBC412I)	$V_{D\pm} = 0$ to 24 V $t_{\text{RISE}}$ and $t_{\text{FALL}}$ (10% to 90 %) = 100 ns $R_L = 50\Omega C_L = 10\text{pF}$ Switch on or off $\overline{\text{OE}} = 0\text{ V}$		68	95	ns
$V_{\text{CLAMP\_T}}$	Maximum OVP transient duration above 5 V (TS5USBC410, TS5USBC410I)	$V_{D\pm} = 0$ to 20 V $t_{\text{RISE}}$ and $t_{\text{FALL}}$ (10% to 90 %) = 100 ns $R_L = \text{Open } C_L = 10\text{pF}$ Switch on or off $\overline{\text{OE}} = 0\text{ V}$		64	100	ns
$V_{\text{CLAMP\_T}}$	Maximum OVP transient duration above 5 V (TS5USBC410, TS5USBC410I)	$V_{D\pm} = 0$ to 20 V $t_{\text{RISE}}$ and $t_{\text{FALL}}$ (10% to 90 %) = 100 ns $R_L = 50\Omega C_L = 10\text{pF}$ Switch on or off $\overline{\text{OE}} = 0\text{ V}$		55	95	ns
$t_{\text{EN\_OVP}}$	OVP enable time	$R_{\text{PU}} = 10\text{ k}\Omega$ to $V_{CC} (\overline{\text{FLT}})$ $C_L = 35\text{ pF}$ Refer to <a href="#">OVP Timing Diagram Figure</a>			3	$\mu\text{s}$
$t_{\text{REC\_OVP}}$	OVP recovery time	$R_{\text{PU}} = 10\text{ k}\Omega$ to $V_{CC} (\overline{\text{FLT}})$ $C_L = 35\text{ pF}$ Refer to <a href="#">OVP Timing Diagram Figure</a>			5	$\mu\text{s}$

## 6.6 Dynamic Characteristics

$T_A = -40^\circ\text{C}$  to  $+85^\circ\text{C}$  (Industrial),  $T_A = 0^\circ\text{C}$  to  $70^\circ\text{C}$  (Standard),  $V_{CC} = 2.3\text{ V}$  to  $5.5\text{ V}$ ,  $\text{GND} = 0\text{ V}$ , Typical values are at  $V_{CC} = 3.3\text{ V}$ ,  $T_A = 25^\circ\text{C}$ , (unless otherwise noted)

PARAMETER		TEST CONDITIONS	MIN	TYP	MAX	UNIT	
$C_{OFF}$	D+, D- off capacitance	$V_{D+/-} = 0$ or $3.3\text{ V}$ , $\overline{OE} = V_{CC}$ $f = 240\text{ MHz}$	Switch OFF	1.2	1.6	3.2	pF
	D1+, D1-, D2+, D2- off capacitance	$V_{D+/-} = 0$ or $3.3\text{ V}$ , $\overline{OE} = V_{CC}$ or $\overline{OE} = 0\text{ V}$ with SEL1, SEL2 (switch not selected) $f = 240\text{ MHz}$	Switch OFF or not selected	1.2	1.5	3.0	pF
$C_{ON}$	IO pins ON capacitance (TS5USBC412, TS5USBC412I)	$V_{D+/-} = 0$ or $3.3\text{ V}$ , $f = 240\text{ MHz}$	Switch ON	2.0	2.5	3.9	pF
$C_{ON}$	IO pins ON capacitance (TS5USBC410, TS5USBC410I)	$V_{D+/-} = 0$ or $3.3\text{ V}$ , $f = 240\text{ MHz}$	Switch ON	2.0	2.7	4	pF
$O_{ISO}$	Differential off isolation	$R_L = 50\ \Omega$ $C_L = 5\text{ pF}$ $f = 100\text{ kHz}$ Refer to <a href="#">Off Isolation Figure</a>	Switch OFF		-95		dB
		$R_L = 50\ \Omega$ $C_L = 5\text{ pF}$ $f = 240\text{ MHz}$ Refer to <a href="#">Off Isolation Figure</a>	Switch OFF		-25		dB
$X_{TALK}$	Channel to Channel crosstalk	$R_L = 50\ \Omega$ $C_L = 5\text{ pF}$ $f = 100\text{ kHz}$ Refer to <a href="#">Crosstalk Figure</a>	Switch ON		-90		dB
BW	Bandwidth (TS5USBC412, TS5USBC412I)	$R_L = 50\ \Omega$ ; Refer to <a href="#">BW and Insertion Loss Figure</a>	Switch ON		1.2		GHz
BW	Bandwidth (TS5USBC410, TS5USBC410I)	$R_L = 50\ \Omega$ ; Refer to <a href="#">BW and Insertion Loss Figure</a>	Switch ON		1.1		GHz
$I_{LOSS}$	Insertion loss	$R_L = 50\ \Omega$ $f = 240\text{ MHz}$ ; Refer to <a href="#">BW and Insertion Loss Figure</a>	Switch ON		-0.8		dB

## 6.7 Timing Requirements

$T_A = -40^\circ\text{C}$  to  $+85^\circ\text{C}$  (Industrial),  $T_A = 0^\circ\text{C}$  to  $70^\circ\text{C}$  (Standard),  $V_{CC} = 2.3\text{ V}$  to  $5.5\text{ V}$ ,  $\text{GND} = 0\text{ V}$ , Typical values are at  $V_{CC} = 3.3\text{ V}$ ,  $T_A = 25^\circ\text{C}$ , (unless otherwise noted)

PARAMETER		TEST CONDITIONS	MIN	NOM	MAX	UNIT
$t_{SWITC H}$	Switching time between channels (SEL1, SEL2 to output)	$V_{D+/-} = 0.8\text{ V}$ Refer to <a href="#">Tswitch Timing Figure</a>		0.8	2.5	$\mu\text{s}$
$t_{ON}$	Device turn on time ( $\overline{OE}$ to output).	$V_{D+/-} = 0.8\text{ V}$ Refer to <a href="#">Ton and Toff Figure</a>	$R_L = 50\ \Omega$ , $C_L = 5\text{ pF}$ , $V_{CC} = 2.3\text{ V}$ to $5.5\text{ V}$	84	250	$\mu\text{s}$
$t_{OFF}$	Device turn off time ( $\overline{OE}$ to output)	$V_{D+/-} = 0.8\text{ V}$ Refer to <a href="#">Ton and Toff Figure</a>		0.75	1	$\mu\text{s}$
$t_{SK(P)}$	Skew of opposite transitions of same output (between D+ and D-).	$V_{D+/-} = 0.4\text{ V}$ Refer to <a href="#">Tsk Figure</a>	$R_L = 50\ \Omega$ , $C_L = 1\text{ pF}$ , $V_{CC} = 2.3\text{ V}$ to $5.5\text{ V}$	11	50	ps
$t_{PD}$	Propagation delay.	$f = 240\text{ MHz}$ $V_{D+/-} = 0.4\text{ V}$ Refer to <a href="#">Tpd Figure</a>	$R_L = 50\ \Omega$ , $C_L = 5\text{ pF}$ , $V_{CC} = 2.3\text{ V}$ to $5.5\text{ V}$	150	230	ps

## 6.8 Typical Characteristics

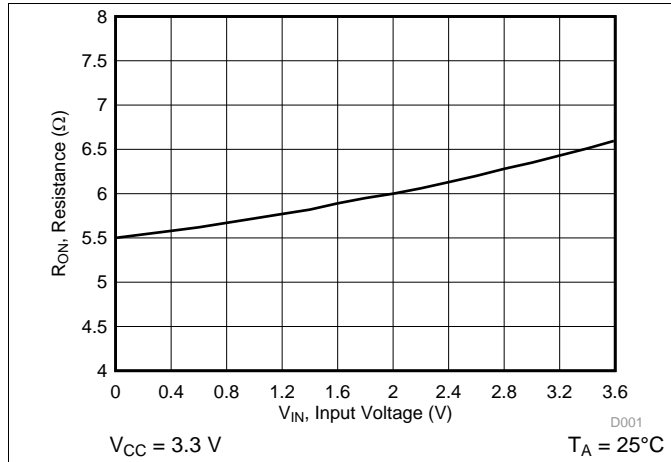


Figure 1. ON-Resistance vs Input Voltage

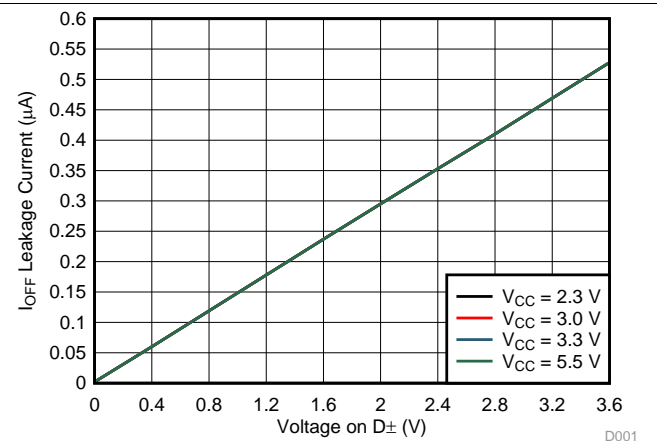


Figure 2.  $I_{OFF}$  Leakage Current vs Voltage on  $D_{\pm}$

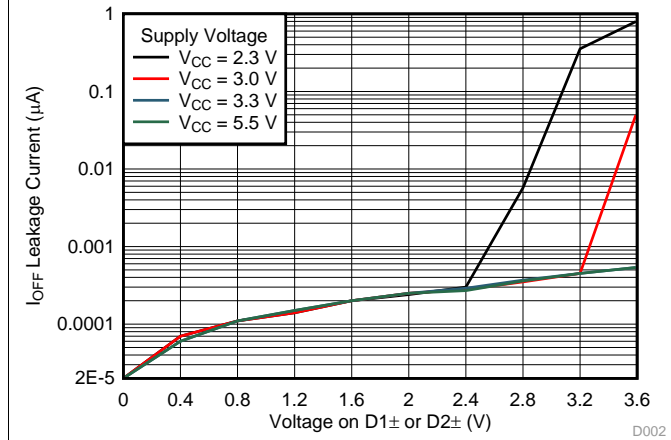


Figure 3.  $I_{OFF}$  Leakage Current vs Voltage on  $D1_{\pm}$  or  $D2_{\pm}$

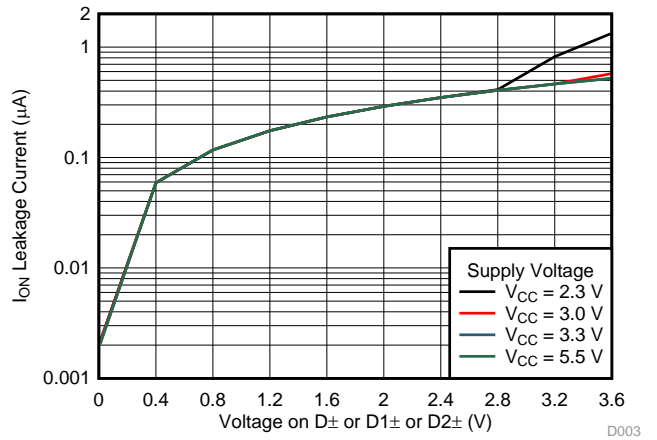
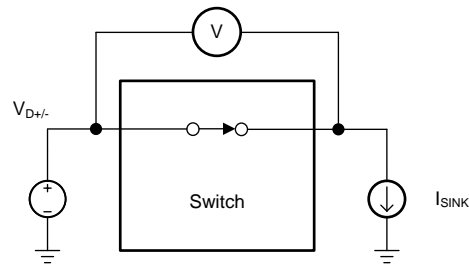


Figure 4.  $I_{ON}$  Leakage Current vs Voltage on  $D_{\pm}$  or  $D1_{\pm}$  or  $D2_{\pm}$

## 7 Parameter Measurement Information



Channel ON,  $R_{ON} = V/I_{SINK}$

Figure 5. ON-State Resistance ( $R_{ON}$ )

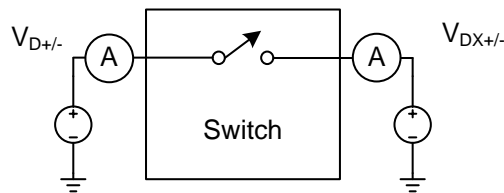


Figure 6. Off Leakage

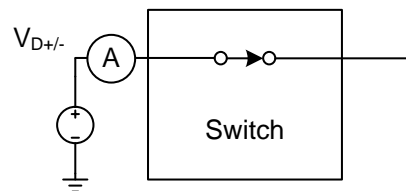
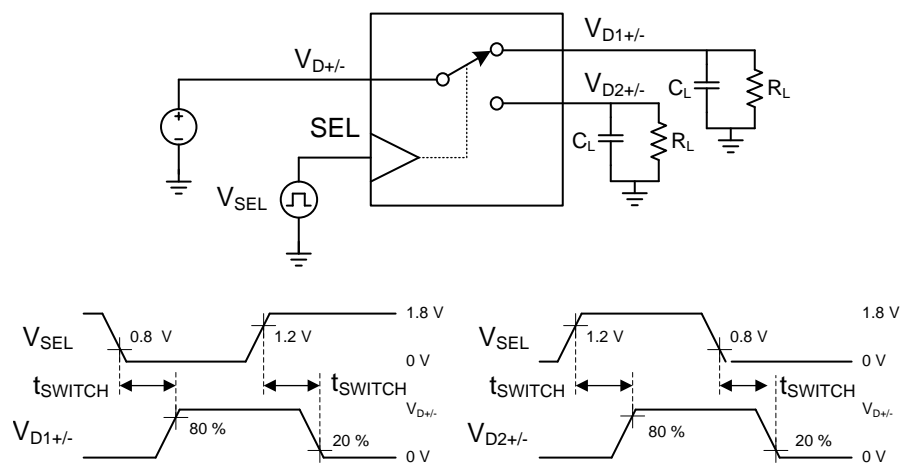


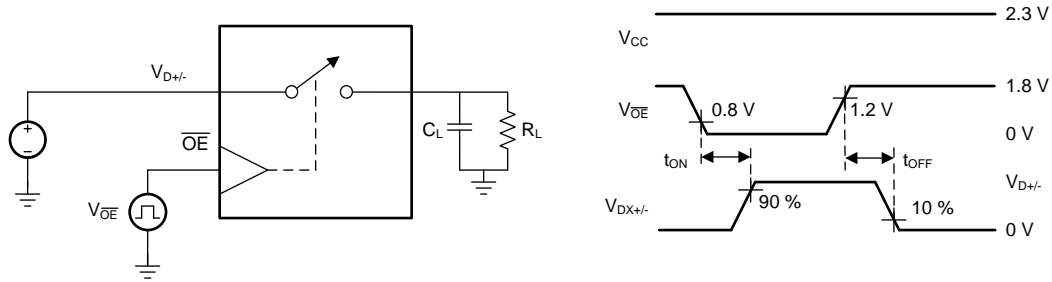
Figure 7. On Leakage



- (1) All input pulses are supplied by generators having the following characteristics:  $PRR \leq 10 \text{ MHz}$ ,  $Z_O = 50 \Omega$ ,  $t_r < 500 \text{ ps}$ ,  $t_f < 500 \text{ ps}$ .
- (2)  $C_L$  includes probe and jig capacitance.

Figure 8.  $t_{SWITCH}$  Timing

Parameter Measurement Information (continued)



- (1) All input pulses are supplied by generators having the following characteristics: PRR = 10 MHz,  $Z_0 = 50 \Omega$ ,  $t_r < 500$  ps,  $t_f < 500$  ps.
- (2)  $C_L$  includes probe and jig capacitance.

Figure 9.  $t_{ON}$ ,  $t_{OFF}$  for  $\overline{OE}$

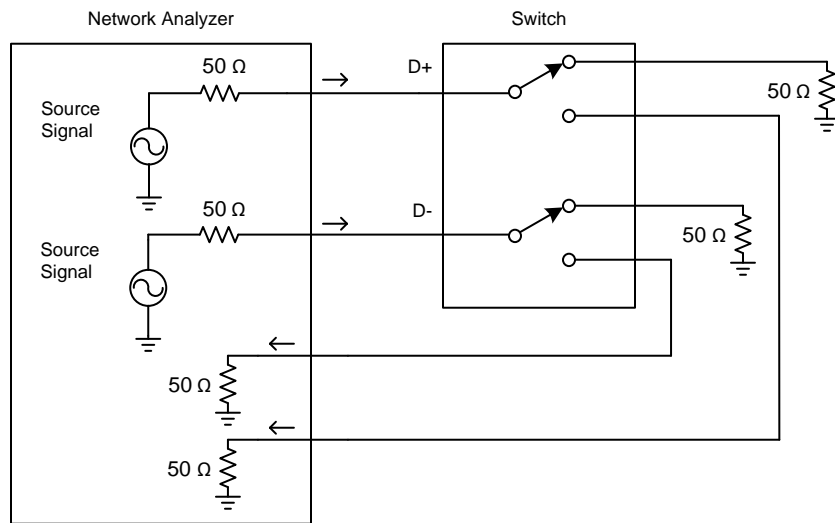


Figure 10. Off Isolation

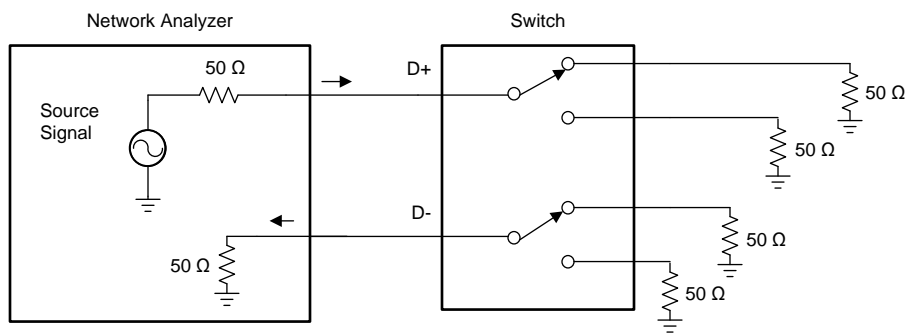
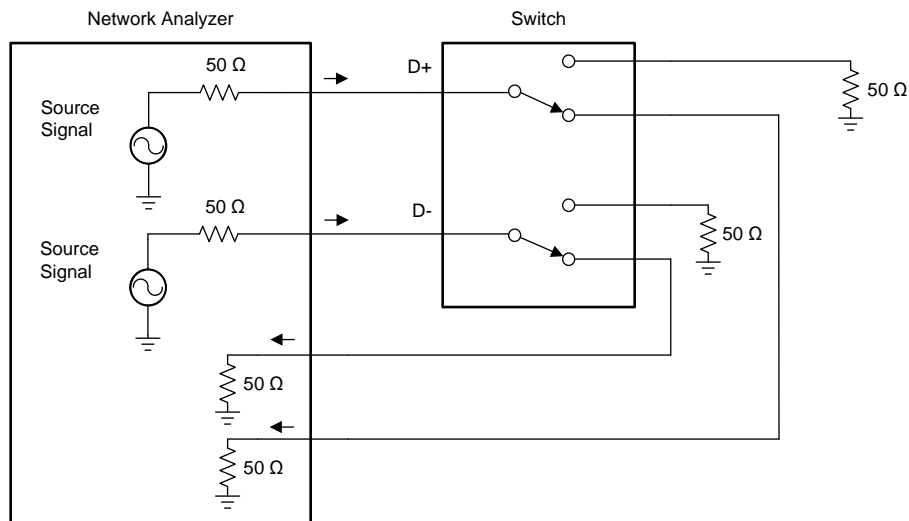
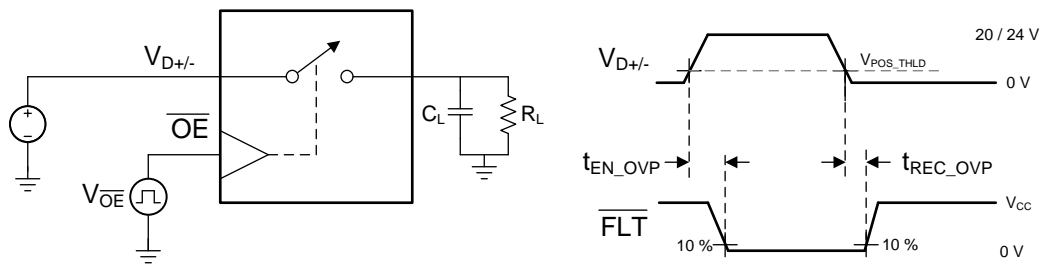


Figure 11. Cross Talk

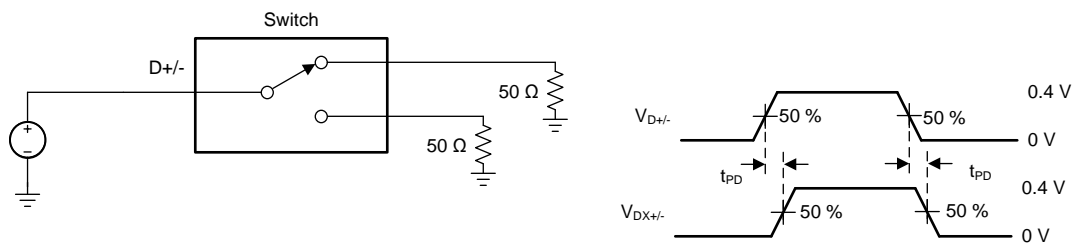
**Parameter Measurement Information (continued)**



**Figure 12. BW and Insertion Loss**



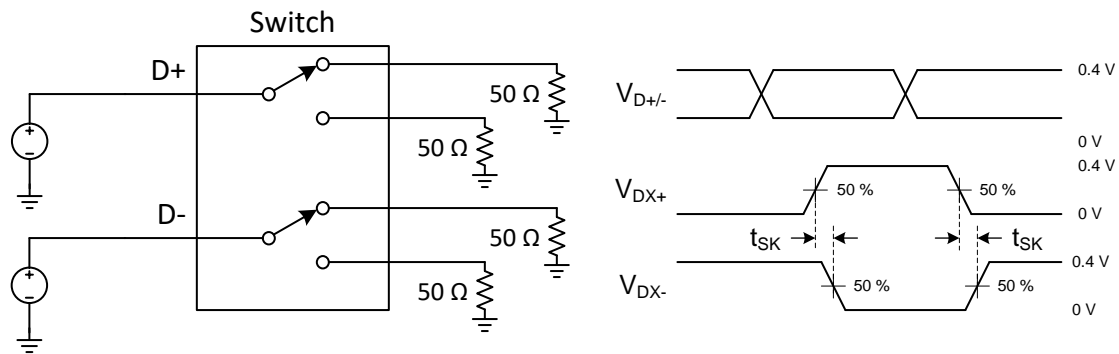
**Figure 13.  $t_{EN\_OVP}$  and  $t_{DIS\_OVP}$  Timing Diagram**



- (1) All input pulses are supplied by generators having the following characteristics: PRR = 240 MHz,  $Z_O = 50 \Omega$ ,  $t_r < 500$  ps,  $t_f < 500$  ps.
- (2)  $C_L$  includes probe and jig capacitance.

**Figure 14.  $t_{PD}$**

**Parameter Measurement Information (continued)**



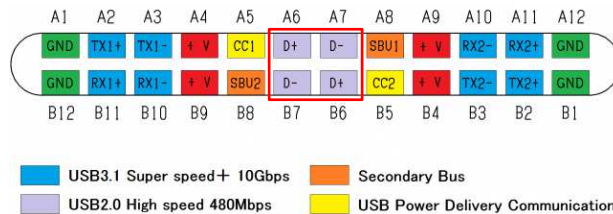
- (1) All input pulses are supplied by generators having the following characteristics:  $PRR \leq 10 \text{ MHz}$ ,  $Z_O = 50 \Omega$ ,  $t_r < 500 \text{ ps}$ ,  $t_f < 500 \text{ ps}$ .
- (2)  $C_L$  includes probe and jig capacitance.

**Figure 15.  $t_{SK}$**

## 8 Detailed Description

### 8.1 Overview

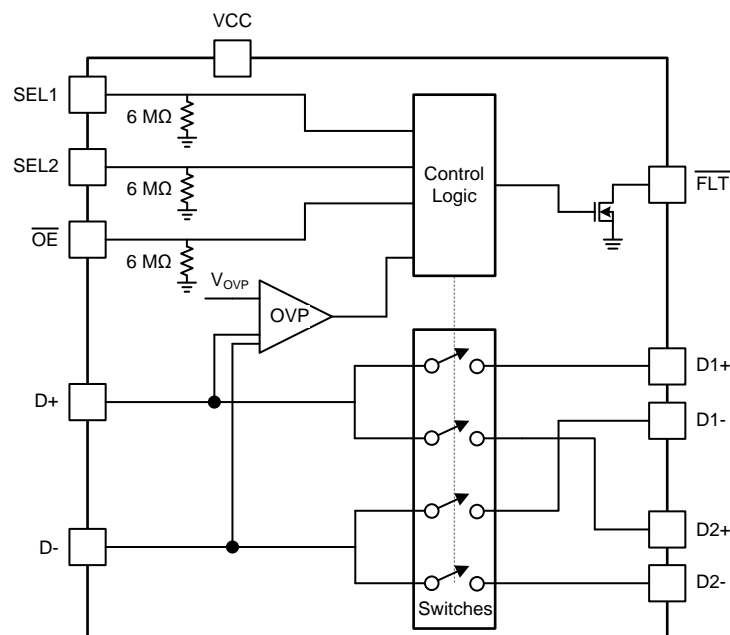
The TS5USBC41 is a bidirectional low-power dual port, high-speed, USB 2.0 analog switch with integrated protection for USB Type-C systems. The device is configured as a dual 2:1 or 1:2 switch and is optimized for handling the USB 2.0 D+/- lines in a USB Type-C system as shown in Figure 16.



**Figure 16. USB Type-C Connector Pinout**

The TS5USBC41 also works in traditional USB systems that need protection from fault conditions such as automotive and applications that require higher voltage charging. The device maintains excellent signal integrity through the optimization of both  $R_{ON}$  and BW while protecting the system with 20 V (TS5USBC410) and 24 V (TS5USBC412) OVP protection. The OVP implementation is designed to protect sensitive system components behind the switch that cannot survive a fault condition where VBUS is shorted to the D+ and D- pins on the connector.

### 8.2 Functional Block Diagram



### 8.3 Feature Description

#### 8.3.1 Powered-off Protection

When the TS5USBC41 is powered off the I/Os of the device remain in a high-Z state. The crosstalk, off-isolation, and leakage remain within the [Electrical Specifications](#).

This prevents errant voltages from reaching the rest of the system and maintains isolation when the system is powering up.

#### 8.3.2 Overvoltage Protection

The OVP of the TS5USBC41 is designed to protect the system from D+/- shorts to VBUS at the USB and USB Type-C connector. [Figure 17](#) depicts a moisture short that would cause high voltage (20 V for TS5USBC410 or 20 V for TS5USBC412) to appear on an existing USB solution that could pass through the device and damage components behind the device.

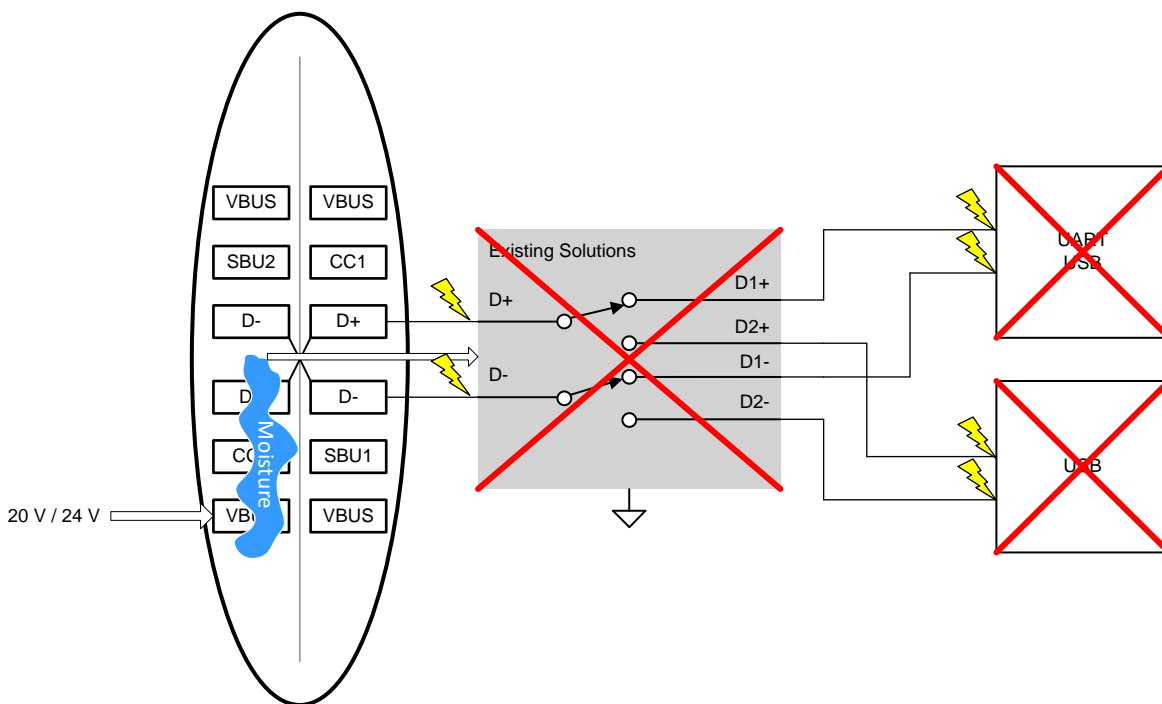


Figure 17. Existing Solution Being Damaged by a Short

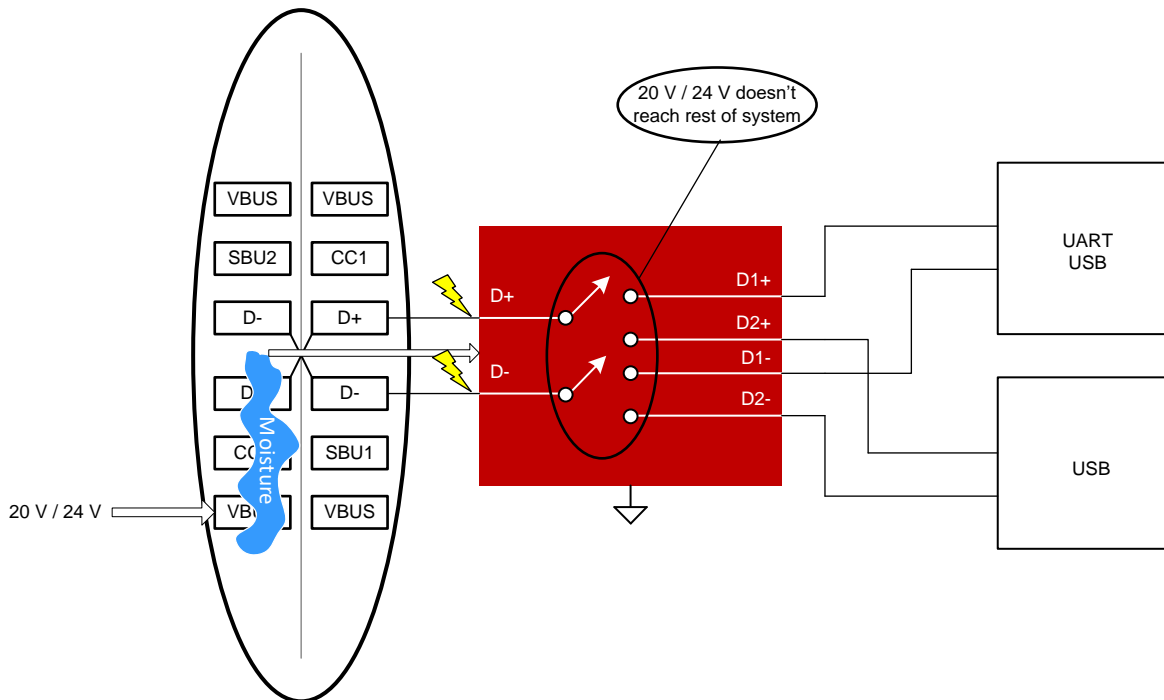
**TS5USBC41**

SCDS377B – MARCH 2018 – REVISED JUNE 2018

www.ti.com

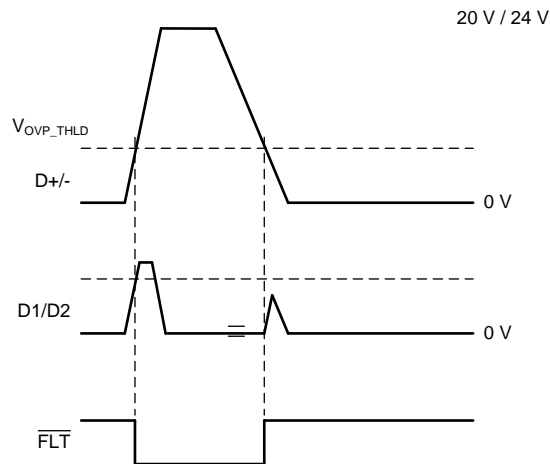
**Feature Description (continued)**

The TS5USBC41 will open the switches and protect the rest of the system by blocking the 20 V / 24 V as depicted in [Figure 18](#).



**Figure 18. Protecting During a 20-V / 24-V Short**

[Figure 19](#) is a waveform showing the voltage on the pins during an over-voltage scenario.



**Figure 19. Overvoltage Protection Waveform**

## 8.4 Device Functional Modes

### 8.4.1 Pin Functions

**Table 1. Function Table**

$\overline{OE}$	SEL1	SEL2	D- Connection	D+ Connection
H	X	X	High-Z	High-Z
L	L	L	D- to D1-	D+ to D1+
L	L	H	D- to D1-	D+ to D2+
L	H	L	D- to D2-	D+ to D1+
L	H	H	D- to D2-	D+ to D2+

## 9 Application and Implementation

### NOTE

Information in the following applications sections is not part of the TI component specification, and TI does not warrant its accuracy or completeness. TI's customers are responsible for determining suitability of components for their purposes. Customers should validate and test their design implementation to confirm system functionality.

### 9.1 Application Information

There are many USB applications in which the USB hubs or controllers have a limited number of USB I/Os or need to route signals from a single USB connector. The TS5USBC41 solution can effectively expand the limited USB I/Os by switching between multiple USB buses to interface them to a single USB hub or controller or route signals from one connector to two different locations. With independent control of the two switches using SEL1 and SEL2, TS5USBC41 can be used to cross switch single ended signals.

### 9.2 Typical Application

TS5USBC41 USB/UART switch. The TS5USBC41 is used to switch signals between the USB path, which goes to the baseband or application processor, or the UART path, which goes to debug port. The TS5USBC41 has internal 6-M $\Omega$  pull-down resistors on SEL1, SEL2, and OE. The pull-down on SEL1 and SEL2 pins ensure the D1+/D1- channel is selected by default. The pull-down on OE enables the switch when power is applied.

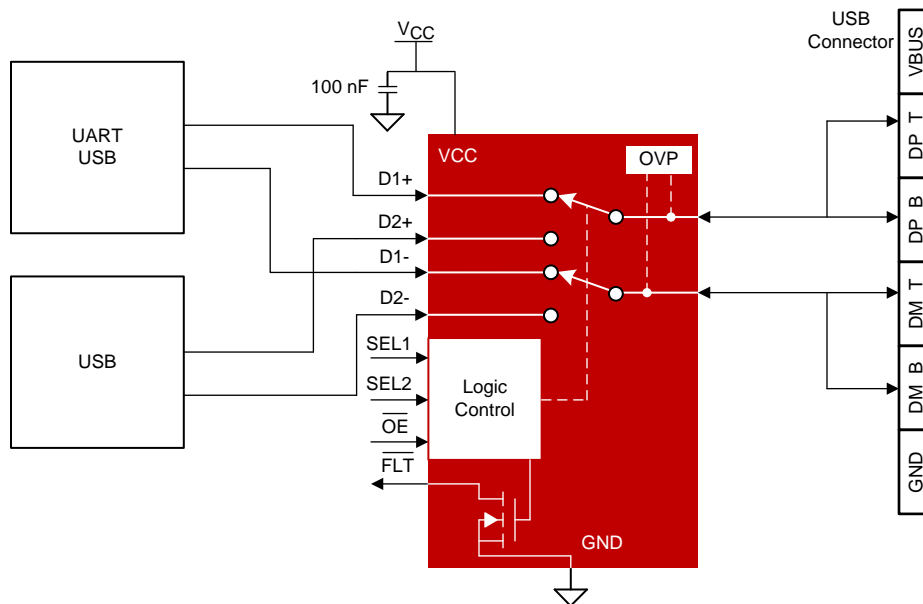


Figure 20. Typical Application

#### 9.2.1 Design Requirements

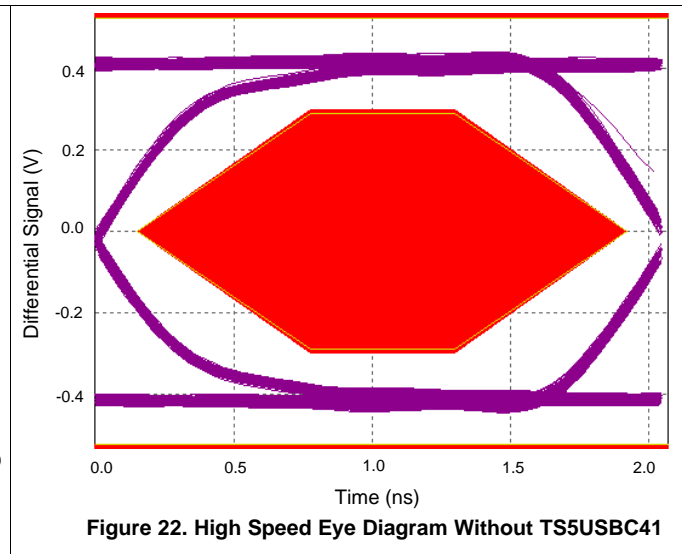
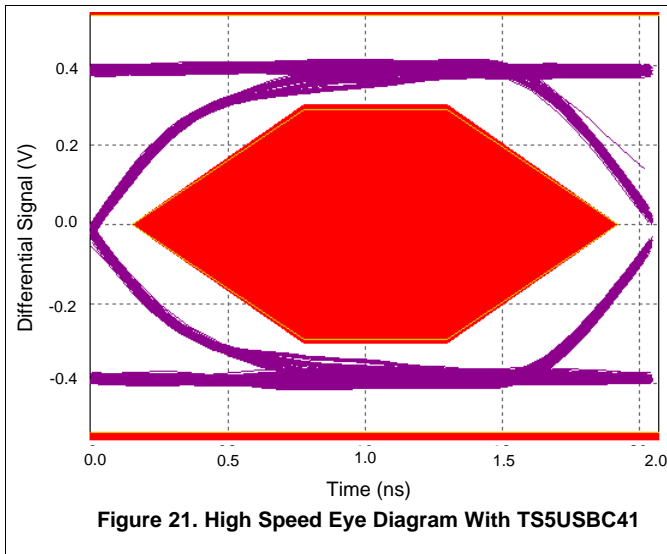
Design requirements of USB 1.0, 1.1, and 2.0 standards must be followed. The TS5USBC41 has internal 6-M $\Omega$  pull-down resistors on SEL1, SEL2, and OE, so no external resistors are required on the logic pins. The internal pull-down resistor on SEL1 and SEL2 pins ensures the D1+ and D1- channels are selected by default. The internal pull-down resistor on OE enables the switch when power is applied to VCC.

#### 9.2.2 Detailed Design Procedure

The TS5USBC41 can be properly operated without any external components. However, TI recommends that unused pins must be connected to ground through a 50- $\Omega$  resistor to prevent signal reflections back into the device. TI does recommend a 100-nF bypass capacitor placed close to TS5USBC41 VCC pin.

## Typical Application (continued)

### 9.2.3 Application Curves



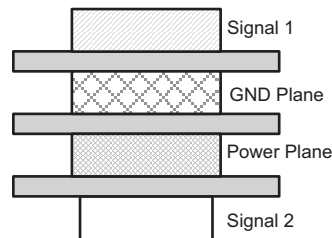
## 10 Power Supply Recommendations

Power to the device is supplied through the VCC pin and must follow the USB 1.0, 1.1, and 2.0 standards. TI recommends placing a 100 nF bypass capacitor as close to the supply pin VCC as possible to help smooth out lower frequency noise to provide better load regulation across the frequency spectrum.

## 11 Layout

### 11.1 Layout Guidelines

1. Place supply bypass capacitors as close to VCC pin as possible and avoid placing the bypass caps near the D± traces.
2. The high-speed D± must match and be no more than 4 inches long; otherwise, the eye diagram performance may be degraded. A high-speed USB connection is made through a shielded, twisted pair cable with a differential characteristic impedance. In layout, the impedance of D+ and D– traces must match the cable characteristic differential impedance for optimal performance.
3. Route the high-speed USB signals using a minimum of vias and corners which reduces signal reflections and impedance changes. When a via must be used, increase the clearance size around it to minimize its capacitance. Each via introduces discontinuities in the signal's transmission line and increases the chance of picking up interference from the other layers of the board. Be careful when designing test points on twisted pair lines; through-hole pins are not recommended.
4. When it becomes necessary to turn 90°, use two 45° turns or an arc instead of making a single 90° turn. This reduces reflections on the signal traces by minimizing impedance discontinuities.
5. Do not route USB traces under or near crystals, oscillators, clock signal generators, switching regulators, mounting holes, magnetic devices or ICs that use or duplicate clock signals.
6. Avoid stubs on the high-speed USB signals due to signal reflections. If a stub is unavoidable, then the stub must be less than 200 mm.
7. Route all high-speed USB signal traces over continuous GND planes, with no interruptions.
8. Avoid crossing over anti-etch, commonly found with plane splits.
9. Due to high frequencies associated with the USB, a printed circuit board with at least four layers is recommended; two signal layers separated by a ground and power layer as shown in [Figure 23](#).

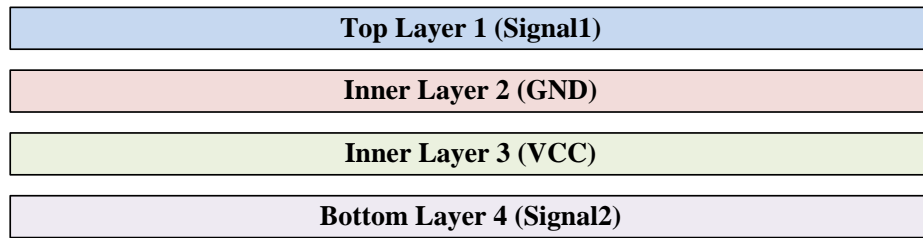


**Figure 23. Four-Layer Board Stack-Up**

The majority of signal traces must run on a single layer, preferably Signal 1. Immediately next to this layer must be the GND plane, which is solid with no cuts. Avoid running signal traces across a split in the ground or power plane. When running across split planes is unavoidable, sufficient decoupling must be used. Minimizing the number of signal vias reduces EMI by reducing inductance at high frequencies.

## 11.2 Layout Example

Example 4 layer PCB Stackup



- Via to layer 2 (GND)
- Via to layer 3 (VCC)
- Via to layer 4 (Signal)

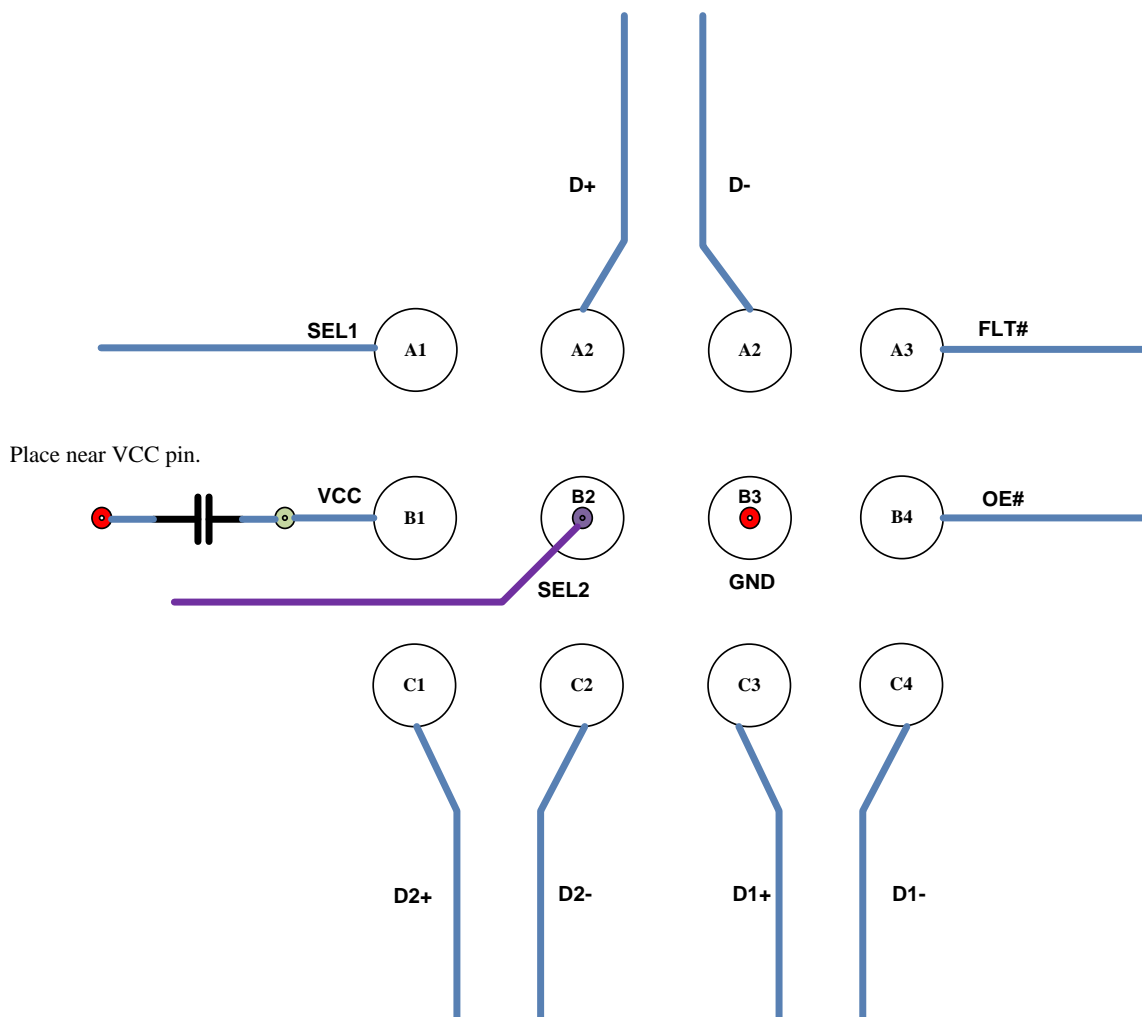


Figure 24. Layout Example

## 12 Device and Documentation Support

### 12.1 Documentation Support

#### 12.1.1 Related Documentation

For related documentation see the following:

- [USB 2.0 Board Design and Layout Guidelines](#)
- [High-Speed Layout Guidelines Application Report](#)
- [High-Speed Interface Layout Guidelines](#)

### 12.2 Receiving Notification of Documentation Updates

To receive notification of documentation updates, navigate to the device product folder on ti.com. In the upper right corner, click on *Alert me* to register and receive a weekly digest of any product information that has changed. For change details, review the revision history included in any revised document.

### 12.3 Community Resources

The following links connect to TI community resources. Linked contents are provided "AS IS" by the respective contributors. They do not constitute TI specifications and do not necessarily reflect TI's views; see TI's [Terms of Use](#).

**TI E2E™ Online Community** *TI's Engineer-to-Engineer (E2E) Community*. Created to foster collaboration among engineers. At e2e.ti.com, you can ask questions, share knowledge, explore ideas and help solve problems with fellow engineers.

**Design Support** *TI's Design Support* Quickly find helpful E2E forums along with design support tools and contact information for technical support.

### 12.4 Trademarks

E2E is a trademark of Texas Instruments.  
 USB Type-C is a trademark of USB Implementers Forum.  
 All other trademarks are the property of their respective owners.

### 12.5 Electrostatic Discharge Caution



This integrated circuit can be damaged by ESD. Texas Instruments recommends that all integrated circuits be handled with appropriate precautions. Failure to observe proper handling and installation procedures can cause damage.

ESD damage can range from subtle performance degradation to complete device failure. Precision integrated circuits may be more susceptible to damage because very small parametric changes could cause the device not to meet its published specifications.

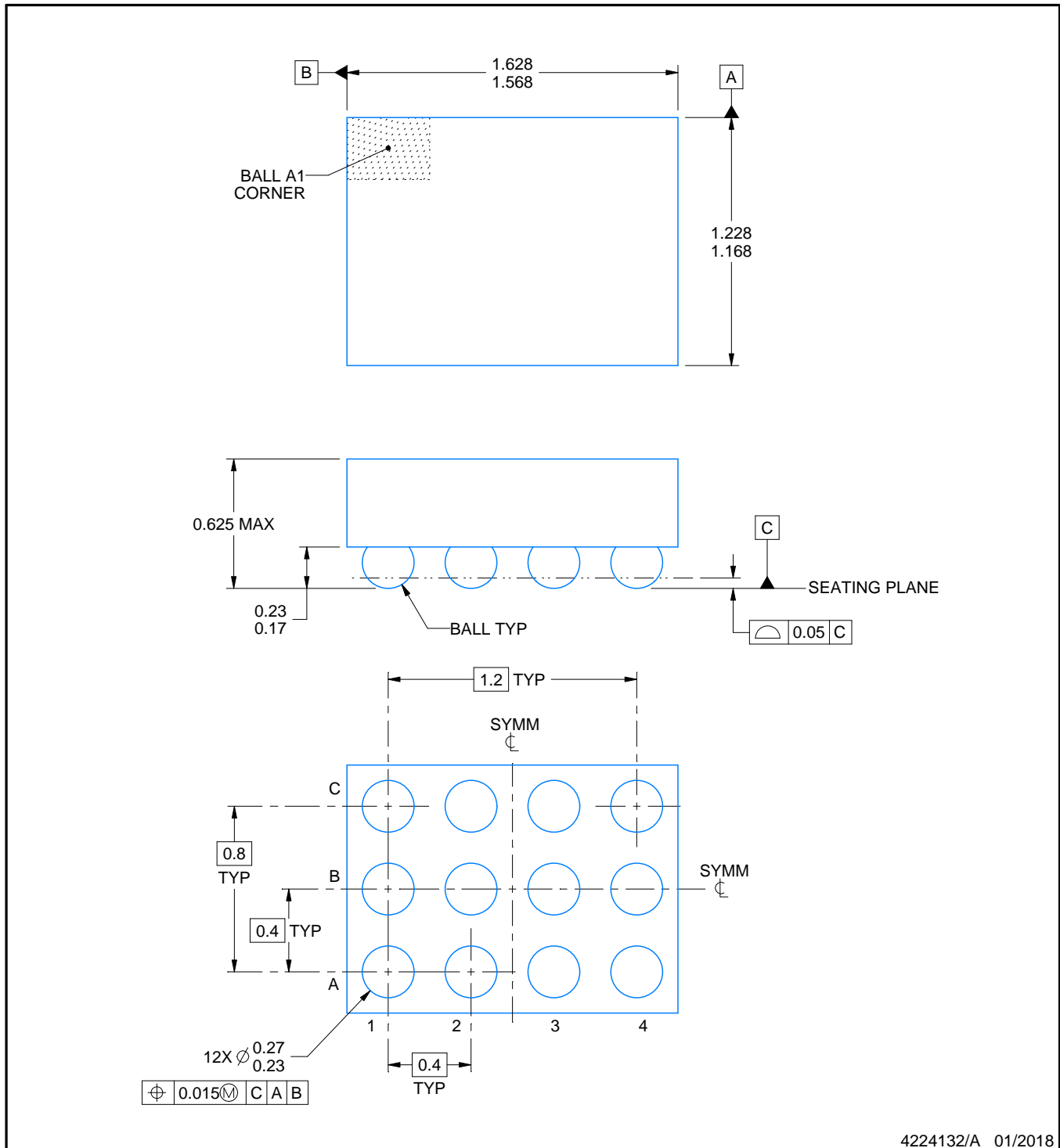
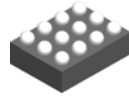
### 12.6 Glossary

[SLYZ022](#) — *TI Glossary*.

This glossary lists and explains terms, acronyms, and definitions.

## 13 Mechanical, Packaging, and Orderable Information

The following pages include mechanical, packaging, and orderable information. This information is the most current data available for the designated devices. This data is subject to change without notice and revision of this document. For browser-based versions of this data sheet, refer to the left-hand navigation.

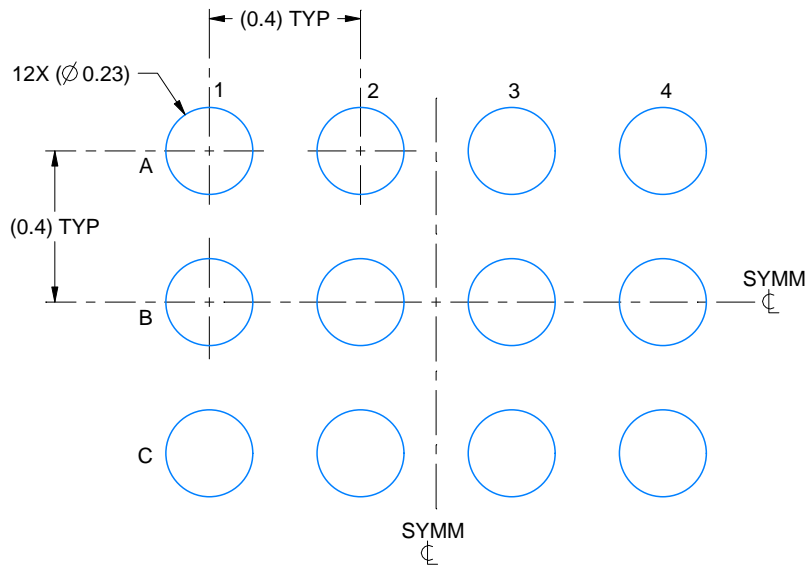


4224132/A 01/2018

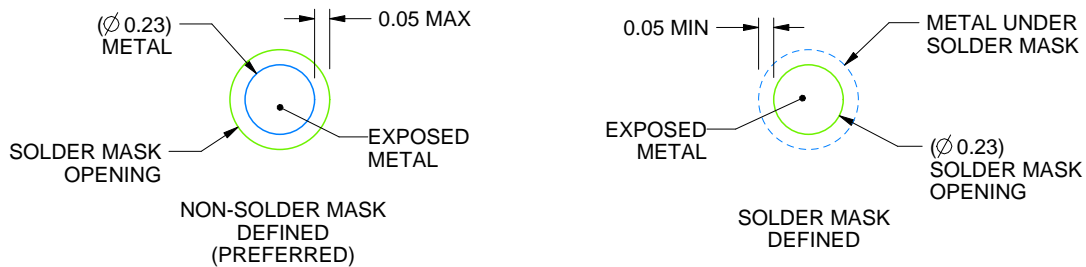
NOTES:

NanoFree is a trademark of Texas Instruments.

1. All linear dimensions are in millimeters. Any dimensions in parenthesis are for reference only. Dimensioning and tolerancing per ASME Y14.5M.
2. This drawing is subject to change without notice.
3. NanoFree™ package configuration.



LAND PATTERN EXAMPLE  
EXPOSED METAL SHOWN  
SCALE:50X

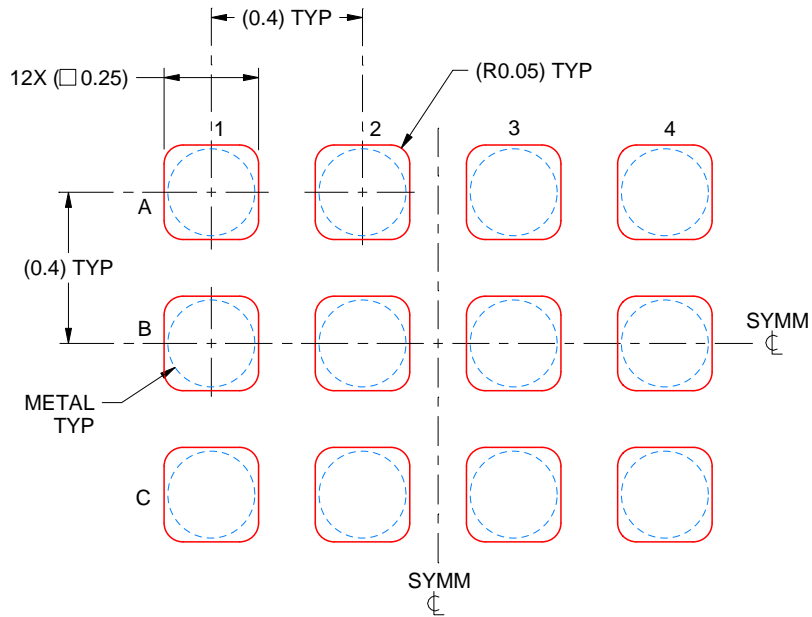


SOLDER MASK DETAILS  
NOT TO SCALE

4224132/A 01/2018

NOTES: (continued)

- Final dimensions may vary due to manufacturing tolerance considerations and also routing constraints. For more information, see Texas Instruments literature number SNVA009 ([www.ti.com/lit/snva009](http://www.ti.com/lit/snva009)).



SOLDER PASTE EXAMPLE  
BASED ON 0.1 mm THICK STENCIL  
SCALE:50X

4224132/A 01/2018

NOTES: (continued)

4. Laser cutting apertures with trapezoidal walls and rounded corners may offer better paste release.

**PACKAGING INFORMATION**

Orderable Device	Status (1)	Package Type	Package Drawing	Pins	Package Qty	Eco Plan (2)	Lead finish/ Ball material (6)	MSL Peak Temp (3)	Op Temp (°C)	Device Marking (4/5)	Samples
TS5USBC410IYFFR	ACTIVE	DSBGA	YFF	12	3000	RoHS & Green	SNAGCU	Level-1-260C-UNLIM	-40 to 85	TU41	<a href="#">Samples</a>
TS5USBC410IYFFT	ACTIVE	DSBGA	YFF	12	250	RoHS & Green	SNAGCU	Level-1-260C-UNLIM	-40 to 85	TU41	<a href="#">Samples</a>
TS5USBC410YFFR	ACTIVE	DSBGA	YFF	12	3000	RoHS & Green	SNAGCU	Level-1-260C-UNLIM	0 to 70	TU41	<a href="#">Samples</a>
TS5USBC410YFFT	ACTIVE	DSBGA	YFF	12	250	RoHS & Green	SNAGCU	Level-1-260C-UNLIM	0 to 70	TU41	<a href="#">Samples</a>
TS5USBC412IYFFR	ACTIVE	DSBGA	YFF	12	3000	RoHS & Green	SNAGCU	Level-1-260C-UNLIM	-40 to 85	TU41	<a href="#">Samples</a>
TS5USBC412IYFFT	ACTIVE	DSBGA	YFF	12	250	RoHS & Green	SNAGCU	Level-1-260C-UNLIM	-40 to 85	TU41	<a href="#">Samples</a>
TS5USBC412YFFR	ACTIVE	DSBGA	YFF	12	3000	RoHS & Green	SNAGCU	Level-1-260C-UNLIM	0 to 70	TU41	<a href="#">Samples</a>
TS5USBC412YFFT	ACTIVE	DSBGA	YFF	12	250	RoHS & Green	SNAGCU	Level-1-260C-UNLIM	0 to 70	TU41	<a href="#">Samples</a>

(1) The marketing status values are defined as follows:

**ACTIVE:** Product device recommended for new designs.

**LIFEBUY:** TI has announced that the device will be discontinued, and a lifetime-buy period is in effect.

**NRND:** Not recommended for new designs. Device is in production to support existing customers, but TI does not recommend using this part in a new design.

**PREVIEW:** Device has been announced but is not in production. Samples may or may not be available.

**OBSOLETE:** TI has discontinued the production of the device.

(2) **RoHS:** TI defines "RoHS" to mean semiconductor products that are compliant with the current EU RoHS requirements for all 10 RoHS substances, including the requirement that RoHS substance do not exceed 0.1% by weight in homogeneous materials. Where designed to be soldered at high temperatures, "RoHS" products are suitable for use in specified lead-free processes. TI may reference these types of products as "Pb-Free".

**RoHS Exempt:** TI defines "RoHS Exempt" to mean products that contain lead but are compliant with EU RoHS pursuant to a specific EU RoHS exemption.

**Green:** TI defines "Green" to mean the content of Chlorine (Cl) and Bromine (Br) based flame retardants meet JS709B low halogen requirements of <=1000ppm threshold. Antimony trioxide based flame retardants must also meet the <=1000ppm threshold requirement.

(3) MSL, Peak Temp. - The Moisture Sensitivity Level rating according to the JEDEC industry standard classifications, and peak solder temperature.

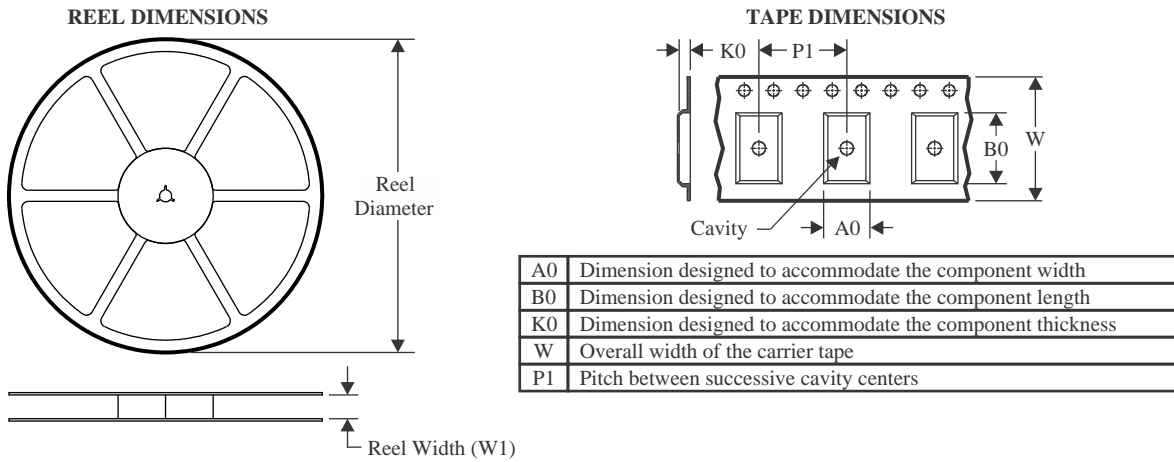
(4) There may be additional marking, which relates to the logo, the lot trace code information, or the environmental category on the device.

(5) Multiple Device Markings will be inside parentheses. Only one Device Marking contained in parentheses and separated by a "~" will appear on a device. If a line is indented then it is a continuation of the previous line and the two combined represent the entire Device Marking for that device.

<sup>(6)</sup> Lead finish/Ball material - Orderable Devices may have multiple material finish options. Finish options are separated by a vertical ruled line. Lead finish/Ball material values may wrap to two lines if the finish value exceeds the maximum column width.

**Important Information and Disclaimer:** The information provided on this page represents TI's knowledge and belief as of the date that it is provided. TI bases its knowledge and belief on information provided by third parties, and makes no representation or warranty as to the accuracy of such information. Efforts are underway to better integrate information from third parties. TI has taken and continues to take reasonable steps to provide representative and accurate information but may not have conducted destructive testing or chemical analysis on incoming materials and chemicals. TI and TI suppliers consider certain information to be proprietary, and thus CAS numbers and other limited information may not be available for release.

In no event shall TI's liability arising out of such information exceed the total purchase price of the TI part(s) at issue in this document sold by TI to Customer on an annual basis.

**TAPE AND REEL INFORMATION**

**QUADRANT ASSIGNMENTS FOR PIN 1 ORIENTATION IN TAPE**


\*All dimensions are nominal

Device	Package Type	Package Drawing	Pins	SPQ	Reel Diameter (mm)	Reel Width W1 (mm)	A0 (mm)	B0 (mm)	K0 (mm)	P1 (mm)	W (mm)	Pin1 Quadrant
TS5USBC410IYFFR	DSBGA	YFF	12	3000	180.0	8.4	1.38	1.76	0.77	4.0	8.0	Q2
TS5USBC410IYFFR	DSBGA	YFF	12	3000	180.0	8.4	1.38	1.76	0.77	4.0	8.0	Q2
TS5USBC410IYFFT	DSBGA	YFF	12	250	180.0	8.4	1.38	1.76	0.77	4.0	8.0	Q2
TS5USBC410IYFFT	DSBGA	YFF	12	250	180.0	8.4	1.38	1.76	0.77	4.0	8.0	Q2
TS5USBC410YFFR	DSBGA	YFF	12	3000	180.0	8.4	1.38	1.76	0.77	4.0	8.0	Q2
TS5USBC410YFFT	DSBGA	YFF	12	250	180.0	8.4	1.38	1.76	0.77	4.0	8.0	Q2
TS5USBC412IYFFR	DSBGA	YFF	12	3000	180.0	8.4	1.38	1.76	0.77	4.0	8.0	Q2
TS5USBC412IYFFT	DSBGA	YFF	12	250	180.0	8.4	1.38	1.76	0.77	4.0	8.0	Q2
TS5USBC412YFFR	DSBGA	YFF	12	3000	180.0	8.4	1.38	1.76	0.77	4.0	8.0	Q2
TS5USBC412YFFT	DSBGA	YFF	12	250	180.0	8.4	1.38	1.76	0.77	4.0	8.0	Q2

## TAPE AND REEL BOX DIMENSIONS



\*All dimensions are nominal

Device	Package Type	Package Drawing	Pins	SPQ	Length (mm)	Width (mm)	Height (mm)
TS5USBC410IYFFR	DSBGA	YFF	12	3000	182.0	182.0	20.0
TS5USBC410IYFFR	DSBGA	YFF	12	3000	182.0	182.0	20.0
TS5USBC410IYFFT	DSBGA	YFF	12	250	182.0	182.0	20.0
TS5USBC410IYFFT	DSBGA	YFF	12	250	182.0	182.0	20.0
TS5USBC410YFFR	DSBGA	YFF	12	3000	182.0	182.0	20.0
TS5USBC410YFFT	DSBGA	YFF	12	250	182.0	182.0	20.0
TS5USBC412IYFFR	DSBGA	YFF	12	3000	182.0	182.0	20.0
TS5USBC412IYFFT	DSBGA	YFF	12	250	182.0	182.0	20.0
TS5USBC412YFFR	DSBGA	YFF	12	3000	182.0	182.0	20.0
TS5USBC412YFFT	DSBGA	YFF	12	250	182.0	182.0	20.0

## IMPORTANT NOTICE AND DISCLAIMER

TI PROVIDES TECHNICAL AND RELIABILITY DATA (INCLUDING DATA SHEETS), DESIGN RESOURCES (INCLUDING REFERENCE DESIGNS), APPLICATION OR OTHER DESIGN ADVICE, WEB TOOLS, SAFETY INFORMATION, AND OTHER RESOURCES "AS IS" AND WITH ALL FAULTS, AND DISCLAIMS ALL WARRANTIES, EXPRESS AND IMPLIED, INCLUDING WITHOUT LIMITATION ANY IMPLIED WARRANTIES OF MERCHANTABILITY, FITNESS FOR A PARTICULAR PURPOSE OR NON-INFRINGEMENT OF THIRD PARTY INTELLECTUAL PROPERTY RIGHTS.

These resources are intended for skilled developers designing with TI products. You are solely responsible for (1) selecting the appropriate TI products for your application, (2) designing, validating and testing your application, and (3) ensuring your application meets applicable standards, and any other safety, security, regulatory or other requirements.

These resources are subject to change without notice. TI grants you permission to use these resources only for development of an application that uses the TI products described in the resource. Other reproduction and display of these resources is prohibited. No license is granted to any other TI intellectual property right or to any third party intellectual property right. TI disclaims responsibility for, and you will fully indemnify TI and its representatives against, any claims, damages, costs, losses, and liabilities arising out of your use of these resources.

TI's products are provided subject to [TI's Terms of Sale](#) or other applicable terms available either on [ti.com](https://www.ti.com) or provided in conjunction with such TI products. TI's provision of these resources does not expand or otherwise alter TI's applicable warranties or warranty disclaimers for TI products.

TI objects to and rejects any additional or different terms you may have proposed.

Mailing Address: Texas Instruments, Post Office Box 655303, Dallas, Texas 75265  
Copyright © 2023, Texas Instruments Incorporated

## Looking for pricing, stock, or lifecycle information?

Click below to explore more details on WIN SOURCE:

 [View TS5USBC412IYFFR on WIN SOURCE](#)

 [Texas Instruments](#) Information

## Optimize Your Supply Chain with WIN SOURCE Solutions

-  Global Sourcing Solution
-  Obsolete Management
-  Cost Control Management
-  Shortage Management
-  Alternative Solution
-  Excess Inventory Management