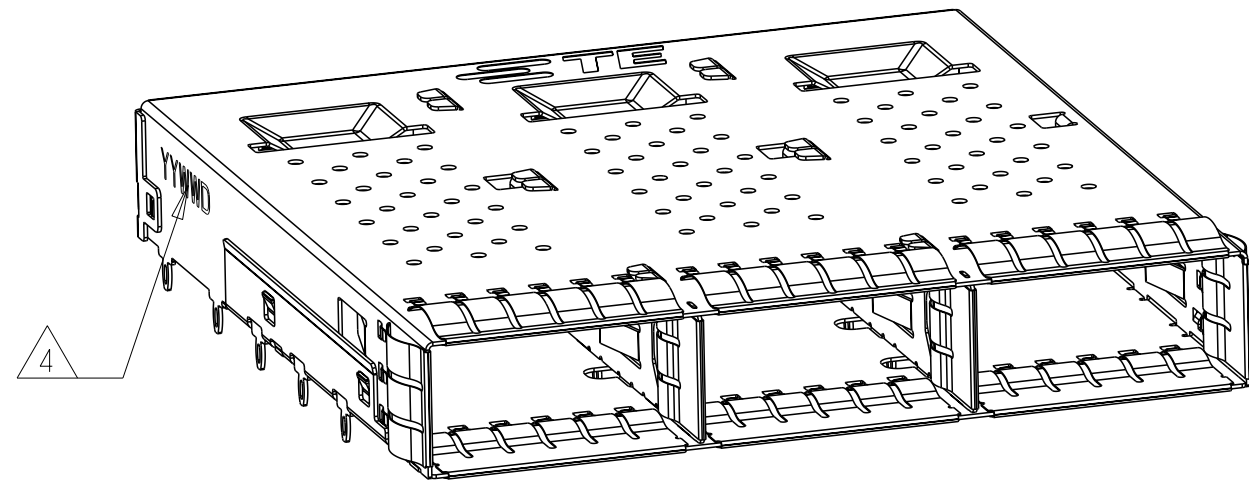




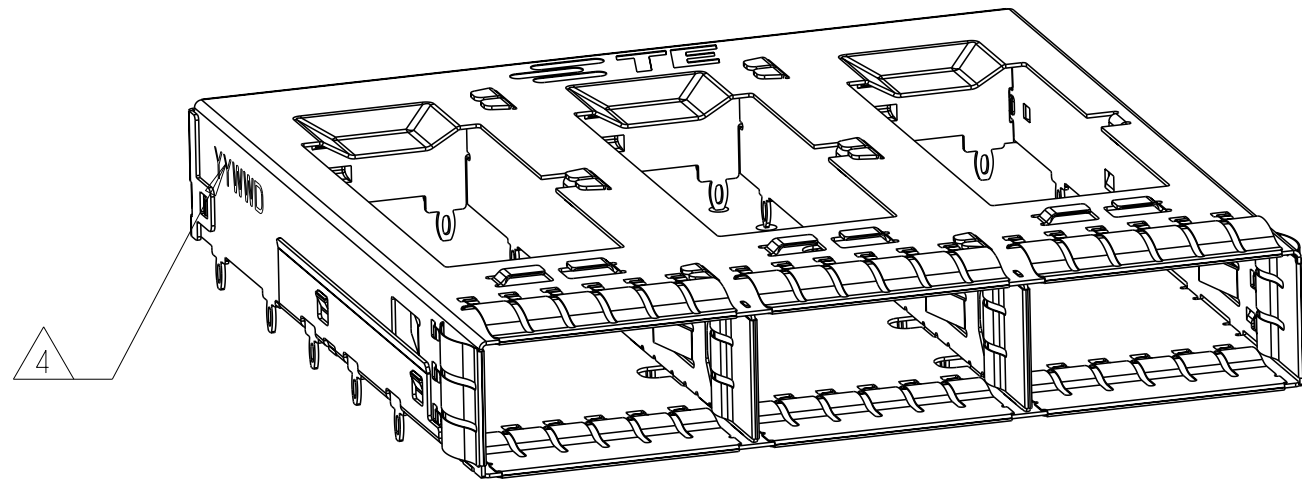
THE DATASHEET OF
2170737-5



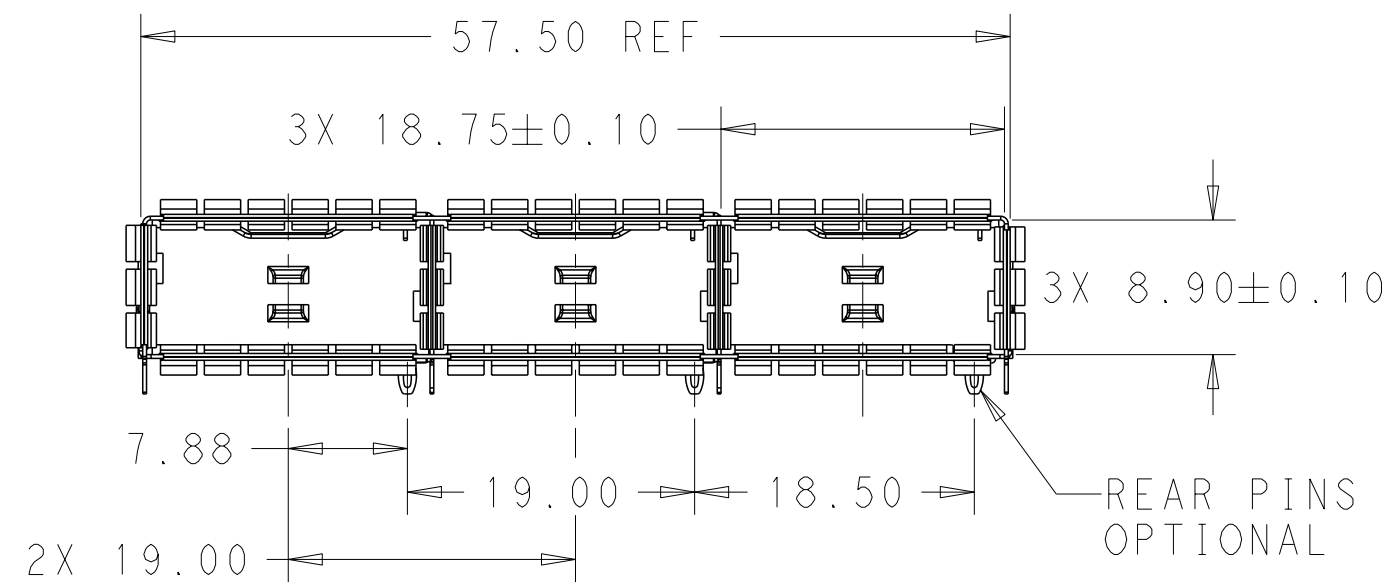
REVISIONS				
P	LTR	DESCRIPTION	DATE	APVD
A		INITIAL RELEASE	11MAR2016	JY SH



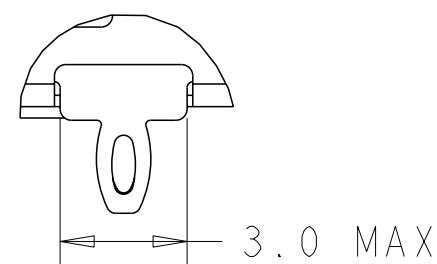
2170737-1, -4 AS SHOWN
SCALE 2:1



2170737-2, -5 AS SHOWN
SCALE 2:1

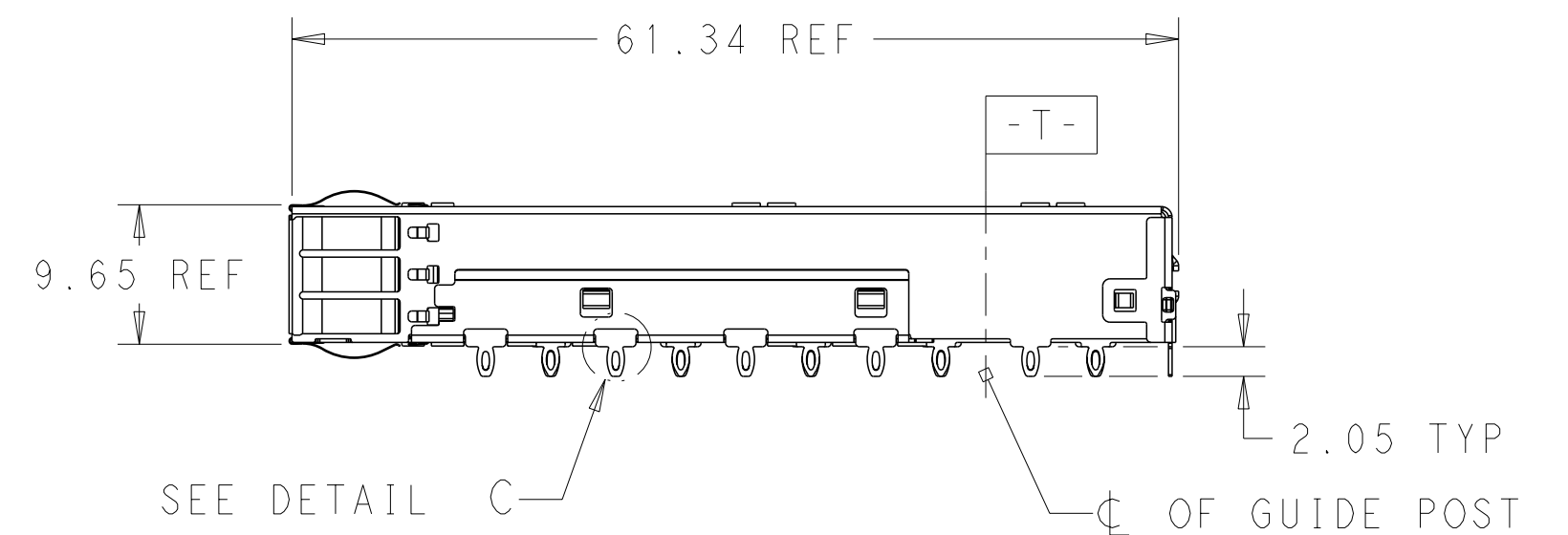


SCALE 2:1



DETAIL C
SCALE 6:1

- COMPONENTS
CAGE ASSEMBLY: NICKEL-SILVER ALLOY
EMI SPRING: COPPER ALLOY/NICKEL PLATE
- REFERENCE APPLICATION SPECIFICATION 114-32023 FOR RECOMMENDED DRILL HOLE DIAMETER AND PLATING THICKNESS
- DATUM AND BASIC DIMENSION ESTABLISHED BY CUSTOMER
- DATE CODE (YYWWD) MARKED APPROXIMATELY AS SHOWN.
- MATES WITH QSFP28 MSA COMPATIBLE TRANSCEIVER.
- MINIMUM PC BOARD THICKNESS: SINGLE SIDED: 1.57 MIN
DOUBLE SIDED: 2.20 MIN
- DATUM **-A-** IS TOP SURFACE OF THE HOST BOARD.
- THESE HOLES ARE OPTIONAL WHEN THE REAR PINS ARE REMOVED.

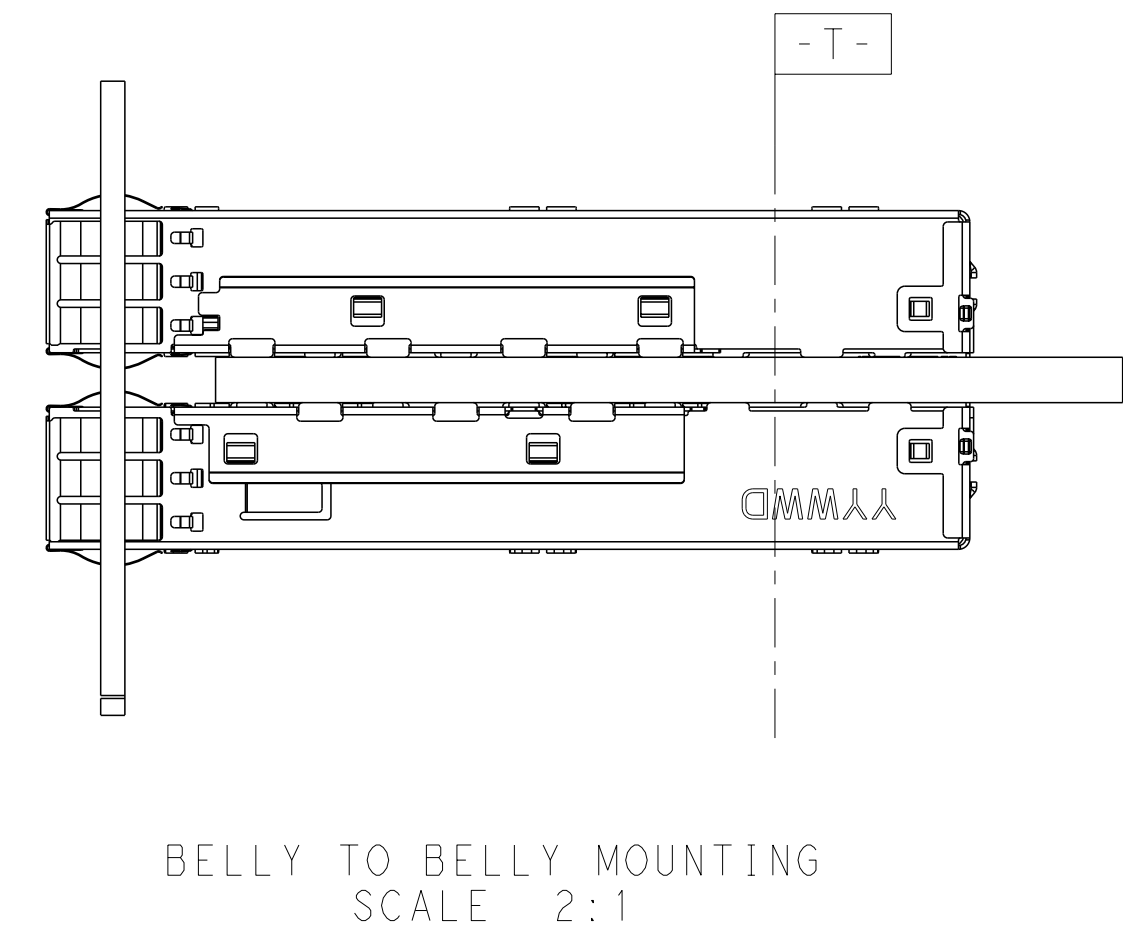
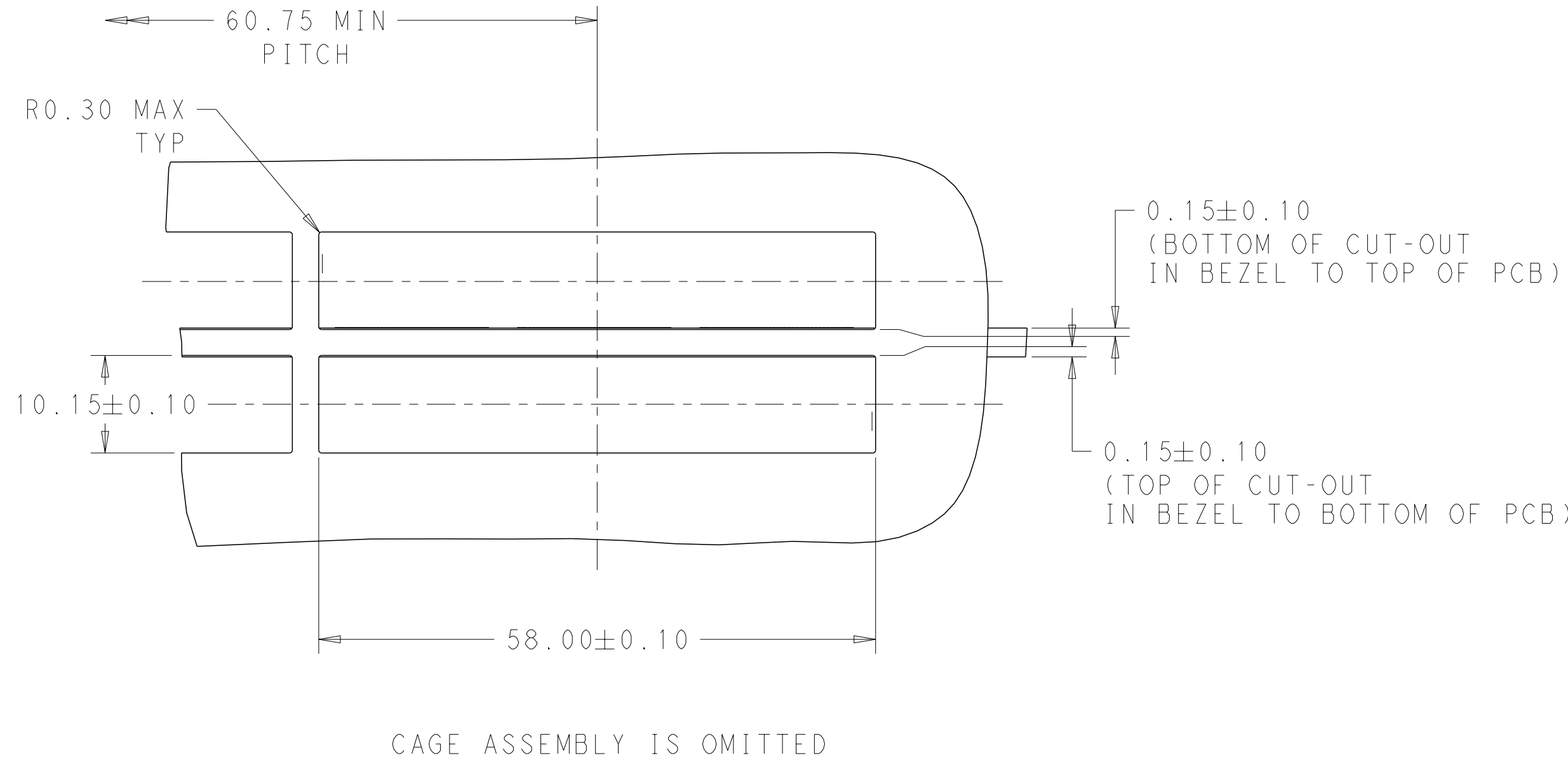
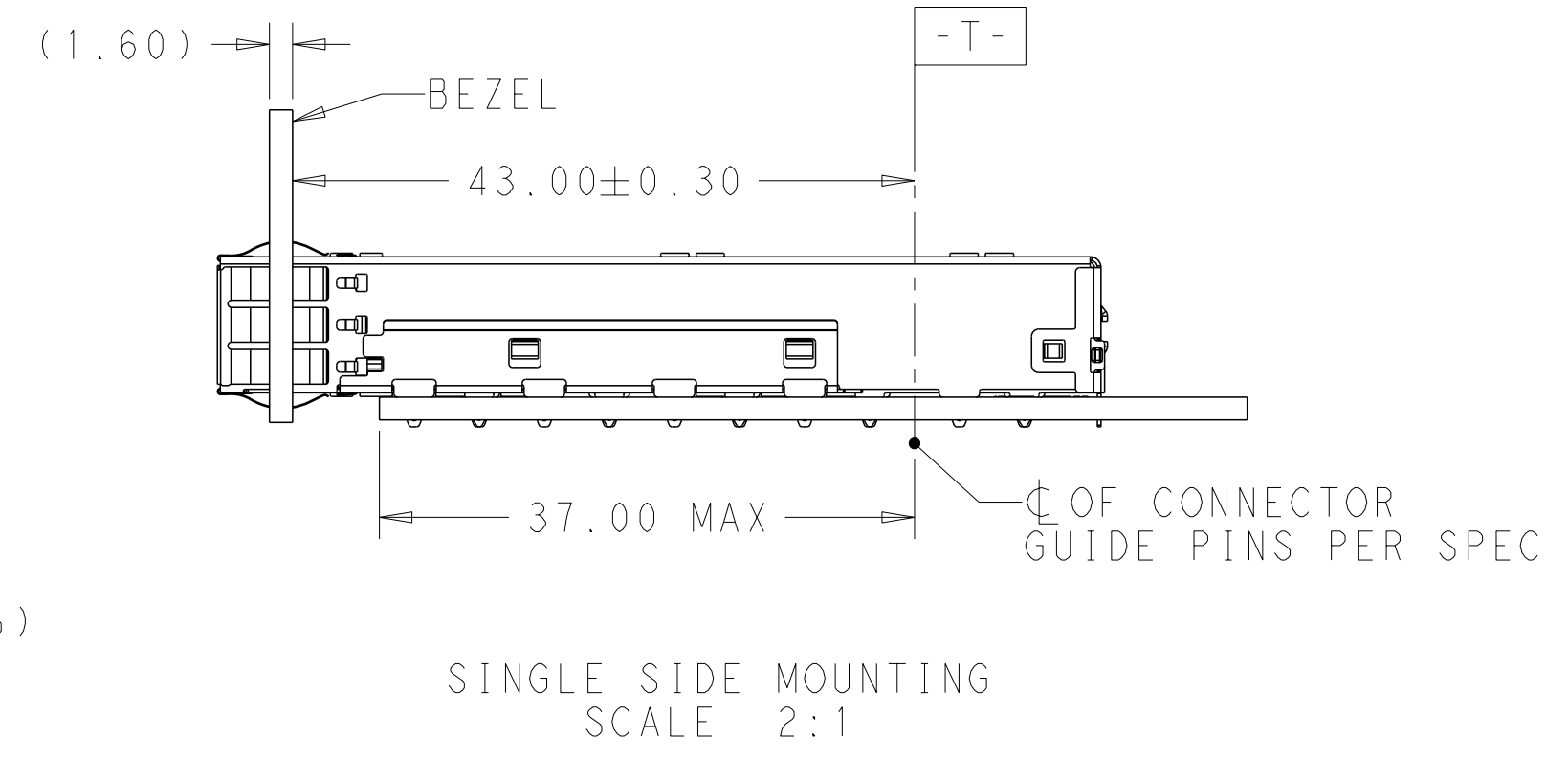
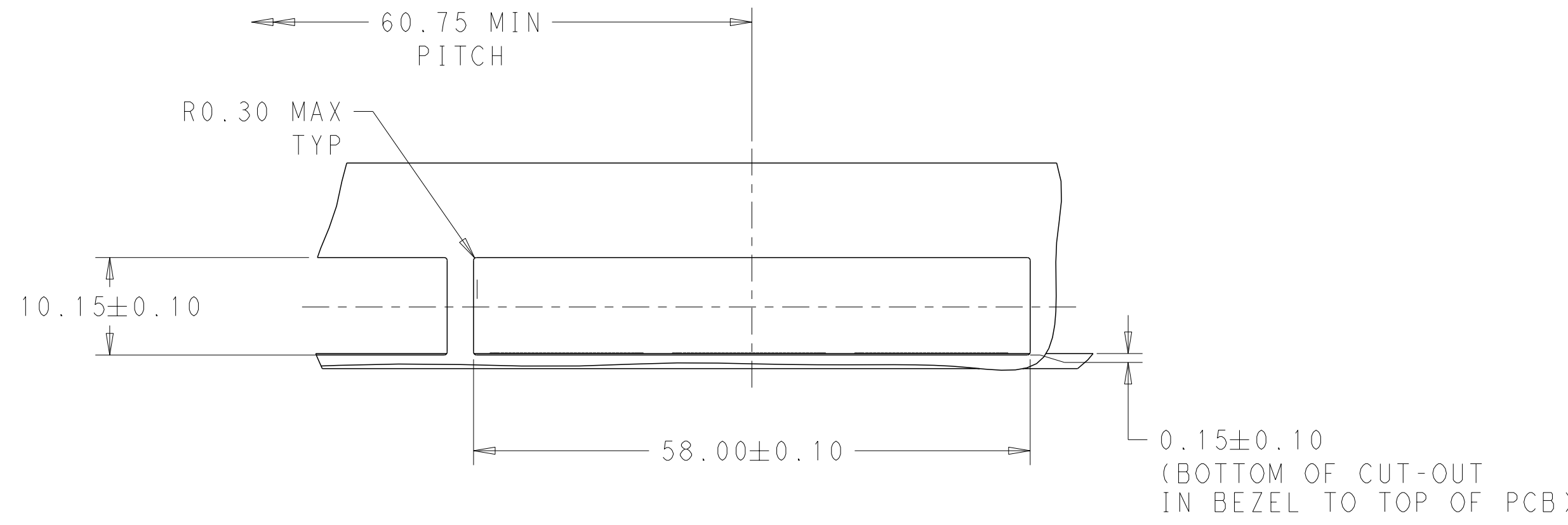


WITHOUT	WITH	2170737-5
WITHOUT	WITHOUT	2170737-4
WITH	WITH	2170737-2
WITH	WITHOUT	2170737-1
REAR PIN OPTIONAL	HEAT SINK OPEN OPTIONAL	PART NUMBER

THIS DRAWING IS A CONTROLLED DOCUMENT.		DWN BING LIU 11APR2014	TE Connectivity	
DIMENSIONS: mm		CHK JASON YANG 11APR2014		
TOLERANCES UNLESS OTHERWISE SPECIFIED:		APVD SEAN HAN 11MAR2016	NAME RECEPTACLE CAGE ASSEMBLY THRU BEZEL, 1X3, QSFP28	
0 PLC ±	1 PLC ±0.25	PRODUCT SPEC 108-19428	SIZE A200779	DRAWING NO C-2170737
2 PLC ±0.2	3 PLC ±	APPLICATION SPEC 114-32023	RESTRICTED TO	
4 PLC ±	ANGLES ±	WEIGHT -	SCALE 1:1	SHEET 1 OF 5
MATERIAL SEE NOTES	FINISH SEE NOTES	CUSTOMER DRAWING	REV A	

THIS DRAWING IS UNPUBLISHED. RELEASED FOR PUBLICATION 20
 © COPYRIGHT 20 BY - ALL RIGHTS RESERVED.

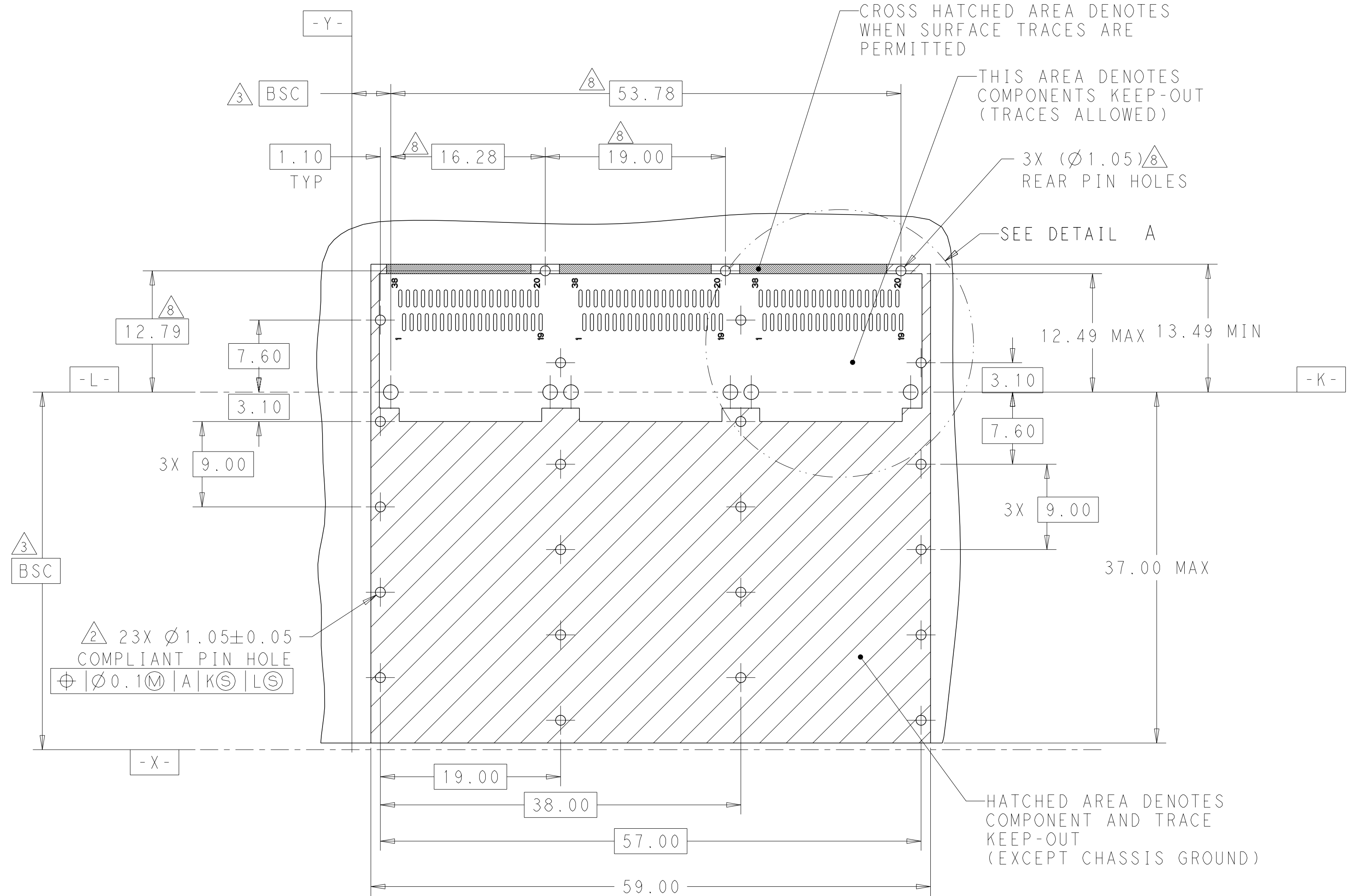
REVISIONS				
P	LTR	DESCRIPTION	DATE	APVD
-	-	SEE SHEET 1	-	-



THIS DRAWING IS A CONTROLLED DOCUMENT.		DWN BING LIU 11APR2014	STE TE Connectivity	
DIMENSIONS: mm		CHK JASON YANG 11APR2014		
TOLERANCES UNLESS OTHERWISE SPECIFIED:		APVD SEAN HAN 11MAR2016	NAME RECEPTACLE CAGE ASSEMBLY THRU BEZEL, 1X3, QSFP28	
0 PLC ±		PRODUCT SPEC 108-19428	SIZE CAGE CODE DRAWING NO RESTRICTED TO	
1 PLC ±0.25		APPLICATION SPEC 114-32023	A200779 C-2170737	
2 PLC ±0.2		WEIGHT -	SCALE 1:1 SHEET 2 OF 5 REV A	
3 PLC ±		CUSTOMER DRAWING		
4 PLC ±				
ANGLES ±				
FINISH				
MATERIAL SEE NOTES				
FINISH SEE NOTES				

THIS DRAWING IS UNPUBLISHED. RELEASED FOR PUBLICATION 20
 © COPYRIGHT 20 BY - ALL RIGHTS RESERVED.

REVISIONS				
P	LTR	DESCRIPTION	DATE	APVD
-	-	SEE SHEET 1	-	-

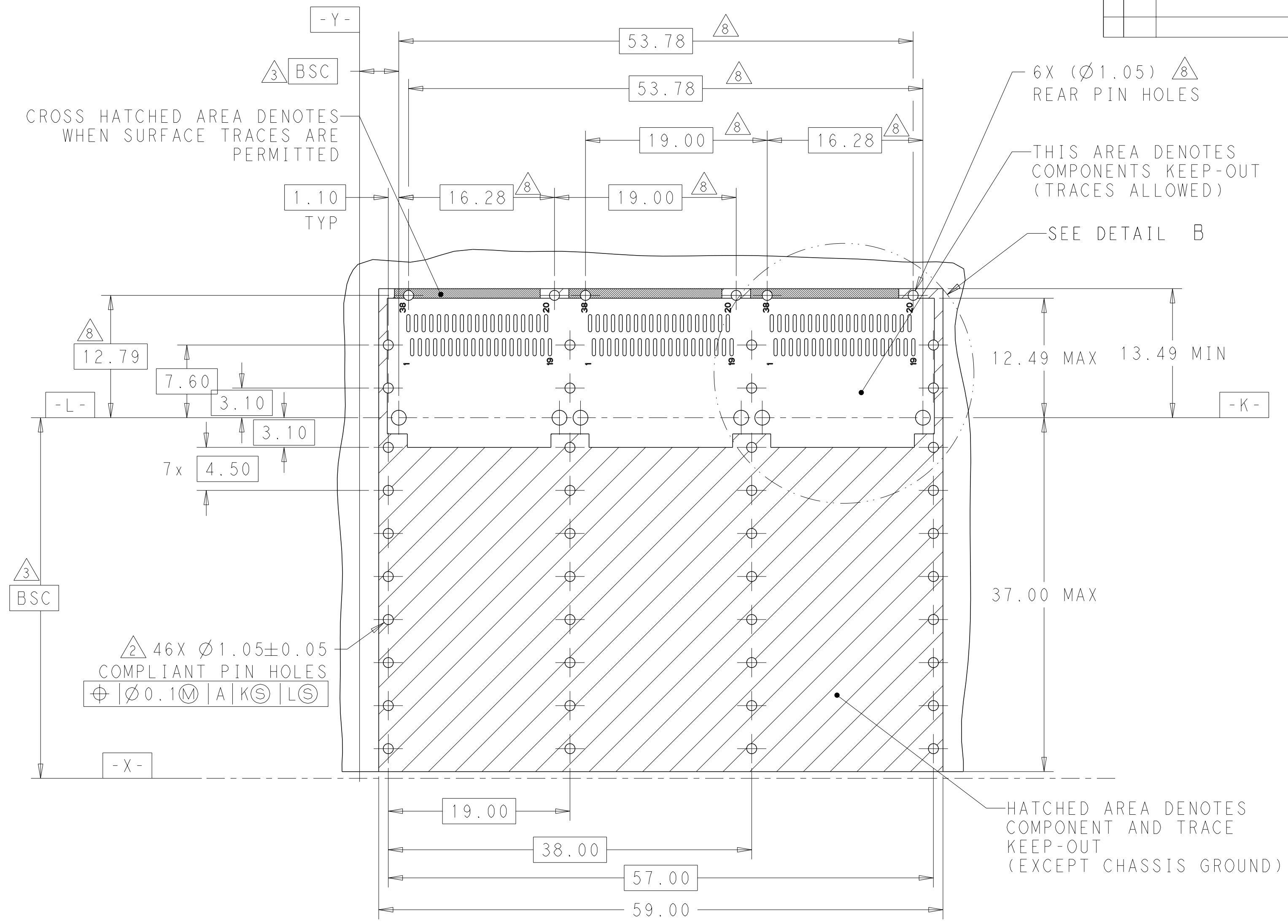


RECOMMENDED PCB LAYOUT
 SINGLE TYPE
 PCB TOLERANCE: ±0.05
 SCALE 3:1

THIS DRAWING IS A CONTROLLED DOCUMENT.		DWN BING LIU 11APR2014	TE Connectivity	
DIMENSIONS: mm		CHK JASON YANG 11APR2014		
TOLERANCES UNLESS OTHERWISE SPECIFIED:		APVD SEAN HAN 11MAR2016	NAME RECEPTACLE CAGE ASSEMBLY THRU BEZEL, 1X3, QSFP28	
0 PLC ±-		PRODUCT SPEC 108-19428	SIZE CAGE CODE DRAWING NO RESTRICTED TO	
1 PLC ±0.25		APPLICATION SPEC 114-32023	A200779 C-2170737	
2 PLC ±0.2		WEIGHT -	SCALE 1:1 SHEET 3 OF 5 REV A	
3 PLC ±-		CUSTOMER DRAWING		
4 PLC ±-				
ANGLES ±-				
FINISH SEE NOTES				

THIS DRAWING IS UNPUBLISHED. RELEASED FOR PUBLICATION 20
 © COPYRIGHT 20 BY - ALL RIGHTS RESERVED.

REVISIONS				
P	LTR	DESCRIPTION	DATE	APVD
-	-	SEE SHEET 1	-	-

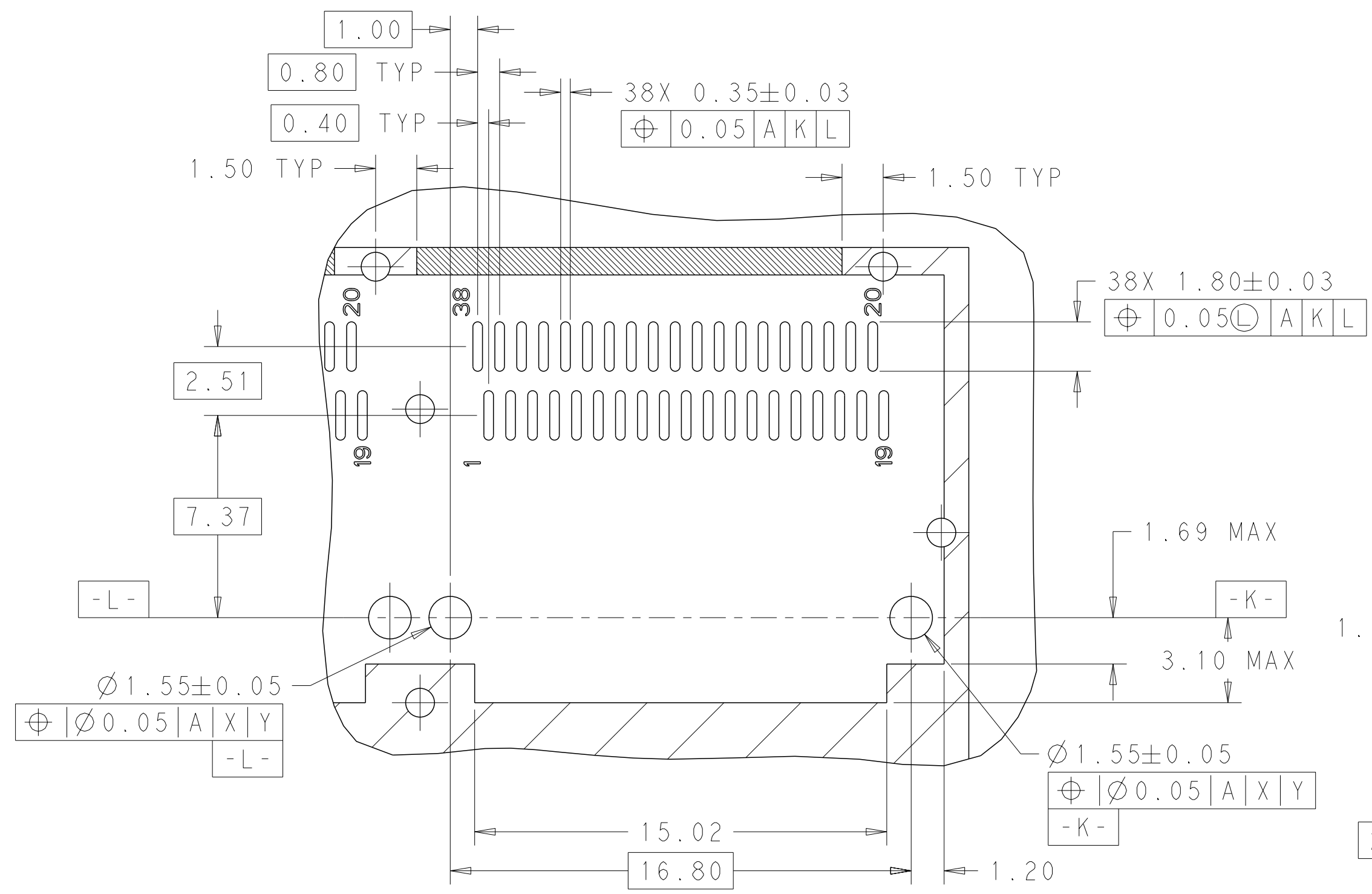


RECOMMENDED PCB LAYOUT
 BELLY TO BELLY TYPE
 PCB TOLERANCE: ±0.05
 SCALE 3:1

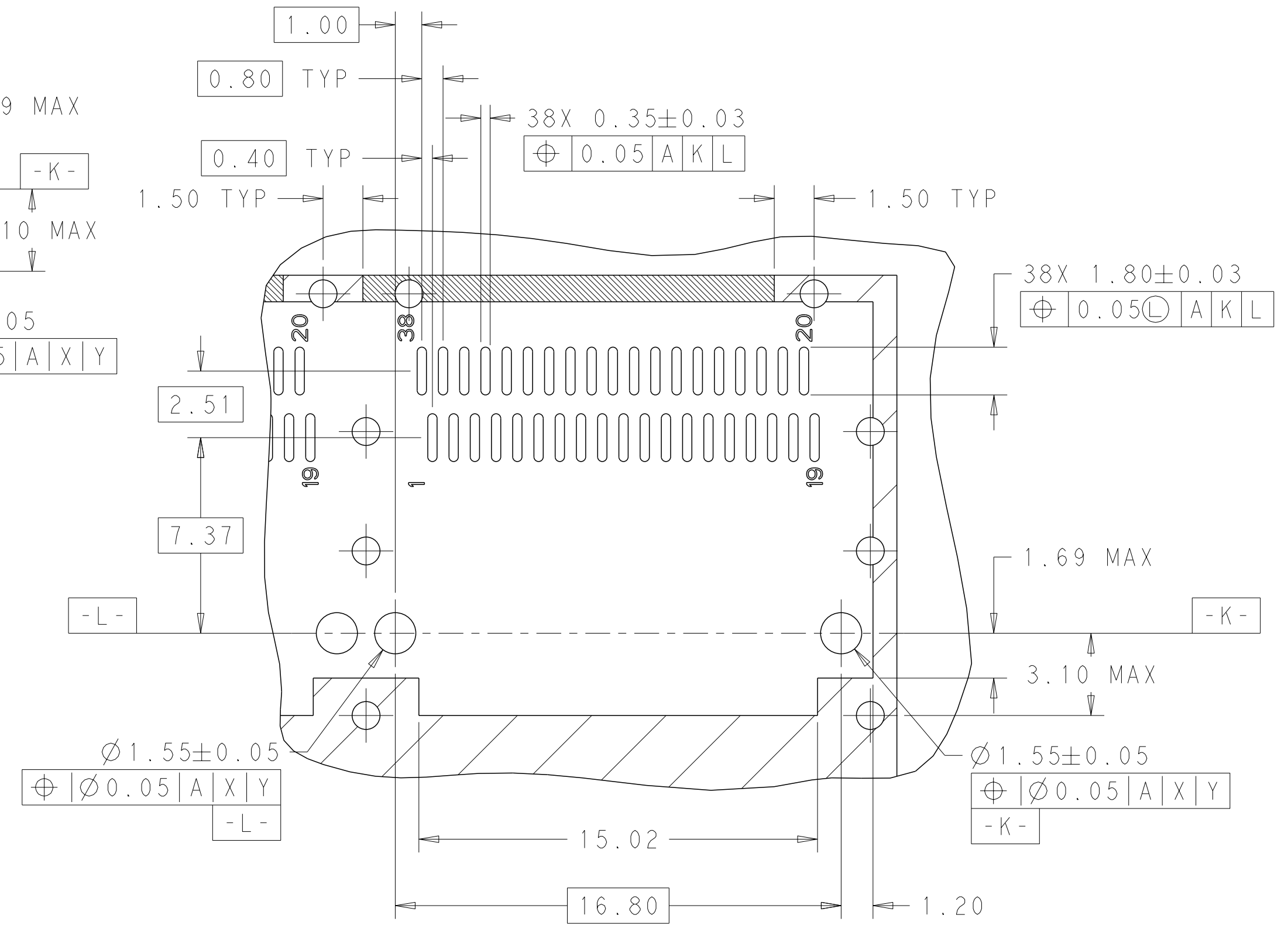
THIS DRAWING IS A CONTROLLED DOCUMENT.		DWN BING LIU 11APR2014	TE Connectivity	
		CHK JASON YANG 11APR2014		
		APVD SEAN HAN 11MAR2016	NAME RECEPTACLE CAGE ASSEMBLY THRU BEZEL, 1X3, QSFP28	
DIMENSIONS: mm		PRODUCT SPEC 108-19428	SIZE A200779	CAGE CODE C-2170737
TOLERANCES UNLESS OTHERWISE SPECIFIED:		APPLICATION SPEC 114-32023	DRAWING NO	RESTRICTED TO
0 PLC ±-		WEIGHT -	-	
1 PLC ±0.25		CUSTOMER DRAWING	SCALE 1:1	SHEET 4 OF 5
2 PLC ±0.2			REV A	
3 PLC ±-				
4 PLC ±-				
ANGLES ±-				
FINISH SEE NOTES				

THIS DRAWING IS UNPUBLISHED. RELEASED FOR PUBLICATION 20
 © COPYRIGHT 20 BY - ALL RIGHTS RESERVED.

REVISIONS				
P	LTR	DESCRIPTION	DATE	APVD
-	-	SEE SHEET 1	-	-



DETAIL A
SCALE 6:1



DETAIL B
SCALE 6:1

THIS DRAWING IS A CONTROLLED DOCUMENT.		DWN BING LIU 11APR2014	STE TE Connectivity	
		CHK JASON YANG 11APR2014		
DIMENSIONS: mm		APVD SEAN HAN 11MAR2016	NAME RECEPTACLE CAGE ASSEMBLY THRU BEZEL, 1X3, QSFP28	
TOLERANCES UNLESS OTHERWISE SPECIFIED:		PRODUCT SPEC 108-19428	RESTRICTED TO	
0 PLC ± 1 PLC ±0.25 2 PLC ±0.2 3 PLC ± 4 PLC ±		APPLICATION SPEC 114-32023	SIZE A200779	DRAWING NO C-2170737
MATERIAL SEE NOTES		FINISH SEE NOTES	WEIGHT -	SCALE 1:1 SHEET 5 OF 5 REV A
		CUSTOMER DRAWING		

Looking for pricing, stock, or lifecycle information?

Click below to explore more details on WIN SOURCE:

 [View 2170737-5](#) on WIN SOURCE

 [TE Connectivity](#) Information

Optimize Your Supply Chain with WIN SOURCE Solutions

-  Global Sourcing Solution
-  Obsolete Management
-  Cost Control Management
-  Shortage Management
-  Alternative Solution
-  Excess Inventory Management