

**WIN****SOURCE**  
**ELECTRONICS**

**THE DATASHEET OF**  
**2170704-5**



2170704-5 ✓ ACTIVE

zQSFP+/QSFP28

TE Internal #: 2170704-5

QSFP28/56, Cage Assembly, Signal, Operating Temperature Range  
-40 – 85 °C [-40 – 185 °F], Data Rate (Max) 28 Gb/s, 1 Ports

[View on TE.com >](#)



Connectors > Pluggable IO Connectors & Cages



Pluggable I/O Product Type: **Cage Assembly**

Sealable: **No**

Circuit Application: **Signal**

Operating Temperature Range: **-40 – 85 °C [-40 – 185 °F]**

Data Rate (Max): **28 Gb/s**

## Features

### Product Type Features

Thermal Accessory Type Included	Heat Sink
Cage Type	Single
Pluggable I/O Product Type	Cage Assembly
Sealable	No
Form Factor	QSFP28/56

### Configuration Features

Number of Rear EONs per Port Column	0
Number of Ports	1
Port Matrix Configuration	1 x 1

### Electrical Characteristics

Data Rate (Max)	28 Gb/s
-----------------	---------

### Body Features

Heat Sink Finish	Anodized Black
Heat Sink Height Class	SAN
Heat Sink Style	Pin

### Contact Features

PCB Contact Termination Area Plating Material	Tin
---	-----



### Termination Features

Termination Post & Tail Length	2.05 mm[.081 in]
Termination Method to Printed Circuit Board	Through Hole - Press-Fit

### Housing Features

Cage Material	Nickel Silver
---------------	---------------

### Dimensions

PCB Thickness (Recommended)	1.57 mm[.062 in]
-----------------------------	------------------

### Usage Conditions

Operating Temperature Range	-40 – 85 °C[-40 – 185 °F]
-----------------------------	---------------------------

### Operation/Application

Pluggable I/O Applications	SFP+ Stacked Belly-to-Belly
Heat Sink Compatible	Yes
Circuit Application	Signal

### Industry Standards

UL Flammability Rating	UL 94V-0
------------------------	----------

### Packaging Features

Packaging Method	Box & Tray
------------------	------------

### Other

Included Lightpipe	No
EMI Containment Feature Type	Internal/External EMI Springs

### Product Compliance

[For compliance documentation, visit the product page on TE.com>](#)

EU RoHS Directive 2011/65/EU	Compliant
EU ELV Directive 2000/53/EC	Compliant
China RoHS 2 Directive MIIT Order No 32, 2016	No Restricted Materials Above Threshold
EU REACH Regulation (EC) No. 1907/2006	Current ECHA Candidate List: JAN 2024 (240) Candidate List Declared Against: JAN 2024 (240) Does not contain REACH SVHC
Halogen Content	Low Halogen - Br, Cl, F, I < 900 ppm per homogenous material. Also BFR/CFR/PVC Free

Solder Process Capability

Not applicable for solder process capability

Product Compliance Disclaimer

This information is provided based on reasonable inquiry of our suppliers and represents our current actual knowledge based on the information they provided. This information is subject to change. The part numbers that TE has identified as EU RoHS compliant have a maximum concentration of 0.1% by weight in homogenous materials for lead, hexavalent chromium, mercury, PBB, PBDE, DBP, BBP, DEHP, DIBP, and 0.01% for cadmium, or qualify for an exemption to these limits as defined in the Annexes of Directive 2011/65/EU (RoHS2). Finished electrical and electronic equipment products will be CE marked as required by Directive 2011/65/EU. Components may not be CE marked. Additionally, the part numbers that TE has identified as EU ELV compliant have a maximum concentration of 0.1% by weight in homogenous materials for lead, hexavalent chromium, and mercury, and 0.01% for cadmium, or qualify for an exemption to these limits as defined in the Annexes of Directive 2000/53/EC (ELV). Regarding the REACH Regulation, the information TE provides on SVHC in articles for this part number is based on the latest European Chemicals Agency (ECHA) 'Guidance on requirements for substances in articles' posted at this URL: <https://echa.europa.eu/guidance-documents/guidance-on-reach>

## Compatible Parts



TE Part # CAT-C11-Z806726  
QSFP28 to QSFP28 Cable Assembly:  
30 AWG



TE Part # CAT-C11-N49  
QSFP28-Two QSFP28 Cable  
Assembly: 30 AWG



TE Part # CAT-C11-Z8  
QSFP28 to QSFP28 Cable Assembly:  
26 AWG



TE Part # CAT-C11-N490333  
QSFP28-Four SFP+ Cable Assembly:  
30 AWG



TE Part # CAT-C11-N490325  
QSFP28-Four SFP+ Cable Assembly:  
26 AWG



TE Part # CAT-Q17-N490325  
QSFP56 to QSFP56 Cable Assembly:  
30 AWG



TE Part # CAT-Q17-N49033  
QSFP56-Two QSFP56 Cable  
Assembly: 30 AWG



TE Part # CAT-Q17-N49011  
QSFP56-Four SFP56 Cable Assembly:  
30 AWG



TE Part # CAT-Q17-N490333  
QSFP56-Four SFP56 Cable Assembly:  
26 AWG



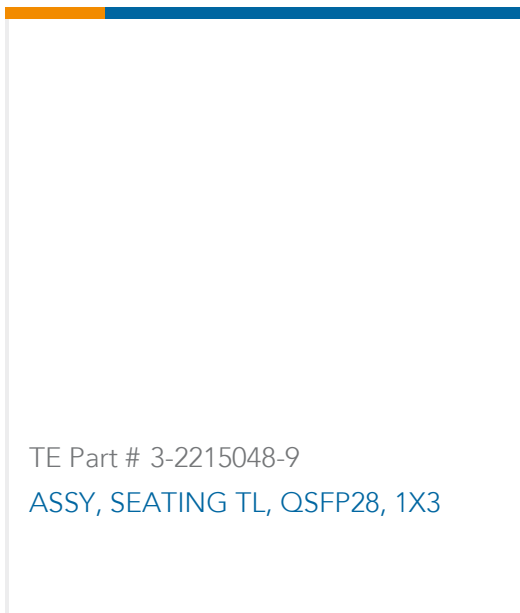
TE Part # 1888810-2  
EMI/Dust Cover,XFP And QSFP



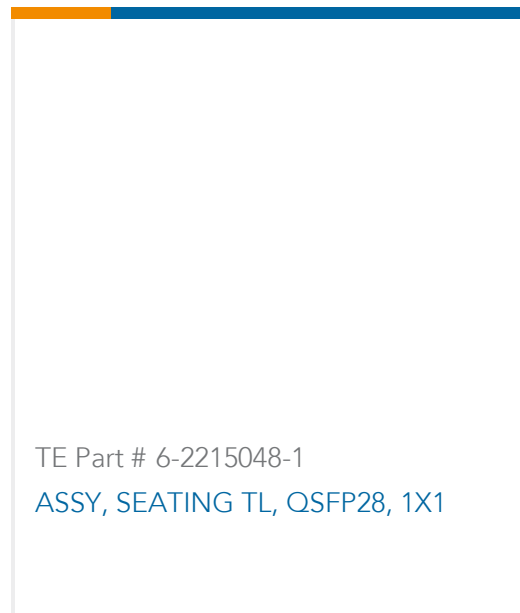
TE Part # 1551920-2  
zQSFP+ connector assembly



TE Part # CAT-C11-Q17  
QSFP56 to QSFP56 Cable Assembly:  
26 AWG

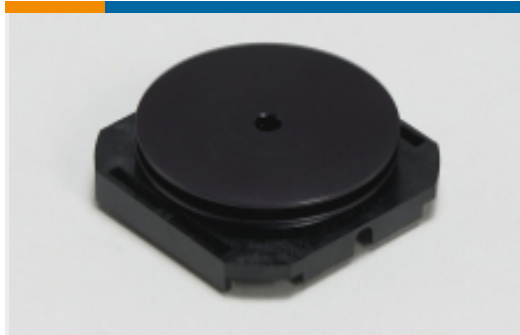


TE Part # 3-2215048-9  
ASSY, SEATING TL, QSFP28, 1X3



TE Part # 6-2215048-1  
ASSY, SEATING TL, QSFP28, 1X1

### Also in the Series | zQSFP+/QSFP28



Heat Sinks(7)



Pluggable I/O Cable Assemblies(78)



Pluggable IO Connectors & Cages(424)

### Customers Also Bought



TE Part #2199230-5  
M.2 0.5PITCH 4.2H KEY B 30U" AU



TE Part #1415898-5  
RTS3TF12



TE Part #1888247-1  
20 POS SMT CONN, SFP/SFP+, 30A



TE Part #1888971-3  
QSFP TB Cage Assy, w/LP, PCI HS



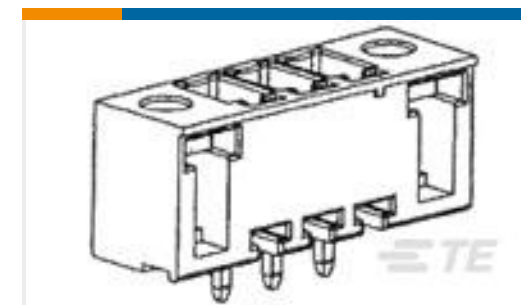
TE Part #1551892-1  
Cage Assy Behind Bezel QSFP28



TE Part #1658723-2  
ASSY SFP CAGE 1X4 SOLDER TAIL



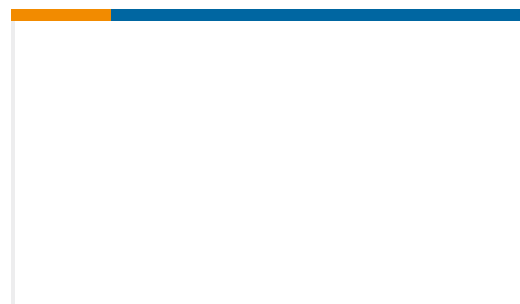
TE Part #2065657-1  
zd Plus, 4 pair, receptacle assy



TE Part #796864-2  
2 POS TERMI-BLOK HDR RT ANGLE



TE Part #6609075-4  
3DAF1=F7972 S0



TE Part #9-329631-3  
JAM NUT



## Documents

### CAD Files

#### 3D PDF

3D

Customer View Model

[ENG\\_CVM\\_CVM\\_2170704-5\\_A.2d\\_dxf.zip](#)

English

Customer View Model

[ENG\\_CVM\\_CVM\\_2170704-5\\_A.3d\\_igs.zip](#)

English

Customer View Model

[ENG\\_CVM\\_CVM\\_2170704-5\\_A.3d\\_stp.zip](#)

English

By downloading the CAD file I accept and agree to the [Terms and Conditions](#) of use.

### Datasheets & Catalog Pages

[QSFP28/56 and zQSFP+ Interconnects](#)

English

### Product Specifications

[Application Specification](#)

English

Looking for pricing, stock, or lifecycle information?

Click below to explore more details on WIN SOURCE:

[View 2170704-5 on WIN SOURCE](#)

[TE Connectivity Information](#)

### Optimize Your Supply Chain with WIN SOURCE Solutions

- ✓ Global Sourcing Solution
- ✓ Obsolete Management
- ✓ Cost Control Management
- ✓ Shortage Management
- ✓ Alternative Solution
- ✓ Excess Inventory Management