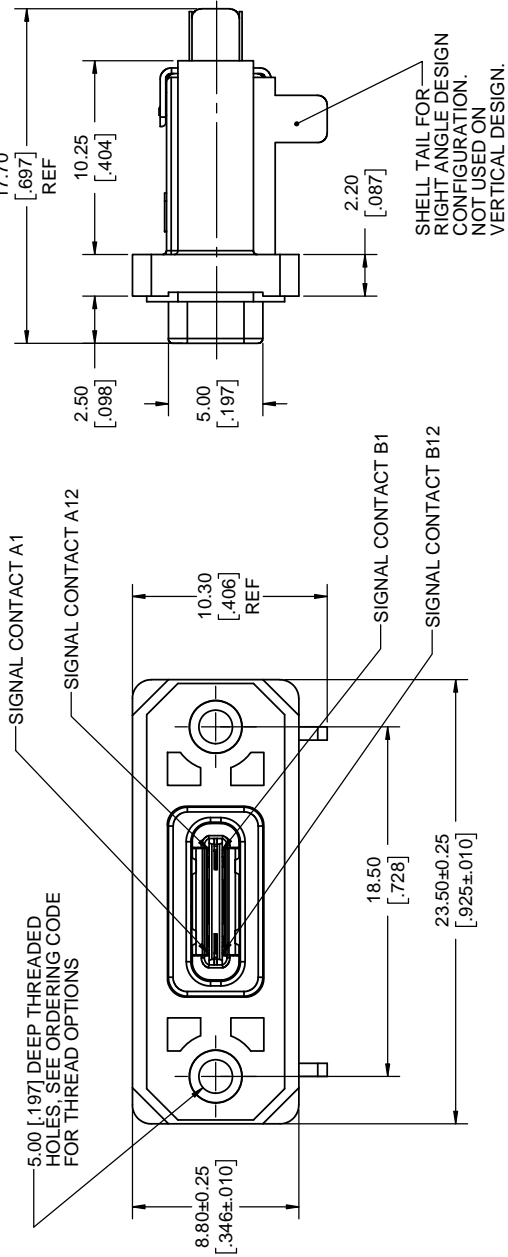




# THE DATASHEET OF MUSBR-M5C1-M0

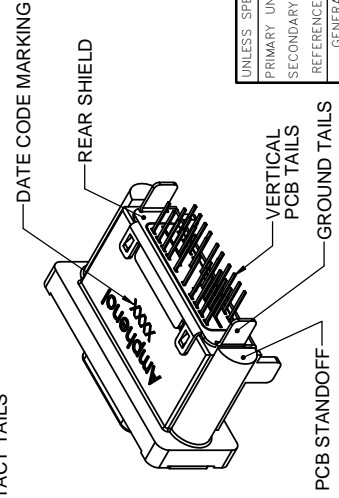
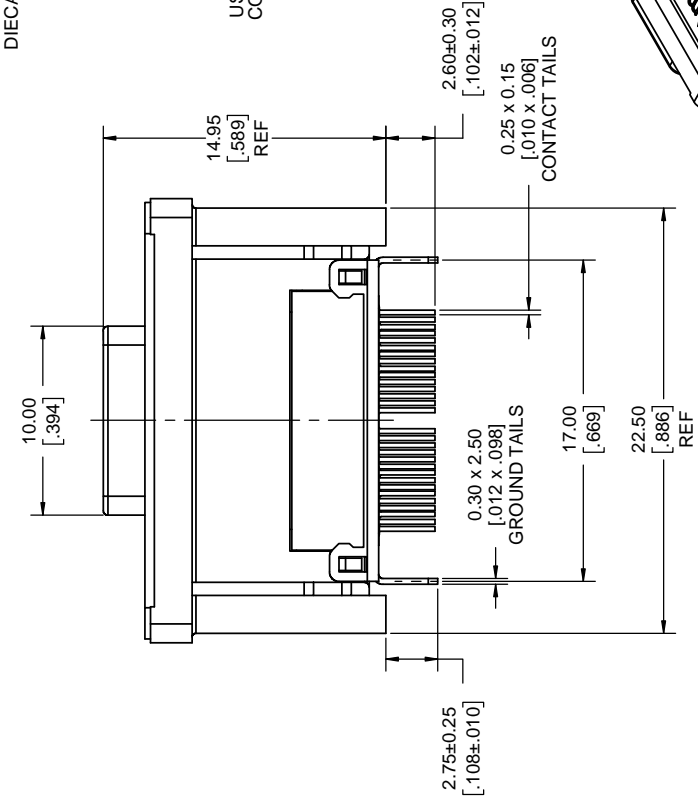
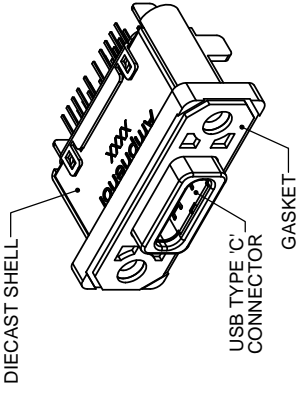


REV	
G	
H	



**ORDERING CODE**

SERIES, RUGGED CONTACTS  
 USB TYPE 'C' RECEPTACLE  
 PORT, VERTICAL CONTACTS  
 MOUNTING HOLES  
 3 = #2-56 UNC T  
 M = M2.5 X 0.45  
 DUST COVER  
 0 = NO DUST COVER  
 1 = WITH GREY  
 5 = WITH BLACK  
 SEE SHEET 2 FOR



**NOTES:**

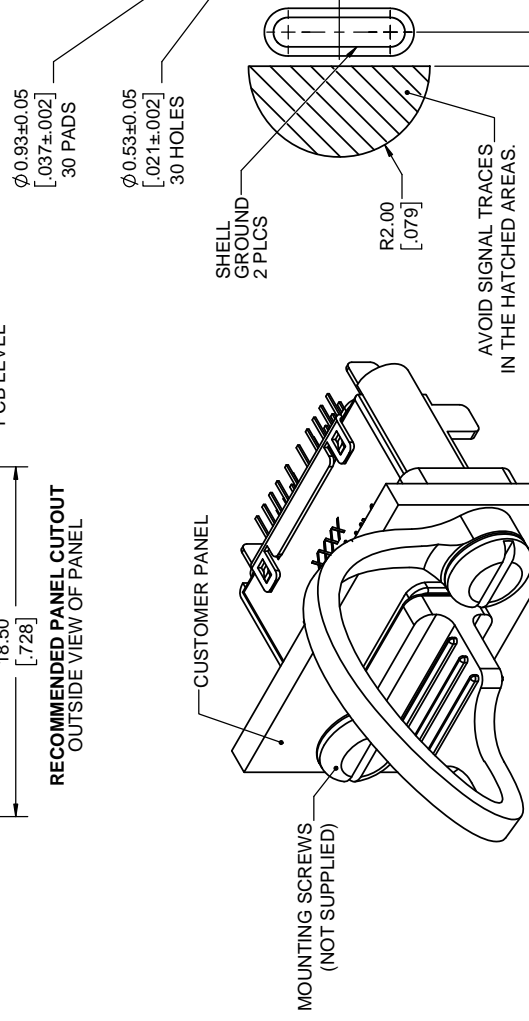
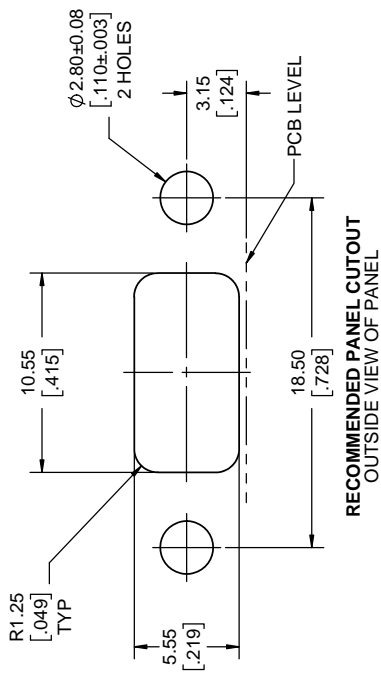
1. MATERIAL: ALL MATERIALS ARE RoHS COMPLIANT  
 AMENDMENTS:  
 • OUTER SHELL: DIECAST ZINC, COPPER ALLOY, P  
 CONTACTS: COPPER ALLOY, P  
 COVER 1.27µm [50µ"] MINIMUM N  
 OVER NICKEL ON THE TAILS  
 USB HOUSING: ENGINEERING RESISTANT, FLAMMABILITY RA  
 USB SHIELD: STAINLESS STEE  
 REAR COVER: STAINLESS STEE  
 GASKET: CONDUCTIVE SILICONE  
 DUST COVER - SILICONE RUBBER  
 SEE ORDERING CODE FOR CO
2. ENVIRONMENTAL PERFORMANCE  
 MATING AREA AND PCB SIDE OF C  
 INSIDE FACE OF ENCLOSURE PAN
3. CURRENT RATING: COLLECTIVELY  
 MAX. FOR PIN B5 WITH RETURN PA  
 ADDITIONAL POSITIONS 0.25A MAX
4. CONTACT RESISTANCE: 40 MILLIOHM
5. OPERATING TEMPERATURE: -40°C
6. DUST COVERS MAY BE ORDERED  
 • PART NUMBER MUSBR-2M5C-C-  
 • PART NUMBER MUSBR-2M5C-C-  
 FOR HEAVY DUTY DUST COVERS,



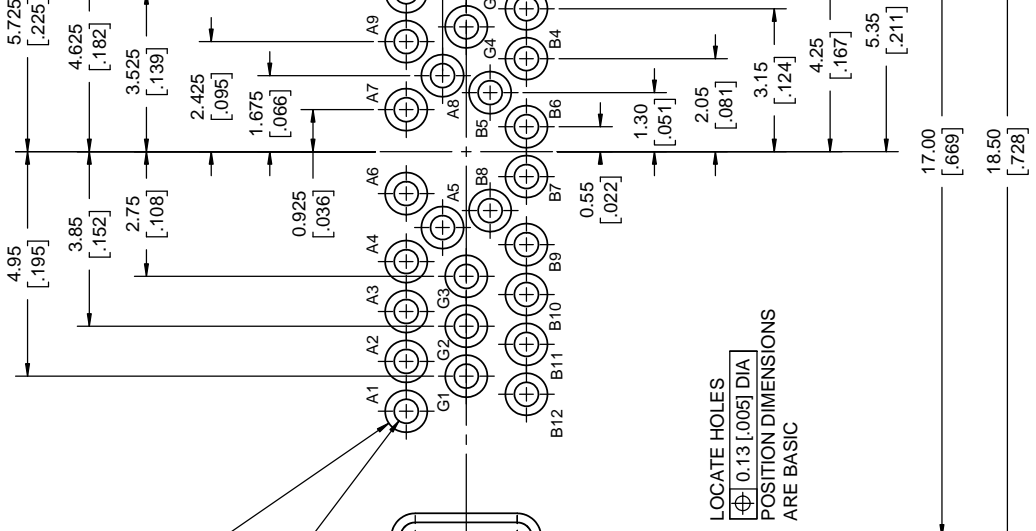
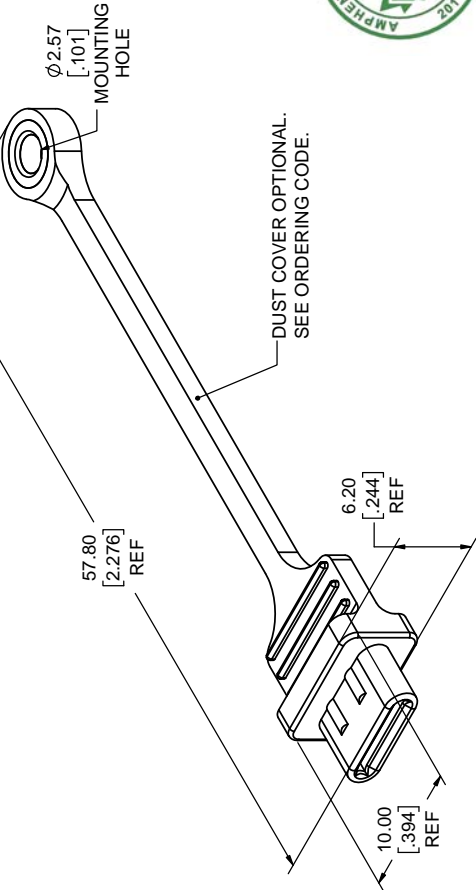
UNLESS SPECIFIED OTHERWISE	DRAWN	J.FISHER	MAR25/15
PRIMARY UNITS	MILLIMETERS	CHECKED	K.LAMBIE
SECONDARY UNITS	INCHES	M.E. APP'D	MAR26/15
REFERENCE IN PARENTHESES	O.A. APP'D		
GENERAL TOLERANCES	DWG APPR.		
1 DECIMAL PLACE	ENG. REL. NO.	EAR 14354	
2 DECIMAL PLACES	REF.		
3 DECIMAL PLACES	THIRD ANGLE PROJECTION		
ANGULAR DEGREES			

THIS DOCUMENT CONTAINS PROPRIETARY INFORMATION AND SUCH INFORMATION MAY NOT BE DISCLOSED TO OTHERS FOR ANY PURPOSE OR USED FOR MANUFACTURING PURPOSES WITHOUT WRITTEN PERMISSION FROM AMPHENOL CANADA CORP.

REV	
G	
H	



**DUST COVER APPLICATION VIEW**



**RECOMMENDED PCB LAYOUT  
COMPONENT SIDE OF BOARD**

UNLESS SPECIFIED OTHERWISE	DRAWN	J.FISHER	MAR25/15
PRIMARY UNITS	MILLIMETERS	CHECKED	K.LAMBIE
SECONDARY UNITS	INCHES	M.E. APP'D	MAR26/15
REFERENCE IN PARENTHESES	Q.A. APP'D		
GENERAL TOLERANCES	DWG APPR.		
1 DECIMAL PLACE	ENG. REL. NO.	EAR 14354	
2 DECIMAL PLACES	REF.		
3 DECIMAL PLACES	THIRD PROTECTION		
ANGULAR DEGREES	DOC. NOT DRAWING		

THIS DOCUMENT CONTAINS PROPRIETARY INFORMATION AND SUCH INFORMATION MAY NOT BE DISCLOSED TO OTHERS FOR ANY PURPOSE OR USED FOR MANUFACTURING PURPOSES WITHOUT WRITTEN PERMISSION FROM AMPHENOL CANADA CORP.

## Looking for pricing, stock, or lifecycle information?

Click below to explore more details on WIN SOURCE:

- ⊖ [View MUSBR-M5C1-M0 on WIN SOURCE](#)
- ⊖ [Amphenol Commercial Products Information](#)

## Optimize Your Supply Chain with WIN SOURCE Solutions

- ✓ Global Sourcing Solution
- ✓ Obsolete Management
- ✓ Cost Control Management
- ✓ Shortage Management
- ✓ Alternative Solution
- ✓ Excess Inventory Management