

**WIN***SOURCE*  
ELECTRONICS

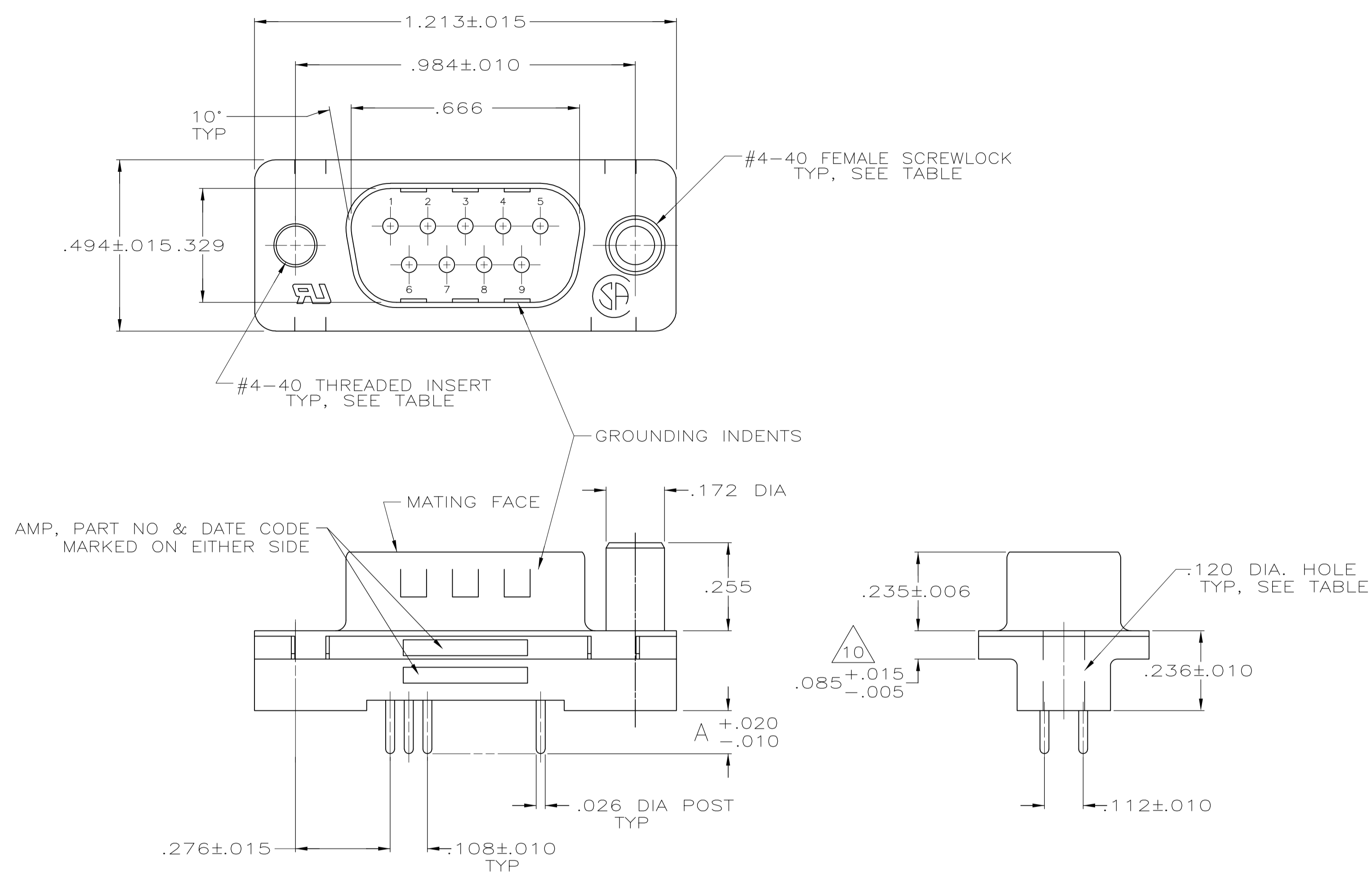
**THE DATASHEET OF**

**1-747871-6**

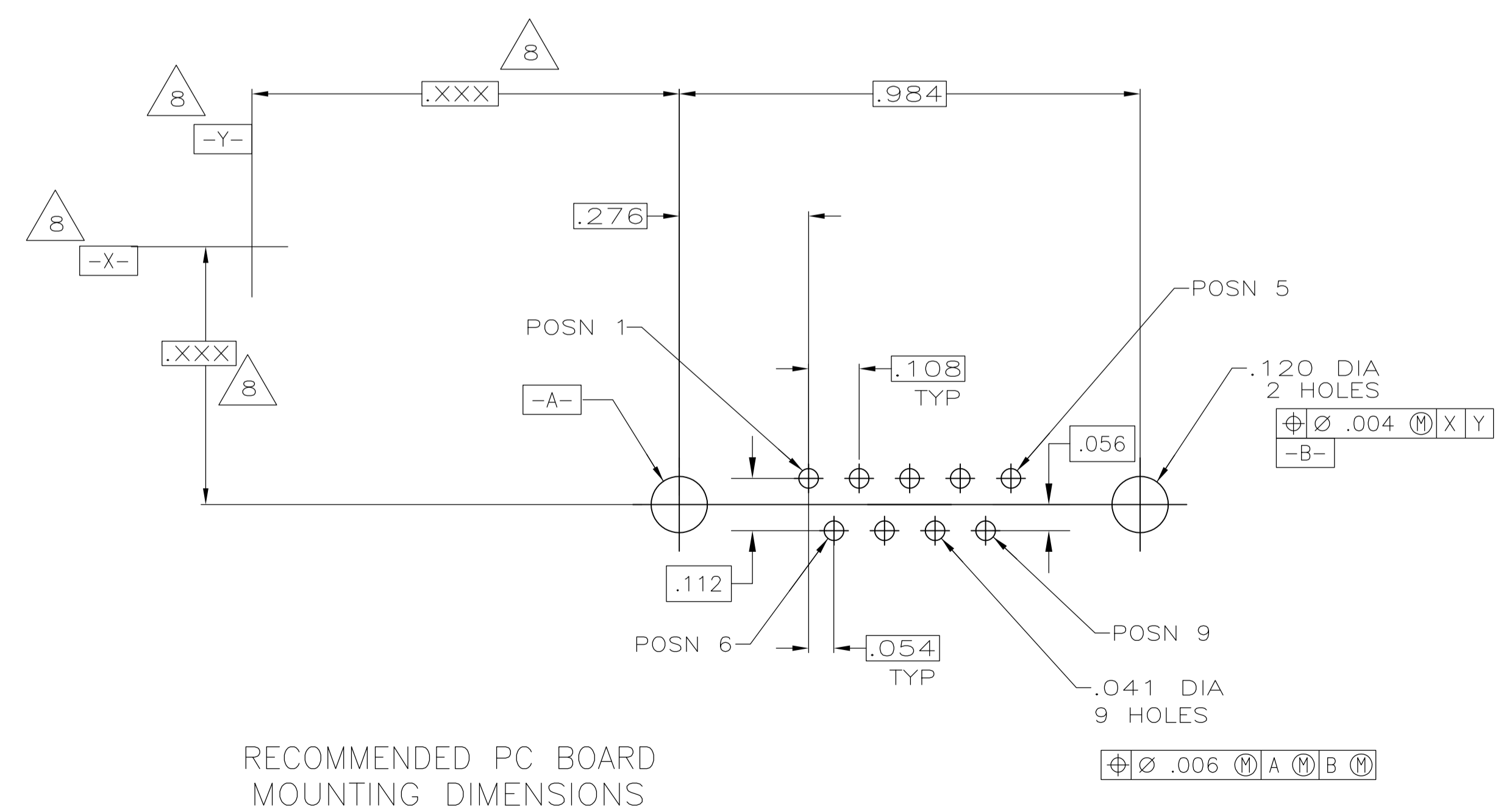
[www.win-source.net](http://www.win-source.net)



0086-755-83957316



- 1. NOTE DELETED.
- △ HOUSING: FLAME RETARDANT 94V-0 RATED THERMOPLASTIC, BLACK  
SHELLS: CARBON STEEL  
CONTACTS: BRASS  
INSERTS: BRASS  
SCREWLOCKS: ZINC
- △ SHELLS: .000200 MIN TIN OVER .000100 MIN COPPER.  
INSERTS: UNPLATED.  
SCREWLOCKS: UNPLATED.  
CONTACTS: SEE TABLE.
- △ GOLD PLATED FOR A LENGTH OF .150 MIN FROM MATING END, GOLD FLASH IN MATED AREA, .000100 MIN TIN OR TIN-LEAD FOR A LENGTH OF DIMENSION A FROM OPPOSITE END, ALL OVER .000050 MIN NICKEL.
- △ GOLD PLATED FOR A LENGTH OF .150 FROM MATING END, .000030 MIN GOLD IN MATED AREA, .000100 MIN TIN OR TIN-LEAD FOR A LENGTH OF DIMENSION A FROM OPPOSITE END, ALL OVER .000050 MIN NICKEL.  
-OR-  
GOLD FLASH OVER PALLADIUM NICKEL PLATED FOR LENGTH OF .150 FROM MATING END, .000030 MIN PALLADIUM NICKEL IN MATED AREA, .000100 MIN TIN OR TIN-LEAD FOR A LENGTH OF DIMENSION A FROM OPPOSITE END, ALL OVER .000050 MIN NICKEL.
- 6. NOTE DELETED.
- △ HOUSING APPLICATION TEMPERATURE: 215°C MAXIMUM FOR 120 SECONDS MAXIMUM.
- △ DATUMS AND BASIC DIMENSIONS ESTABLISHED BY CUSTOMERS.
- 9. NOTE DELETED.
- △ .110 MAX IN SHELL TAB CLINCH AREAS.



△ OBSOLETE	.120 DIA HOLE	△	.125	1-747871-9
△ OBSOLETE		△	.250	1-747871-8
△ OBSOLETE		△	.250	1-747871-7
	WITH	△	.170	1-747871-6
△ OBSOLETE	FEMALE SCREWLOCKS	△	.170	1-747871-5
		△	.125	1-747871-4
△ OBSOLETE		△	.125	1-747871-3
△ OBSOLETE		△	.250	1-747871-2
△ OBSOLETE		△	.170	1-747871-1
△ OBSOLETE	WITH	△	.170	747871-9
△ OBSOLETE	THREADED INSERTS	△	.125	747871-8
		△	.125	747871-7
△ OBSOLETE		△	.250	747871-6
△ OBSOLETE		△	.250	747871-5
△ OBSOLETE		△	.170	747871-4
SUPSD BY 747871-4	.120 DIA. HOLE	△	.170	747871-3
SUPSD BY 747871-2		△	.125	747871-2
		△	.125	747871-1

THIS DRAWING IS A CONTROLLED DOCUMENT.

DIMENSIONS: INCHES	TOLERANCES UNLESS OTHERWISE SPECIFIED:	0 PLC ± -	1 PLC ± .005	2 PLC ± .005	3 PLC ± -	4 PLC ± -	ANGLES ± °
--------------------	--	-----------	--------------	--------------	-----------	-----------	------------

MATERIAL: △ FINISH: △

THIS DRAWING IS A CONTROLLED DOCUMENT.	DWN S. WELDON 11-25-85	STE TE Connectivity	
CIRK C. RICHARD 11-25-85	APVD R. BRANDT 12-02-85	NAME	
PRODUCT SPEC	108-40025	PLUG ASSEMBLY, SIZE 1, 9 POS, VERTICAL, FRONT SHELL, AMPLIMITE™ HDP	
APPLICATION SPEC	114-40023	SIZE	CAGE CODE DRAWING NO
WEIGHT	A1 00779	SCALE	1:1
CUSTOMER DRAWING	REV	SHEET	1 OF 1

Looking for pricing, stock, or lifecycle information?

Click below to explore more details on WIN SOURCE:

[View 1-747871-6 on WIN SOURCE](#)

[TE Connectivity Information](#)

### Optimize Your Supply Chain with WIN SOURCE Solutions

- ✓ Global Sourcing Solution
- ✓ Obsolete Management
- ✓ Cost Control Management
- ✓ Shortage Management
- ✓ Alternative Solution
- ✓ Excess Inventory Management