



THE DATASHEET OF
1-1478035-0



THIS DRAWING IS UNPUBLISHED.

RELEASED FOR PUBLICATION JUNE ,2006.

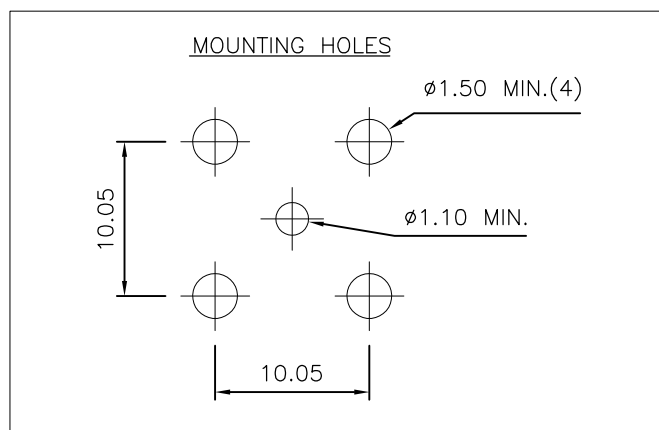
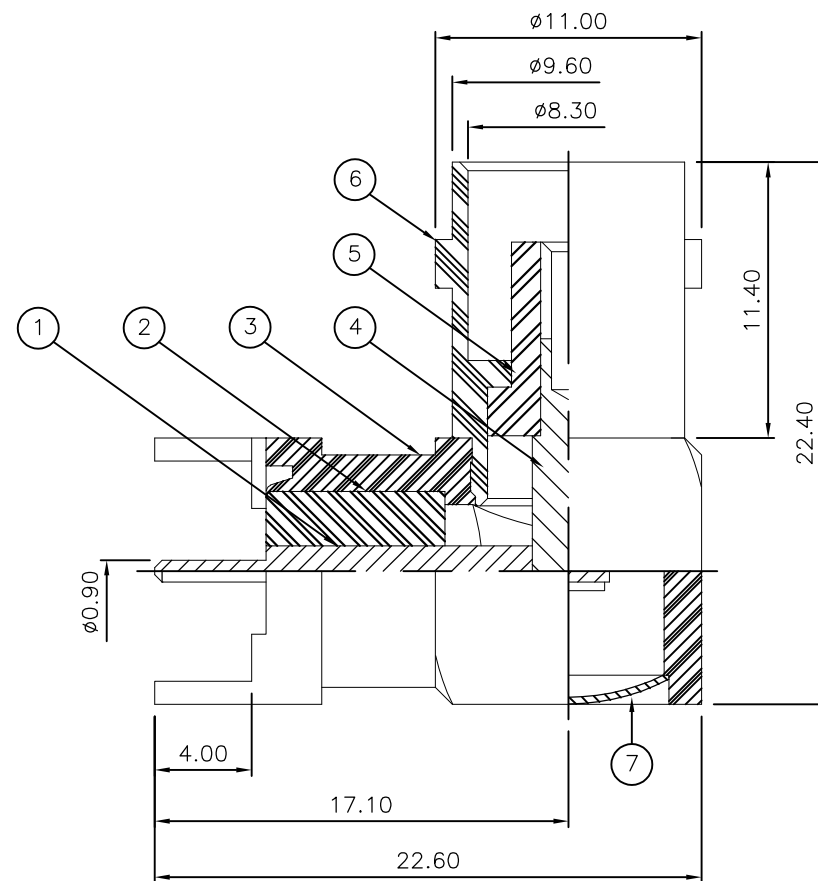
© COPYRIGHT 2006 By -

ALL RIGHTS RESERVED.

LOC	DIST	REVISIONS					
		P	LTR	DESCRIPTION	DATE	DWN	APVD
E	B		B1	REVISED PER ECO-11-005033	01APR11	RK	HMR

NOTES:

- 1 PACK IN ACCORDANCE WITH AMP SPEC 107-3275
- 2 100 TRAY PACK IN ACCORDANCE WITH AMP SPEC 107-3275
- 3 Ag PLATING
- 4 ELECTRICAL CHARACTERISTICS
 FREQUENCY RANGE: DC - 4 GHz
 NOMINAL IMPEDANCE: 50 Ohm
 INSULATION RESISTANCE: 5000 MOhm
 WORKING VOLTAGE: 500 Volts RMS at Sea Level
 DIELECTRIC WITHSTAND VOLTAGE: 1500 Volts RMS Max
 CONTACT RESISTANCE:
 CENTRE CONTACT: 1.50 mOhm Max
 OUTER CONTACT: 0.20 mOhm Max
 VSWR @ xGHz: N/A
 INSERTION LOSS xdb: N/A
- 5 MECHANICAL CHARACTERISTICS
 COUPLING RETENTION FORCE: N/A
 CABLE RETENTION FORCE: N/A
 DURABILITY: 500 Cycles Min
- 6 ENVIRONMENTAL CHARACTERISTICS
 OPERATING TEMPERATURE: -65 to +165 DegC
- 7 FOR TECHNICAL DATA REFER TO YOUR LOCAL TE CONNECTIVITY SALES OFFICE
- 8 ALL DIMENSIONS ARE NOMINAL FOR REFERENCE ONLY UNLESS OTHERWISE STATED



QTY	QTY PER ASSY	MATERIAL	DESCRIPTION	ITEM
1	1	BRASS	CAP	7
1	1	BRASS	BODY 2	6
1	1	PTFE	INSULATION	5
1	1	BRASS	CONTACT 2	4
1	1	BRASS	BODY 1	3
1	1	PTFE	INSULATION	2
1	1	BRASS	CONTACT 1	1
6--0	1--0	MATERIAL	DESCRIPTION	ITEM
QUANTITY PER ASSY		PARTS LIST		

THIS DRAWING IS A CONTROLLED DOCUMENT.		DWN J.SANDWELL 13JUN06	TE Connectivity														
DIMENSIONS: mm		CHK S.PARLOW 13JUN06															
TOLERANCES UNLESS OTHERWISE SPECIFIED:		APVD F.WHEELER-KING 13JUN06	NAME BNC ELBOW PCB SOCKET SILVER PLT 50 OHM														
<table border="0"> <tr><td>0 PLC</td><td>± -</td></tr> <tr><td>1 PLC</td><td>± -</td></tr> <tr><td>2 PLC</td><td>± -</td></tr> <tr><td>3 PLC</td><td>± -</td></tr> <tr><td>4 PLC</td><td>± -</td></tr> <tr><td>ANGLES</td><td>± -</td></tr> </table>		0 PLC	± -	1 PLC	± -	2 PLC	± -	3 PLC	± -	4 PLC	± -	ANGLES	± -	PRODUCT SPEC -	-		
0 PLC	± -																
1 PLC	± -																
2 PLC	± -																
3 PLC	± -																
4 PLC	± -																
ANGLES	± -																
MATERIAL SEE TABLE		FINISH -	APPLICATION SPEC -	SIZE A3	CAGE CODE 00779												
		WEIGHT -	RESTRICTED TO -	DRAWING NO C-1478035													
CUSTOMER DRAWING			SCALE NTS	SHEET 1 OF 1	REV B1												

Looking for pricing, stock, or lifecycle information?

Click below to explore more details on WIN SOURCE:

 [View 1-1478035-0 on WIN SOURCE](#)

 [TE Connectivity](#) Information

Optimize Your Supply Chain with WIN SOURCE Solutions

-  Global Sourcing Solution
-  Obsolete Management
-  Cost Control Management
-  Shortage Management
-  Alternative Solution
-  Excess Inventory Management