



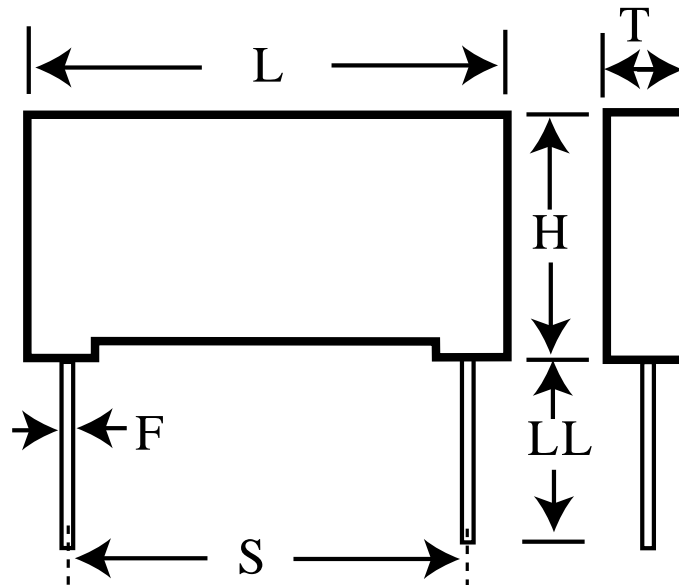
**THE DATASHEET OF  
PME271Y447MR04**



# PME271Y447MR04

aka P271HL472M250CL40J

Capacitor, film, 4700 pF, +/-20% Tol, -40/+100C, Safety: Y2, 250VAC,  
Lead Spacing=10.2 mm



## Dimensions (mm)

## Specifications

ID	Dimension	Tolerance	Manufacturer:	KEMET
L	13.5	max	Brand:	Rifa
H	10.5	max	Capacitance:	4700 pF
T	5.1	max	Temperature Range:	-40/+100C
S	10.2	+/-0.4	Rated Temperature:	100C
LL	4	nom	Voltage @ rated temp:	1000V
F	0.6	nom	Voltage AC:	250VAC
			Tolerance:	+/-20%
			Body Type:	Radial Molded
			Construction:	Wound
			Application:	Safety: Y2
			Dissipation Factor @ 1 kHz:	1.3%
			Insulation Resistance:	12 GOhm
			Maximum dVdT:	2000v/us
			UL_1283:	250V
			IEC_60384-14:	250V
			EN_132400:	250V
			C_22.2_NO.8:	250V
			Miscellaneous Electrical:	fo= 24 MHz series(PME271Y)
			Package Kind:	Bulk
			Package Quantity:	1600

## Looking for pricing, stock, or lifecycle information?

Click below to explore more details on WIN SOURCE:

- ⊖ [View PME271Y447MR04 on WIN SOURCE](#)
- ⊖ [Kemet Information](#)

## Optimize Your Supply Chain with WIN SOURCE Solutions

- ✓ Global Sourcing Solution
- ✓ Obsolete Management
- ✓ Cost Control Management
- ✓ Shortage Management
- ✓ Alternative Solution
- ✓ Excess Inventory Management