



**THE DATASHEET OF
ECX-.327-CDX-1293**



The ultra-miniature ECX-.327-CDX-1293 is a very compact SMD Tuning Fork Crystal with a tight tolerance of ± 5 ppm. The 3.2 x 1.5 x 0.9 mm ceramic package is ideal for today's SMD

Request a Sample

ECX-.327-CDX-1293



- Low Profile
- 3.2 x 1.5 mm Footprint
- ± 5 ppm tolerance @ +25°C
- Extended Temp. Range
- RoHS Compliant
- Low Power RTC Applications such as STM32 [AN2867](#)

OPERATING CONDITIONS / ELECTRICAL CHARACTERISTICS

PARAMETERS	CONDITIONS	ECX-.327-CDX-1293			UNITS
		MIN	TYP	MAX	
Frequency			32.768		KHz
Frequency Tolerance	@ +25°C			± 5	ppm
Load Capacitance	Specify in P/N		12.5		pF
Drive Level	DL		0.1	1.0	μ W
Equivalent Series Resistance	R1			70K	Ω
Turnover Temperature		+20	+25	+30	°C
Temperature Coefficient		-0.028	-0.034	-0.040	ppm/°C ²
Shunt Capacitance	Co		1.05		pF
Aging (First Year)	@ +25°C ± 3 °C			± 3	ppm
Operating Temperature	T _{opr}	-40		+85	°C
Storage Temperature	T _{stg}	-55		+125	°C
Insulation Resistance	@ 100V DC	500M			Ω

DIMENSIONS (mm)

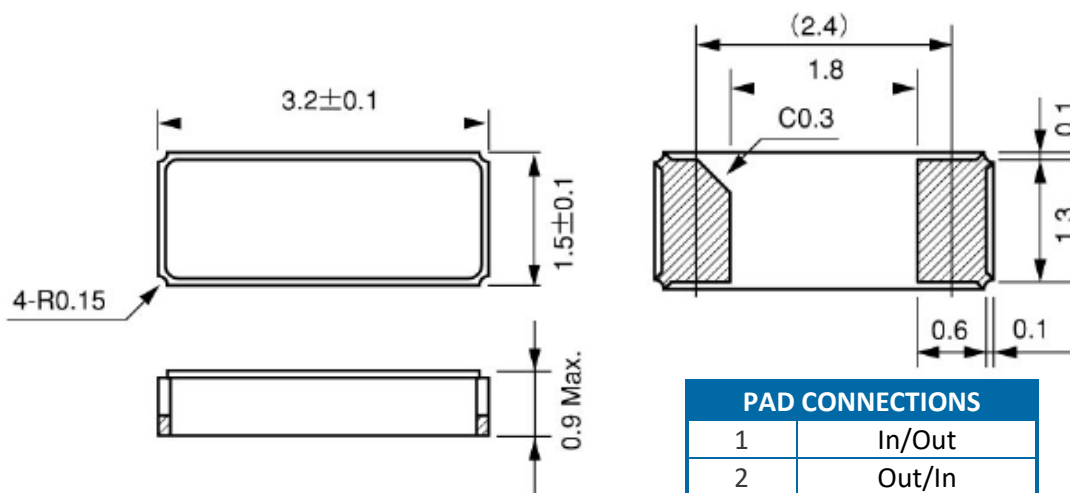


Figure 1) Top, Side, and Bottom views

PAD CONNECTIONS	
1	In/Out
2	Out/In

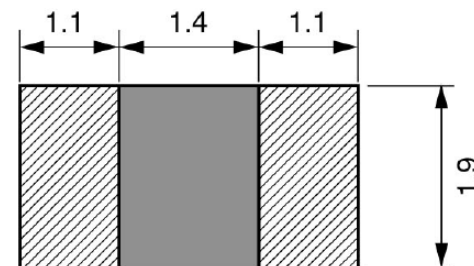
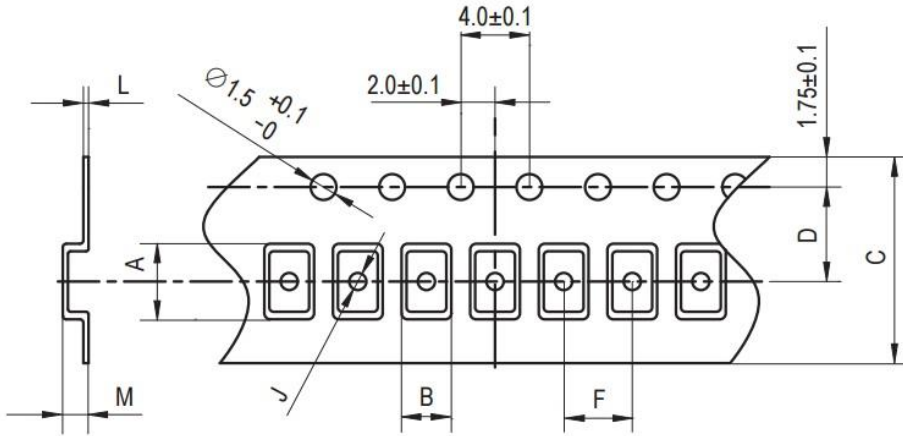


Figure 2) Suggested Land Pattern

Part Number: ECX-.327-CDX-1293

POCKET TAPE DIMENSIONS (mm)



A	B	C	D	F	J	L	M	Reel Dia.	Qty/Reel
3.4	1.7	12.0	5.5	4.0	1.0	0.3	1.2	180	3000pcs

SOLDER PROFILE	
Peak solder Temp +260°C Max 10 sec Max.	
2 Cycles Max.	
MSL 1, Lead Finish Au	

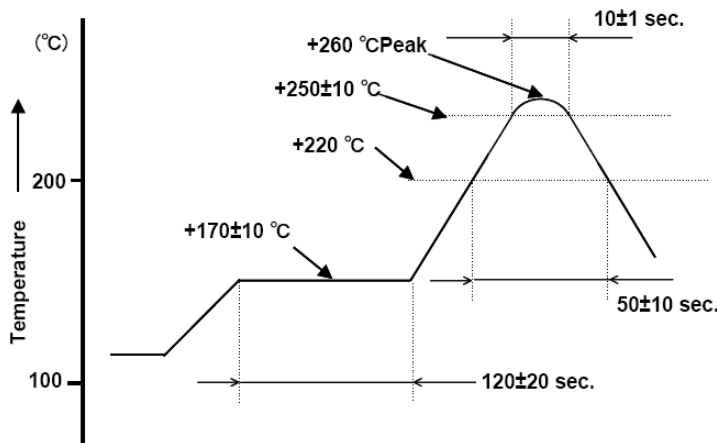


Figure 1) Suggested Reflow Profile

Looking for pricing, stock, or lifecycle information?

Click below to explore more details on WIN SOURCE:

 [View ECX-.327-CDX-1293 on WIN SOURCE](#)

 [ECS Inc. Information](#)

Optimize Your Supply Chain with WIN SOURCE Solutions

-  Global Sourcing Solution
-  Obsolete Management
-  Cost Control Management
-  Shortage Management
-  Alternative Solution
-  Excess Inventory Management