



**THE DATASHEET OF  
CCSP-C218-0107**

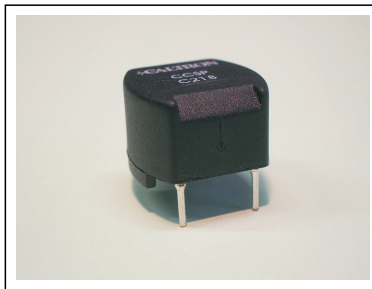


# CCSP-C218-0107

*Compensated Choke*

*Kompensierte Drossel*

*SMD Versionen und Kundenspezifische auf Anfrage*  
*SMD and custom versions on request*

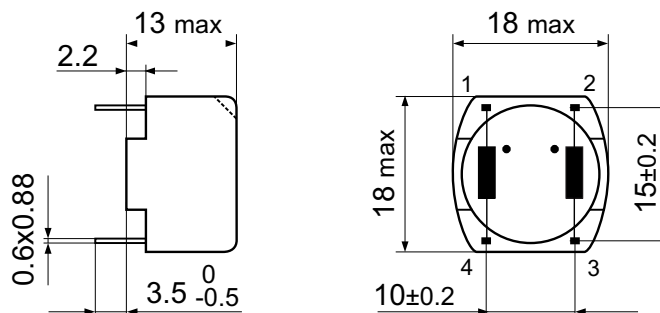


COMPLIANT  
ENTSPRECHEN

APPROVED  
GENEHMIGT



## MECHANICAL DIMENSIONS / MECHANISCHE DIMENSIONEN



### DIAGRAM / SCHEMA



### FEATURES / EIGENSCHAFTEN

Climatic Class Klimaklasse	25/100/21 as per IEC 60068-1
Inflammability Brennbarkeit	UL 94 V-0
Current Derating Stromrücknahme	over 40°C: $I = I_N * \sqrt{(100 - \theta a) / 60}$
$L_N$ Measured $L_N$ Gemessen	according to EN 60938-2
$R_{Cu}$ Measured $R_{Cu}$ Gemessen	at 25 °C ambient temperature

## ELECTRICAL DATA / ELEKTRISCHE WERTE

Operating Voltage / Betriebsspannung	$U_R = 250$ ( max )	VAC
Current / Strom	$I_N = 1.2$	A
Inductance / Induktivität	$L_N = 2 \times 6.8 - 30\% + 50\%$	mH
Cu-Resistance / Cu-Widerstand	$R_{Cu} = 2 \times 200 \pm 10\%$	mΩ
Power dissipation / Verlustleistung	$P_{Loss} = 580$	mW
Test voltage / Prüf-Spannung	$U = 1800 / 2$ sec.	VAC
Res. Frequency / Res. Frequenz	$f_{res.} = 0.8$ ( approx )	MHz

Compensated Choke  
Kompensierte Drossel


TECHNICAL DATA SHEET  
TECHNISCHES DATENBLATT

Part no.  
CCSP-C218-0107

Tot. fogli/sheet : 1  
Foglio/sheet nr. : 1

## Looking for pricing, stock, or lifecycle information?

Click below to explore more details on WIN SOURCE:

 [View CCSP-C218-0107](#) on WIN SOURCE

 [Caltron](#) Information

## Optimize Your Supply Chain with WIN SOURCE Solutions

-  Global Sourcing Solution
-  Obsolete Management
-  Cost Control Management
-  Shortage Management
-  Alternative Solution
-  Excess Inventory Management