



**THE DATASHEET OF  
CCSP-6210-02D5**



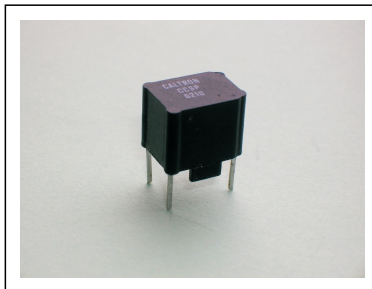
# CCSP-6210-02D5

*Compensated Choke*

*Kompensierte Drossel*

*SMD and custom versions on request*

*SMD Versionen und Kundenspezifische auf Anfrage*

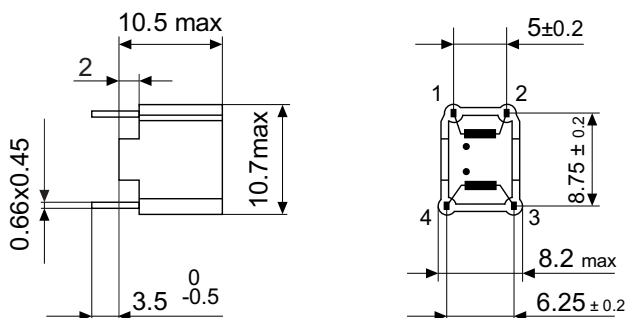


COMPLIANT  
ENTSPRECHEN

APPROVED  
GENEHMIGT



## MECHANICAL DIMENSIONS / MECHANISCHE DIMENSIONEN



## DIAGRAM / SCHEMA



## FEATURES / EIGENSCHAFTEN

Climatic Class Klimaklasse	25/100/21 as per IEC 60068-1
Inflammability Brennbarkeit	UL 94 V-0
Current Derating Stromrücknahme	over 40°C: $I = I_N * \sqrt{(100 - \theta a) / 60}$
$L_N$ Measured $L_N$ Gemessen	according to EN 60938-2
$R_{Cu}$ Measured $R_{Cu}$ Gemessen	at 25 °C ambient temperature

## ELECTRICAL DATA / ELEKTRISCHE WERTE

Operating Voltage Betriebsspannung	$U_R = 250$ ( max )	VAC
Current / Strom	$I_N = 2$	A
Inductance / Induktivität	$L_N = 2 \times 0.5 - 30\% + 50\%$	mH
Cu-Resistance / Cu-Widerstand	$R_{Cu} = 2 \times 50 \pm 10\%$	mΩ
Power dissipation / Verlustleistung	$P_{Loss} = 400$	mW
Test voltage / Prüf-Spannung	$U = 1500 / 2$ sec.	VAC
Res. Frequency / Res. Frequenz	$f_{res.} = 4.5$ ( approx )	MHz

Compensated Choke  
Kompensierte Drossel



TECHNICAL DATA SHEET  
TECHNISCHES DATENBLATT

Part no.  
CCSP-6210-02D5

Tot. fogli/sheet : 1  
Foglio/sheet nr. : 1

## Looking for pricing, stock, or lifecycle information?

Click below to explore more details on WIN SOURCE:

-  [View CCSP-6210-02D5 on WIN SOURCE](#)
-  [Caltron Information](#)

## Optimize Your Supply Chain with WIN SOURCE Solutions

-  Global Sourcing Solution
-  Obsolete Management
-  Cost Control Management
-  Shortage Management
-  Alternative Solution
-  Excess Inventory Management