



THE DATASHEET OF
009162006301150



SIM CARD CONNECTORS

Locking SIM 9162-300



For 9162 Slide-IN & 9162 SIM/microSD

- Accepts GSM Standard 11.11 cards
- Secure locking latch mechanism
- Robust, good resistance against shock and vibration
- SIM Installed Height – 1.50mm
- Polarized to eliminate improper insertion of the card

APPLICATIONS

- Cellular Phones
- Radios

FEATURES AND BENEFITS

- SMT with locking hinged guide
- 2.50mm connector height
- Selective gold on mating surface/tin on solder tails
- Tape and reel packaging

ELECTRICAL

- Current Rating: 0.3 Amp / Contact
- Voltage Rating: 30 VAC

ENVIRONMENTAL

- Operating Temperature:
-55°C to +125°C

MECHANICAL

- Insulator Material: High Temperature Plastic; UL94 V-0
- Contact Material: Copper Alloy
- Plating: Gold over Nickel
- Durability: 10,000 Cycles

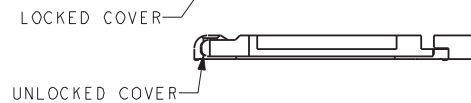
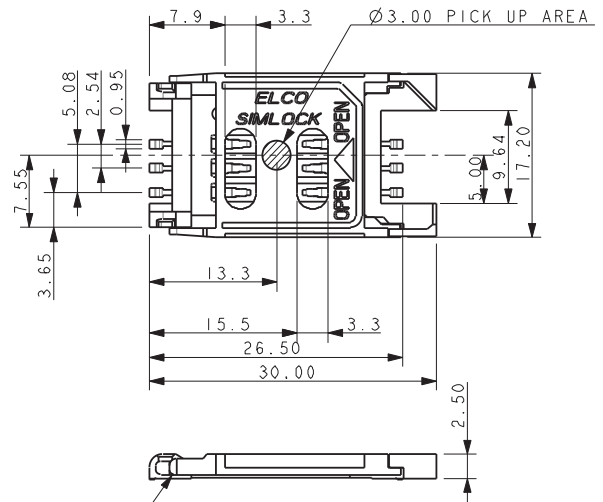
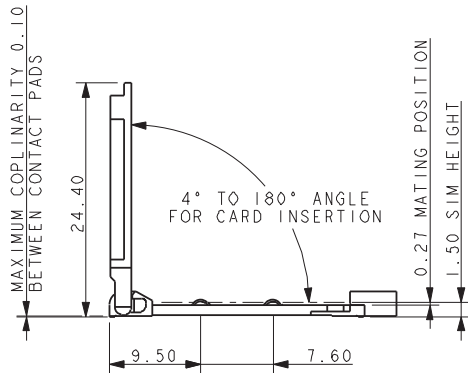
HOW TO ORDER

| | | | | | |
|-----------|-------------|--------------------|---------------------------------------|---|---|
| 00 | 9162 | 006 | 30 | 1 | 150 |
| Prefix | Series | Number of Contacts | SIM Type | Contact Plating | SIM Height |
| | | | 30 = SMT with Locking Hinge SIM Guide | 1 = Selective Gold on Contact Surface and Tin on Solder Tails | 150 = 1.50mm on SIM Card 2.50mm on Connector |

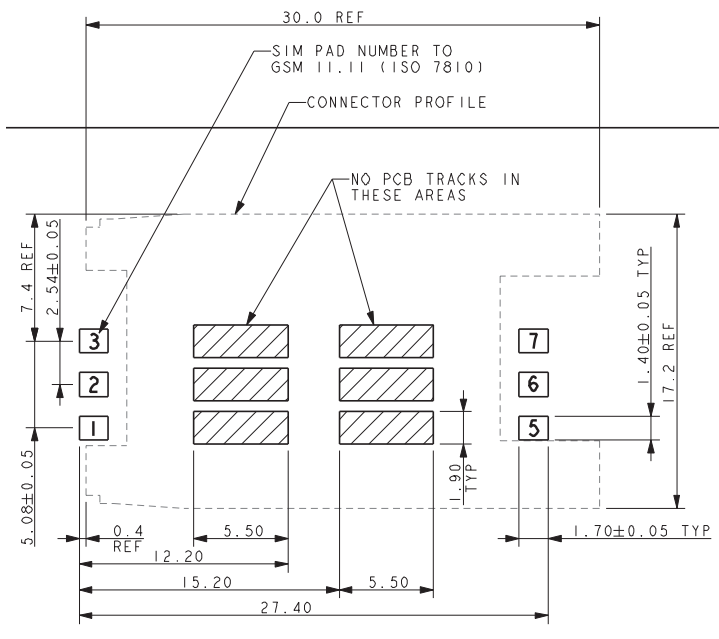
SIM CARD CONNECTORS

Locking SIM 9162-300

CONNECTOR DETAILS



SUGGESTED PCB LAYOUT



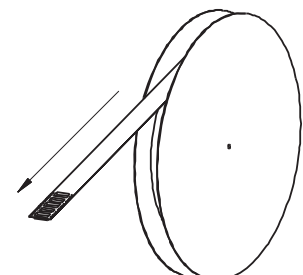
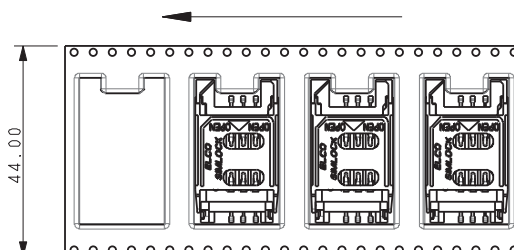
NOTES:

1. SALES DRAWING FOR SIMLOCK SIM READER.
2. ALL DIMENSIONS ARE REFERENCE DIMENSIONS UNLESS TOLERANCED.
3. FOR PRODUCT SPECIFICATION REFER TO ELCO SPEC. 201-01-111.
4. PACKING IN TAPE AND REEL, 600 PIECES IN A 330MM REEL.
5. MATERIAL: COVER AND HOUSING: HIGH TEMPERATURE THERMOPLASTIC UL94 V-0, COLOR BLACK. CONTACT: COPPER ALLOY, GOLD PLATING IN CONTACT AREA, TIN PLATING ON SOLDER TAILS, NICKEL UNDERCOAT ON ALL SURFACES.

PACKING DETAILS

CONTACT FUNCTIONS (ISO78161):

1. SSUPPLY VOLTAGE V_{cc} .
2. RESET
3. CLOCK
4. GROUND
5. PROGRAM VOLTAGE V_{pp} .
6. I/O



Looking for pricing, stock, or lifecycle information?

Click below to explore more details on WIN SOURCE:

- ⊖ [View 009162006301150 on WIN SOURCE](#)
- ⊖ [Kyocera International Inc. Electronic Components Information](#)

Optimize Your Supply Chain with WIN SOURCE Solutions

- ✓ Global Sourcing Solution
- ✓ Obsolete Management
- ✓ Cost Control Management
- ✓ Shortage Management
- ✓ Alternative Solution
- ✓ Excess Inventory Management