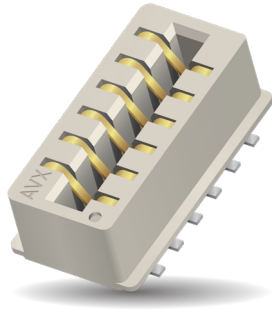


Vertical Dual Row Top Entry Card Edge

9159-650



GENERAL DESCRIPTION

KYOCERA AVX Interconnect continues to develop unique connectors to fill the gap in the market. An addition to KYOCERA AVX's broadening line of one piece card edge connectors is the 4p-12p dual row top entry version 9159-650, which is an extension of our popular single row version 9159-550. This new configuration with staggered dual row contacts will allow doubled number of positions in similar size of the connector. Available in both without and with polarization where the mating PCB layout is modified to form a key, to avoid wrong insertion to the connector.

This small connector is packed with several key features that provide significant functionality in a broad range of applications. The proven contact system is gold plated for enhanced reliability, signal integrity and full 2.5A/contact current rating. The connector is designed for mating PCB board with 1.6mm thickness and gold plated pads.

APPLICATIONS

Provides a one piece connector solution for perpendicular PCB mating in applications:

- Automotive & Transportation
- Industrial
- Lighting

FEATURES AND BENEFITS

- 2.5 Amps per contact current rating meets robust application requirements
- Doubled number of positions with dual row solution
- Optional kapton tape version supports pick and place robotic placement and SMT termination
- Available version with polarization where the mating PCB layout is modified to form a key, to avoid error during insertion
- Gold plated BeCu contact system for high reliability in harsh environments

ELECTRICAL

- Current Rating: 2.5 Amps / Contact
- Voltage Rating: 300 VAC

ENVIRONMENTAL

- Operating Temperature: -40°C to +125°C
- Storage Temperature: -40°C to +70°C

MECHANICAL

- Insulator Material: High temperature Nylon UL94V-0 rated
- Contact Material: Beryllium Copper
- Plating: Gold / Tin over Nickel
- Durability: 10 Cycles

HOW TO ORDER

00 Prefix
9159 Series
0XX No. of Ways

Code	Size	Contacts
004	2x2	4
006	2x3	6
008	2x4	8
010	2x5	10
012	2x6	12

65X Double Sided Thru Board Card Edge
 651 = with Kapton Tape
 653 = without Kapton Tape

9 Insulator Color

Code	Color	Application
9	White	UL Approved Standard

0 Keying
 0 = Without keying
 1 = With keying

6 Plating Options
 6 = Gold plating on nose with Tin on Tails



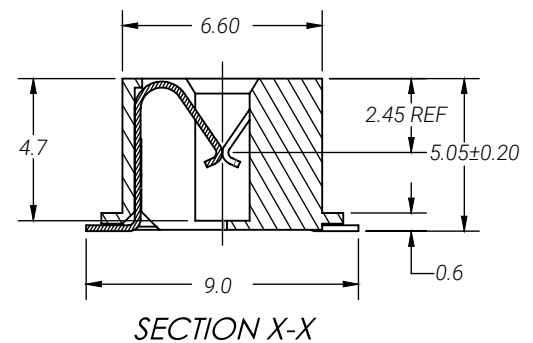
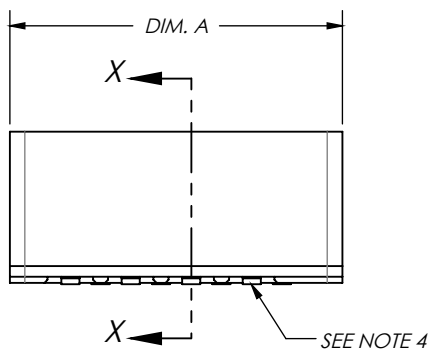
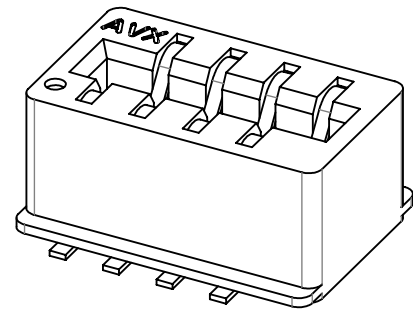
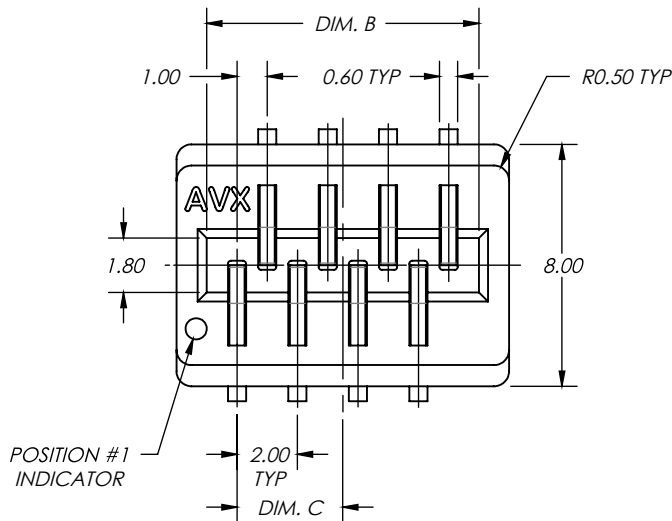
Vertical Dual Row Top Entry Card Edge

9159-650

00 9159 0XX 65X 906

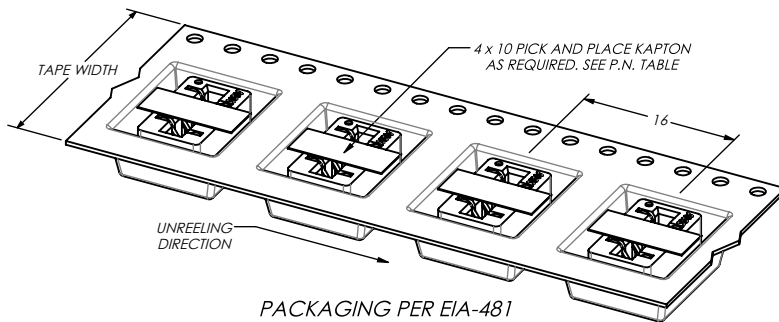
DIMENSIONS

Part Number	Size	Dim. A	Dim. B	Dim. C	Dim. D	Tape Width	Kapton Tape
00-9159-004-651-906	2 x 2	7.0	5.0	1.5	4.8	24	YES
00-9159-004-653-906							NO
00-9159-006-651-906	2 x 3	9.0	7.0	2.5	6.8	24	YES
00-9159-006-653-906							NO
00-9159-008-651-906	2 x 4	11.0	9.0	3.5	8.8	24	YES
00-9159-008-653-906							NO
00-9159-010-651-906	2 x 5	13.0	11.0	4.5	10.8	32	YES
00-9159-010-653-906							NO
00-9159-012-651-906	2 x 6	15.0	13.0	5.5	12.8	32	YES
00-9159-012-653-906							NO

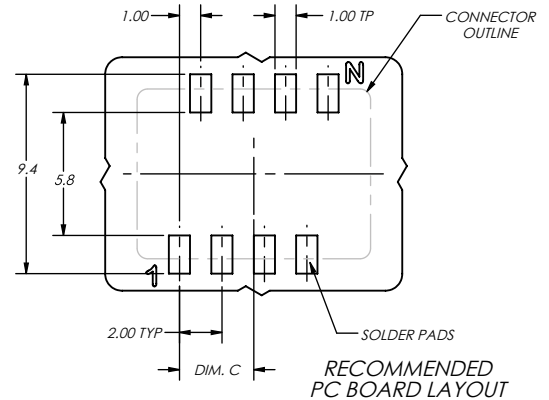


Vertical Dual Row Top Entry Card Edge

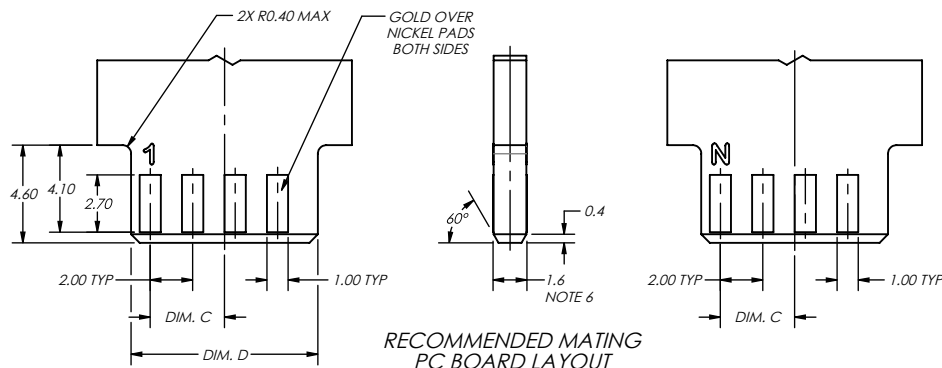
9159-650



PACKAGING PER EIA-481
700 PARTS PER 330 mm REEL



RECOMMENDED
PC BOARD LAYOUT



RECOMMENDED MATING
PC BOARD LAYOUT

NOTES:

1. FOR FURTHER DETAILS, REFER TO KYOCERA AVX SPECIFICATION 201-01-226 AND APPLICATION NOTES 201-01-227.
2. HOUSING MATERIAL: GLASS-FILLED, HIGH TEMPERATURE NYLON; FLAME RETARDANT PER UL94V-0; COLOR: NATURAL.
3. CONTACT MATERIAL: HIGH STRENGTH COPPER ALLOY.
4. CONTACT PLATING: NICKEL UNDERPLATE ALL OVER; GOLD FLASH IN CONTACT AREA; LEAD-FREE MATTE TIN ON TAILS.
5. CONTACT TAIL CO-PLANARITY TO BE WITHIN 0.10 mm.
6. MATING PCB THICKNESS TO INCLUDE COPPER AND PLATING.
7. UL APPROVED (US AND CANADA) UL REFERENCE E90723.

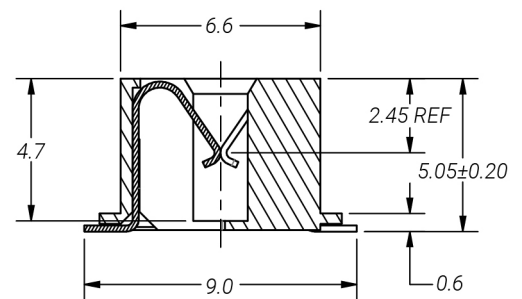
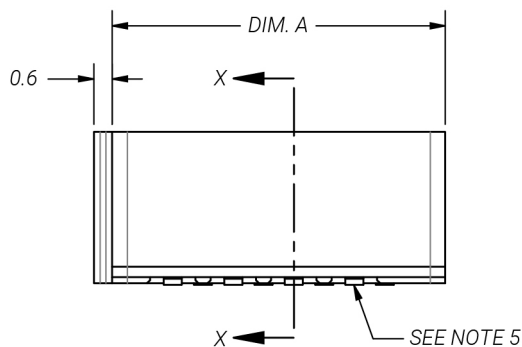
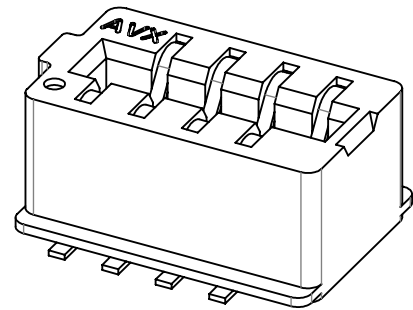
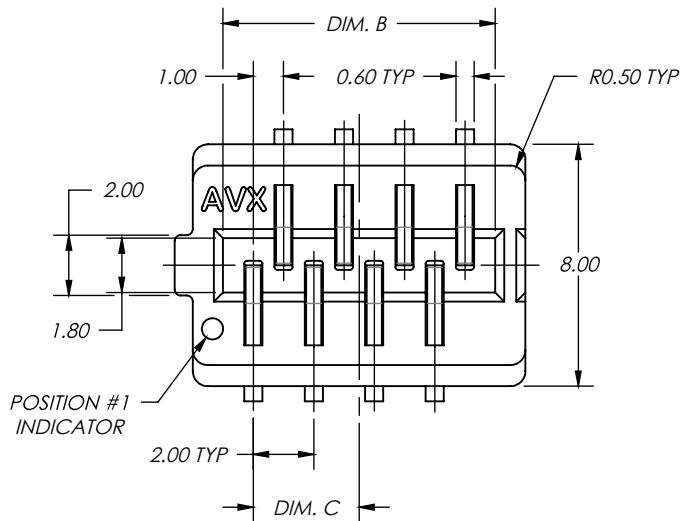
Vertical Dual Row Top Entry Card Edge

9159-650

00 9159 0XX 65X 916

DIMENSIONS

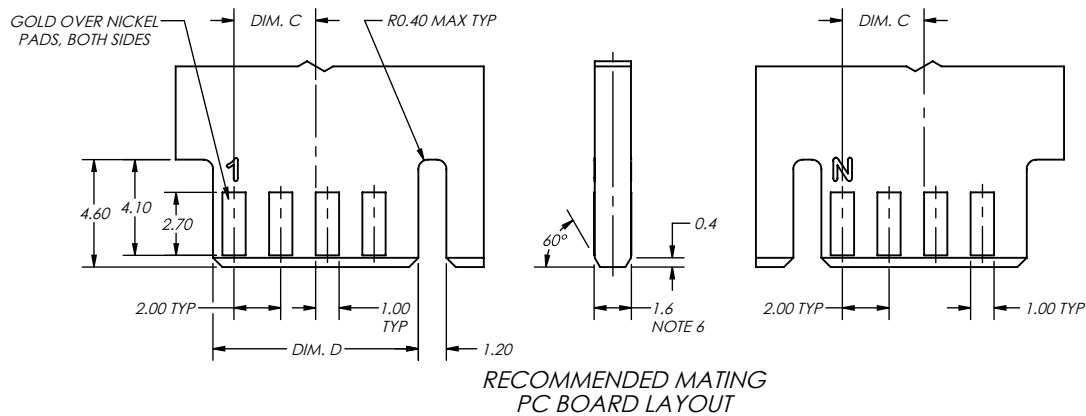
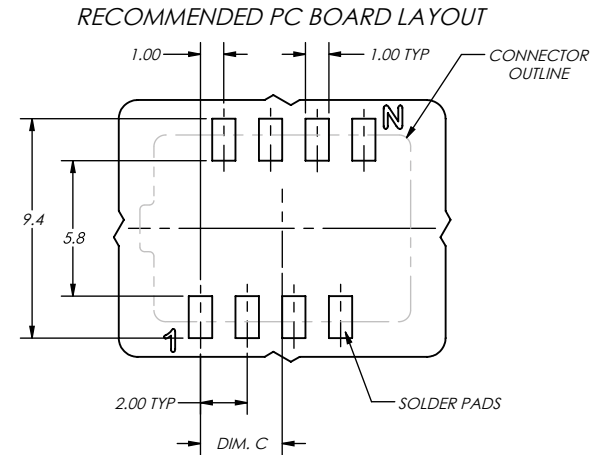
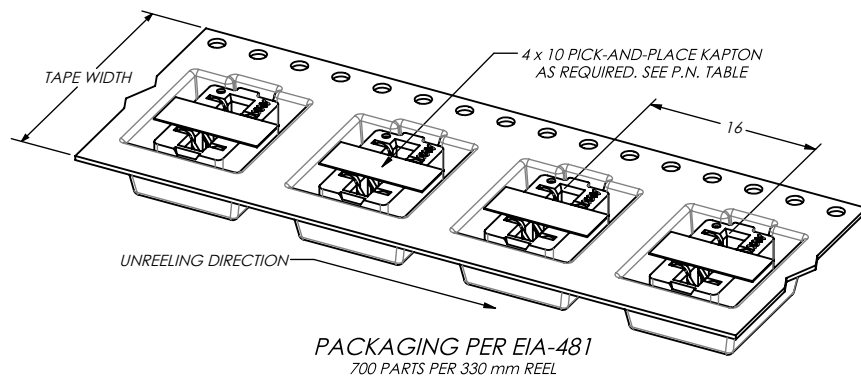
Part Number	Size	Dim. A	Dim. B	Dim. C	Dim. D	Tape Width	Kapton Tape
00-9159-004-651-916	2 x 2	7.0	5.0	1.5	4.8	24	YES
00-9159-004-653-916							NO
00-9159-006-651-916	2 x 3	9.0	7.0	2.5	6.8	24	YES
00-9159-006-653-916							NO
00-9159-008-651-916	2 x 4	11.0	9.0	3.5	8.8	24	YES
00-9159-008-653-916							NO
00-9159-010-651-916	2 x 5	13.0	11.0	4.5	10.8	32	YES
00-9159-010-653-916							NO
00-9159-012-651-916	2 x 6	15.0	13.0	5.5	12.8	32	YES
00-9159-012-653-916							NO



SECTION X-X

Vertical Dual Row Top Entry Card Edge

9159-650



NOTES:

1. FOR FURTHER DETAILS, REFER TO KYOCERA AVX SPECIFICATION 201-01-226 AND APPLICATION NOTES 201-01-227.
2. HOUSING MATERIAL: GLASS-FILLED, HIGH TEMPERATURE NYLON; FLAME RETARDANT PER UL94V-0; COLOR: NATURAL.
3. CONTACT MATERIAL: HIGH STRENGTH COPPER ALLOY.
4. CONTACT PLATING: NICKEL UNDERPLATE ALL OVER; GOLD FLASH IN CONTACT AREA; LEAD-FREE MATTE TIN ON TAILS.
5. CONTACT TAIL CO-PLANARITY TO BE WITHIN 0.10 mm.
6. MATING PCB THICKNESS TO INCLUDE COPPER AND PLATING.
7. UL APPROVED (US AND CANADA); UL REFERENCE E90723.

Looking for pricing, stock, or lifecycle information?

Click below to explore more details on WIN SOURCE:

- ⊖ [View 009159012651906 on WIN SOURCE](#)
- ⊖ [Kyocera International Inc. Electronic Components Information](#)

Optimize Your Supply Chain with WIN SOURCE Solutions

- ✓ Global Sourcing Solution
- ✓ Obsolete Management
- ✓ Cost Control Management
- ✓ Shortage Management
- ✓ Alternative Solution
- ✓ Excess Inventory Management