



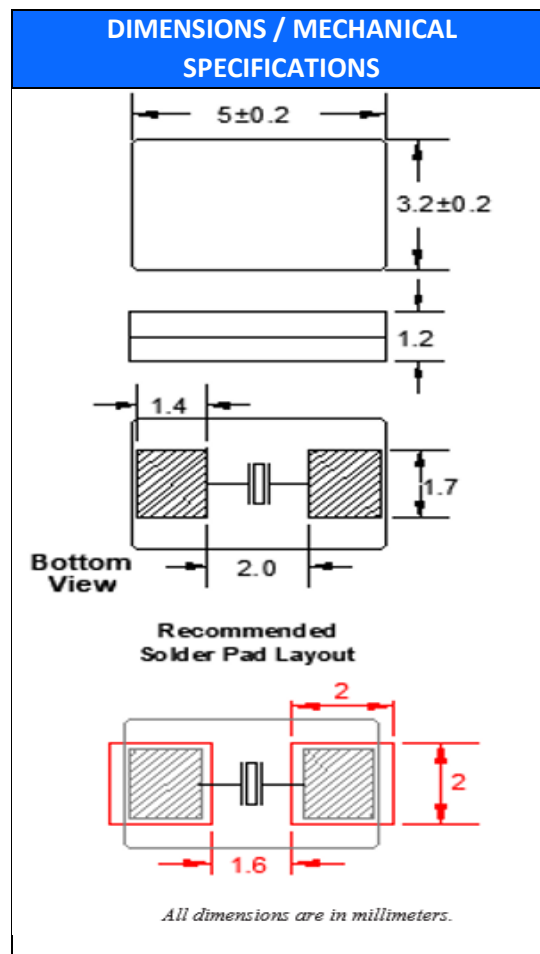
**THE DATASHEET OF
FC5AQBBGE12.0-T1**



Features

- Tolerances down to ± 20 PPM
- Stabilities down to ± 10 PPM

STANDARD SPECIFICATIONS	
PARAMETERS	MAX (Unless otherwise noted)
Frequency Range	8.000 ~ 48.000 MHz
Frequency Tolerance @ 25°C	(See options below)
Frequency Stability, ref 25°C	(See options below)
Temperature Range	
Operating (T_{OPR})	(See options below)
Storage (T_{STG})	-40°C ~ +85°C
Shunt Capacitance (C_0)	7 pF
Load Capacitance (C_L)	(See options below)
Drive Level	0.5mW
Aging per year (@ 25°C)	± 5 PPM
Termination Finish	Ag
Seal Method	Resin
Lead (Pb) Free	Yes
RoHS Compliant	Yes



Note: Dimensional drawing is for reference to critical specifications defined by size measurements. Certain non-critical visual attributes, such as side castellations, etc. may vary.

Frequency Range (MHz)	Operating Mode	Max ESR Ω
8.000000 ~ 11.999999	Fundamental	100
12.000000 ~ 16.000	Fundamental	80
16.000001 ~ 48.000	Fundamental	50

AVAILABLE OPERATING TEMPERATURES AND STABILITIES*						
Operating Temperature	± 10 PPM	± 15 PPM	± 20 PPM	± 25 PPM	± 30 PPM	± 50 PPM
0°C ~ +70°C	O	O	O	O	O	O
-20°C ~ +70°C	O	O	O	O	O	O
-40°C ~ +85°C	X	X	X	X	O	O

Key: O = Available, X = Not Available *Does not imply a stocked part.

FC5AQ

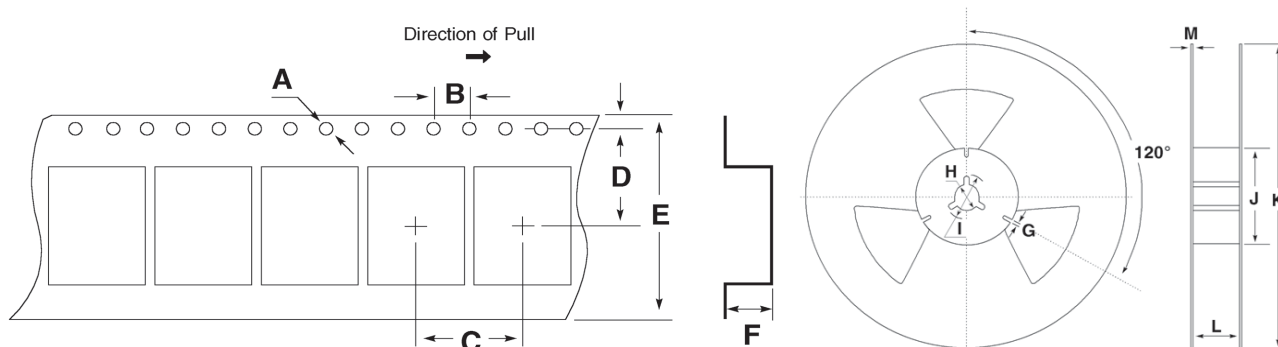
(Former FQ5032A)

5.0mm x 3.2mm

SMD Crystal



TAPE SPECIFICATIONS (mm)							REEL SPECIFICATIONS (mm)						
A	B	C	D	E	F	REEL QTY	G	H	I	J	K	L	M
ø1.5	4.0	8.0	5.5	12.0	1.5	-T1 = 1,000	2.0	ø13	ø21	ø62	ø180	13.5	2.0



Available Options & Part Identification for SMD Crystal FC5AQ¹

Sample PN: FC5AQCCMC25.0-T1

F	C5AQ	C	C	M	C	25.0	-T1
<u>Fox</u>	<u>Model Number</u>	<u>Tolerance</u> B = 50 PPM C = 30 PPM D = 25 PPM E = 20 PPM	<u>Stability</u> A = 100 PPM B = 50 PPM C = 30 PPM D = 25 PPM E = 20 PPM F = 15PPM H = 10 PPM	<u>Load Capacitance²</u> A= Series V = 7pF D = 8pF E = 10pF G = 12pF K = 16pF L = 18 pF M = 20pF	<u>Operating Temperature</u> C = 0 to +70°C E = -10 to +70°C F = -20 to +70°C M = -40 to +85°C	<u>Frequency (MHz)</u>	<u>Values Added Options</u> Blank = Bulk T1 = 1,000 pcs

1 Not all frequency, tolerance, stability, load, and operating temperature combinations may be available.


2 Listed load capacitances represent the most commonly used. Other load capacitances are available. Contact us for assistance

Reliability Test Conditions

Please contact Abracon Quality Assurance department

Looking for pricing, stock, or lifecycle information?

Click below to explore more details on WIN SOURCE:

 [View FC5AQBBGE12.0-T1 on WIN SOURCE](#)

 [Fox Electronics](#) Information

Optimize Your Supply Chain with WIN SOURCE Solutions

-  Global Sourcing Solution
-  Obsolete Management
-  Cost Control Management
-  Shortage Management
-  Alternative Solution
-  Excess Inventory Management