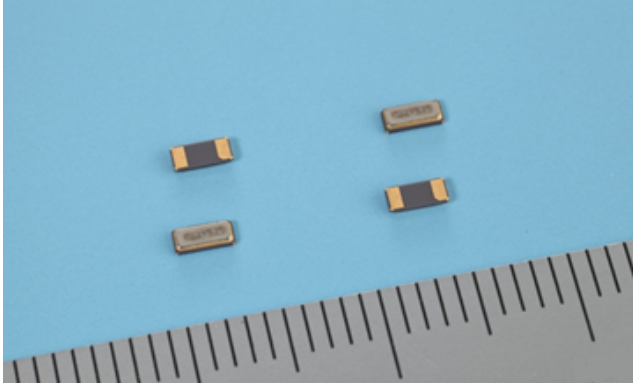




**THE DATASHEET OF
SC32S-12.5PF20PPM**



SC-32S



Features

- Thin type (0.75mm)
- Suitable for high density surface mounting
- Excellent shock and heat resistance
- Complete Pb-free
- Complies with EU RoHS directive
- A crystal resonator processed by high reliable photolithographic technology inside

Applications

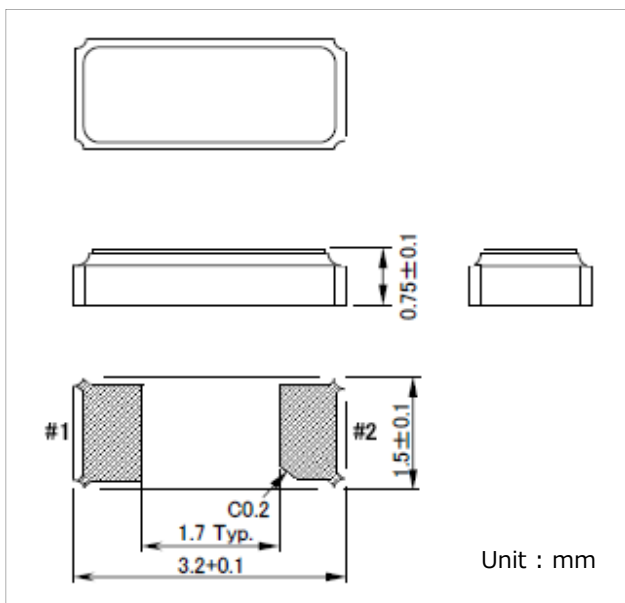
Mobile Phone, Wearable, Module, Sub-clock function for a variety of Micro-computer etc.

(Temperature: 25±2°C, DL;0.1μW)

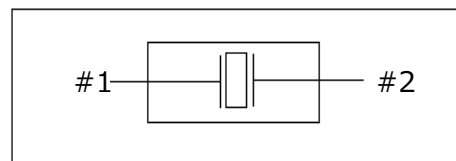
Standard Specifications

| Item | Symbol | Specifications | Conditions Note |
|---------------------------|--------|--|---------------------|
| Nominal Frequency | f_nom | 32.768kHz | |
| Frequency Tolerance | f_tol | ±20×10 ⁻⁶ | Please specify |
| Turnover Temperature | Ti | +25±5°C | |
| Parabolic Coefficient | B | (-0.030±10%)×10 ⁻⁶ /°C ² | |
| Load Capacitance | CL | 6pF~12.5pF | |
| Motional Resistance (ESR) | R1 | 70kΩ max. | |
| Absolute Max. Drive Level | DLmax. | 1.0μW max. | |
| Drive Level | DL | 0.1μW typ. | |
| Shunt Capacitance | C0 | 1.0pF typ. | |
| Frequency Ageing | f_age | ±3×10 ⁻⁶ | +25±3°C, First Year |
| Operating Temperature | T_use | -40~+85°C | |
| Storage Temperature | T_stg | -55~+125°C | Piece part basis |

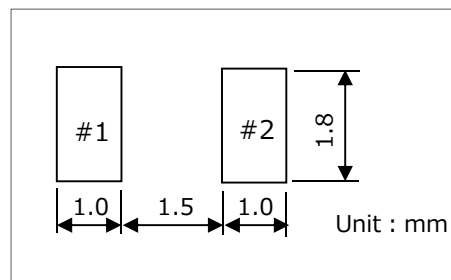
Dimensions



Internal Lead Connections



Recommended Soldering Pattern





Remark: Please make sure that there is no pattern under SC-32S on the circuit board.

Seiko Instruments Inc.

Quartz Crystal Sales Department
 1-8, Nakase, Mihamaku, Chiba-shi, Chiba 261-8507, Japan
 Tel : +81-43-211-1207 Fax : +81-43-211-8030
[http : //www.sii.co.jp/en/quartz/](http://www.sii.co.jp/en/quartz/)

Looking for pricing, stock, or lifecycle information?

Click below to explore more details on WIN SOURCE:

-  [View SC32S-12.5PF20PPM on WIN SOURCE](#)
-  [Seiko Instruments Information](#)

Optimize Your Supply Chain with WIN SOURCE Solutions

-  Global Sourcing Solution
-  Obsolete Management
-  Cost Control Management
-  Shortage Management
-  Alternative Solution
-  Excess Inventory Management