



**THE DATASHEET OF
ADC3683IRSBR**



ADC368x 18-bit 0.5 to 65-MSPS Low Noise Ultra-low Power Dual Channel ADC

1 Features

- Dual channel ADC
- 18-bit 10, 25, 65 MSPS ADC
- Noise floor: -160 dBFS/Hz
- Low power and optimized power scaling: 53 mW/ch (10 MSPS) to 94 mW/ch (65 MSPS)
- Latency: 1-2 clock cycles
- 18-bit, no missing codes
- INL/DNL: $\pm 7 / \pm 0.7$ LSB (typical)
- Reference: external or internal
- Input bandwidth: 900 MHz (3-dB)
- Industrial temperature range: -40 to +105°C
- On-chip digital filter (optional)
 - Decimation by 2, 4, 8, 16, 32
 - 32-bit NCO
- Serial LVDS digital interface (2-, 1- and 1/2-wire)
- Small footprint: 40-QFN (5x5 mm) package
- Spectral performance ($f_{IN} = 5$ MHz):
 - SNR: 83.8 dBFS
 - SFDR: 89 dBc HD2, HD3
 - SFDR: 101 dBFS Worst spur
- Spectral performance ($f_{IN} = 20$ MHz):
 - SNR: 82.6 dBFS
 - SFDR: 85 dBc HD2, HD3
 - SFDR: 97 dBFS Worst spur

2 Applications

- High-speed data acquisition
- Industrial monitoring
- [Software defined radio](#)
- [Power quality analyzer](#)
- [Source measurement unit \(SMU\)](#)
- [Communications infrastructure](#)
- [Spectrum analyzer](#)
- Control loops
- Instrumentation
- Imaging
- [Spectroscopy](#)
- [Radar](#)

3 Description

The ADC3681, 82, 83 (ADC368x) is a low noise, ultra-low power 18-bit 65 MSPS high-speed dual channel ADC family. Designed for lowest noise performance, it delivers a noise spectral density of -160 dBFS/Hz combined with excellent linearity and dynamic range. The ADC368x offers excellent DC precision together with IF sampling support which makes it suited for a wide range of applications. High-speed control loops benefit from the short latency as low as only 1 clock cycle. The ADC consumes only 94 mW/ch at 65 MspS and its power consumption scales well with lower sampling rates.

The ADC368x uses a serial LVDS (SLVDS) interface to output the data which minimizes the number of digital interconnects. The device supports two-lane, one-lane and half-lane options. The ADC36xx is a pin to pin compatible family of ADCs with 16 and 18-bit resolution and different speed grades. It comes in a 40-pin QFN package (5 x 5mm) and supports the extended industrial temperature range from -40 to +105°C.

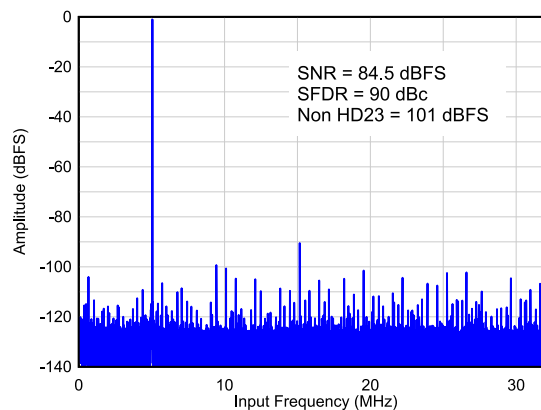
Package Information

| PART NUMBER | PACKAGE ⁽¹⁾ | BODY SIZE (NOM) |
|-------------|------------------------|-------------------|
| ADC368x | VQFN (40) | 5.00 mm x 5.00 mm |

(1) For all available packages, see the orderable addendum at the end of the data sheet.

Device Comparison

| PART NUMBER | RESOLUTION | SAMPLING RATE |
|-------------|------------|---------------|
| ADC3683 | 18 BIT | 65 MSPS |
| ADC3682 | 18 BIT | 25 MSPS |
| ADC3681 | 18 BIT | 10 MSPS |



FFT: $F_s = 65$ MSPS, $F_{in} = 5$ MHz



Table of Contents

| | | | |
|---|----|--|----|
| 1 Features | 1 | 8.1 Overview..... | 28 |
| 2 Applications | 1 | 8.2 Functional Block Diagram..... | 28 |
| 3 Description | 1 | 8.3 Feature Description..... | 29 |
| 4 Revision History | 2 | 8.4 Device Functional Modes..... | 50 |
| 5 Pin Configuration and Functions | 3 | 8.5 Programming..... | 52 |
| 6 Specifications | 5 | 8.6 Register Map..... | 54 |
| 6.1 Absolute Maximum Ratings..... | 5 | 9 Application Information Disclaimer | 69 |
| 6.2 ESD Ratings..... | 5 | 9.1 Typical Application..... | 69 |
| 6.3 Recommended Operating Conditions..... | 5 | 9.2 Initialization Set Up..... | 72 |
| 6.4 Thermal Information..... | 5 | 9.3 Power Supply Recommendations..... | 73 |
| 6.5 Electrical Characteristics - Power Consumption..... | 6 | 9.4 Layout..... | 74 |
| 6.6 Electrical Characteristics - DC Specifications..... | 7 | 10 Device and Documentation Support | 76 |
| 6.7 Electrical Characteristics - AC Specifications..... | 9 | 10.1 Receiving Notification of Documentation Updates.. | 76 |
| 6.8 Timing Requirements..... | 12 | 10.2 Support Resources..... | 76 |
| 6.9 Typical Characteristics - ADC3681..... | 14 | 10.3 Trademarks..... | 76 |
| 6.10 Typical Characteristics - ADC3682..... | 17 | 10.4 Electrostatic Discharge Caution..... | 76 |
| 6.11 Typical Characteristics - ADC3683..... | 21 | 10.5 Glossary..... | 76 |
| 7 Parameter Measurement Information | 26 | 11 Mechanical, Packaging, and Orderable Information | 76 |
| 8 Detailed Description | 28 | | |

4 Revision History

NOTE: Page numbers for previous revisions may differ from page numbers in the current version.

| Changes from Revision A (December 2021) to Revision B (October 2022) | Page |
|--|------|
| • Removed the Product Preview note from part number ADC3681 in the <i>Device Comparison</i> table..... | 1 |
| • Added the Typical Characteristics - ADC3681 graphs..... | 14 |
| • Added the Typical Characteristics - ADC3682 graphs..... | 17 |
| • Added GND symbol to REFGND pin for all voltage reference option diagrams..... | 34 |
| • Added the Output Bit Mapper section..... | 46 |
| • Added Table 8-11 | 52 |
| • Changed Figure 9-6 diagram with correct indexing | 72 |

| Changes from Revision * (December 2020) to Revision A (December 2021) | Page |
|--|------|
| • Removed the Product Preview note from part number ADC3682 in the <i>Device Comparison</i> table..... | 1 |
| • Changed Sample N+1 position in Figure 7-2 and Figure 7-3 | 26 |
| • Added condition to resynch during operation to the SYNC section..... | 41 |

5 Pin Configuration and Functions

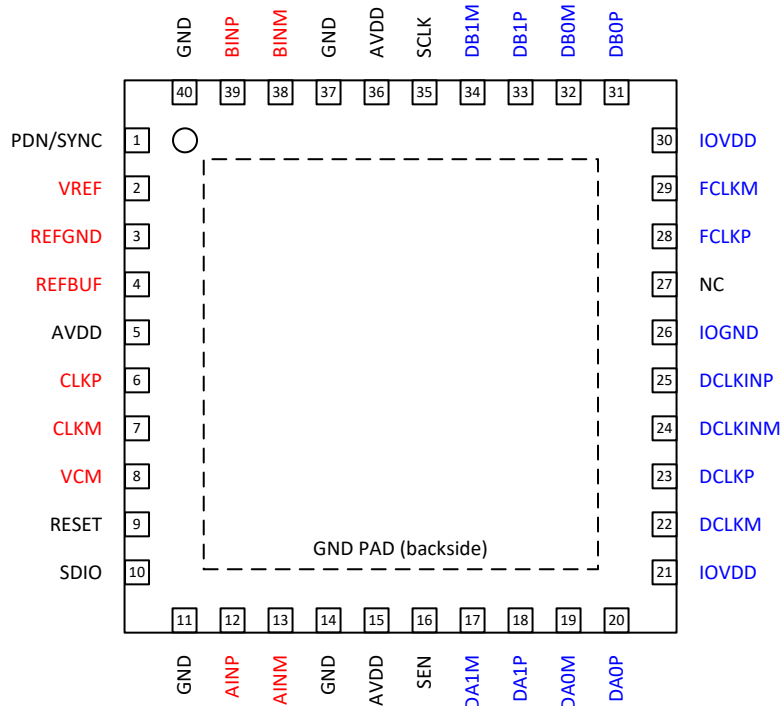


Figure 5-1. RSB (WQFN) Package, 40-Pin (Top View)

Table 5-1. Pin Descriptions

| PIN | | I/O | Description |
|------------------------|-----|-----|--|
| Name | No. | | |
| INPUT/REFERENCE | | | |
| AINP | 12 | I | Positive analog input, channel A |
| AINM | 13 | I | Negative analog input, channel A |
| BINP | 39 | I | Positive analog input, channel B |
| BINM | 38 | I | Negative analog input, channel B |
| VCM | 8 | O | Common-mode voltage output for the analog inputs, 0.95V |
| VREF | 2 | I | External voltage reference input, 1.6V |
| REFBUF | 4 | I | 1.2V external voltage reference input for use with internal reference buffer. Internal 100 kΩ pull-up resistor to AVDD. This pin is also used to configure default operating conditions. |
| REFGND | 3 | I | Reference ground input, 0V |
| CLOCK | | | |
| CLKP | 6 | I | Positive differential sampling clock input for the ADC |
| CLKM | 7 | I | Negative differential sampling clock input for the ADC |
| CONFIGURATION | | | |
| PDN/SYNC | 1 | I | Power down/Synchronization input. This pin can be configured via the SPI interface. Active high. This pin has an internal 21 kΩ pull-down resistor. |
| RESET | 9 | I | Hardware reset. Active high. This pin has an internal 21 kΩ pull-down resistor. |
| SEN | 16 | I | Serial interface enable. Active low. This pin has an internal 21 kΩ pull-up resistor to AVDD. |
| SCLK | 35 | I | Serial interface clock input. This pin has an internal 21 kΩ pull-down resistor. |
| SDIO | 10 | I/O | Serial interface data input and output. This pin has an internal 21 kΩ pull-down resistor. |
| NC | 27 | - | Do not connect |

Table 5-1. Pin Descriptions (continued)

| PIN | | I/O | Description |
|--------------------------|--------------------------|-----|--|
| Name | No. | | |
| DIGITAL INTERFACE | | | |
| DA0P | 20 | O | Positive differential serial LVDS output for lane 0, channel A |
| DA0M | 19 | O | Negative differential serial LVDS output for lane 0, channel A |
| DA1P | 18 | O | Positive differential serial LVDS output for lane 1, channel A |
| DA1M | 17 | O | Negative differential serial LVDS output for lane 1, channel A |
| DB0P | 31 | O | Positive differential serial LVDS output for lane 0, channel B |
| DB0M | 32 | O | Negative differential serial LVDS output for lane 0, channel B |
| DB1P | 33 | O | Positive differential serial LVDS output for lane 1, channel B |
| DB1M | 34 | O | Negative differential serial LVDS output for lane 1, channel B |
| DCLKP | 23 | O | Positive differential serial LVDS bit clock output. |
| DCLKM | 22 | O | Negative differential serial LVDS bit clock output. |
| FCLKP | 28 | O | Positive differential serial LVDS frame clock output. |
| FCLKM | 29 | O | Negative differential serial LVDS frame clock output. |
| DCLKINP | 25 | I | Positive differential serial LVDS bit clock input. Internal 100 Ω differential termination. |
| DCLKINM | 24 | I | Negative differential serial LVDS bit clock input. Internal 100 Ω differential termination. |
| POWER SUPPLY | | | |
| AVDD | 5,15,36 | I | Analog 1.8V power supply |
| GND | 11,14,37,40, PowerPad | I | Ground, 0V |
| IOVDD | 21,30 | I | 1.8V power supply for digital interface |
| IOGND | 26 | I | Ground, 0V for digital interface |

6 Specifications

6.1 Absolute Maximum Ratings

over operating free-air temperature range (unless otherwise noted)⁽¹⁾

| PARAMETER | TEST CONDITIONS | MIN | MAX | UNIT |
|--|--------------------------------------|------|---------------------|------|
| Supply voltage range, AVDD, IOVDD | | -0.3 | 2.1 | V |
| Supply voltage range, GND, IOGND, REFGND | | -0.3 | 0.3 | V |
| Voltage applied to input pins | AINP/M, BINP/M, CLKP/M, VREF, REFBUF | -0.3 | MIN(2.1, AVDD+0.3) | V |
| | PDN/SYNC, RESET, SCLK, SEN, SDIO | -0.3 | MIN(2.1, AVDD+0.3) | |
| | DCLKINP/M | -0.3 | MIN(2.1, IOVDD+0.3) | |
| Junction temperature, T _J | | | 105 | °C |
| Storage temperature, T _{stg} | | -65 | 150 | °C |

- (1) Stresses beyond those listed under *Absolute Maximum Ratings* may cause permanent damage to the device. These are stress ratings only, which do not imply functional operation of the device at these or any other conditions beyond those indicated under *Recommended Operating Conditions*. Exposure to absolute-maximum-rated conditions for extended periods may affect device reliability.

6.2 ESD Ratings

| | | TEST CONDITIONS | VALUE | UNIT |
|--------------------|-------------------------|--|-------|------|
| V _(ESD) | Electrostatic discharge | Human body model (HBM), per ANSI/ESDA/JEDEC JS-001, all pins ⁽¹⁾ | 2500 | V |
| | | Charged device model (CDM), per JEDEC specification JESD22-C101, all pins ⁽²⁾ | 1000 | |

- (1) JEDEC document JEP155 states that 500-V HBM allows safe manufacturing with a standard ESD control process.
(2) JEDEC document JEP157 states that 250-V CDM allows safe manufacturing with a standard ESD control process.

6.3 Recommended Operating Conditions

over operating free-air temperature range (unless otherwise noted)

| | | MIN | NOM | MAX | UNIT |
|----------------------|--------------------------------|------|-----|--------------------|------|
| Supply voltage range | AVDD ⁽¹⁾ | 1.75 | 1.8 | 1.85 | V |
| | IOVDD ⁽¹⁾ | 1.75 | 1.8 | 1.85 | V |
| T _A | Operating free-air temperature | -40 | | 105 | °C |
| T _J | Operating junction temperature | | | 105 ⁽²⁾ | °C |

- (1) Measured to GND.
(2) Prolonged use above this junction temperature may increase the device failure-in-time (FIT) rate.

6.4 Thermal Information

| THERMAL METRIC ⁽¹⁾ | | ADC368x | UNIT |
|-------------------------------|--|-----------|------|
| | | RSB (QFN) | |
| | | 40 Pins | |
| R _{θJA} | Junction-to-ambient thermal resistance | 30.7 | °C/W |
| R _{θJC(top)} | Junction-to-case (top) thermal resistance | 16.4 | °C/W |
| R _{θJB} | Junction-to-board thermal resistance | 10.5 | °C/W |
| Ψ _{JT} | Junction-to-top characterization parameter | 0.2 | °C/W |
| Ψ _{JB} | Junction-to-board characterization parameter | 10.5 | °C/W |
| R _{θJC(bot)} | Junction-to-case (bottom) thermal resistance | 2.0 | °C/W |

- (1) For more information about traditional and new thermal metrics, see the *Semiconductor and IC Package Thermal Metrics* application report, SPRA953.

6.5 Electrical Characteristics - Power Consumption

Typical values are over the operating free-air temperature range, at $T_A = 25^\circ\text{C}$, full temperature range is $T_{\text{MIN}} = -40^\circ\text{C}$ to $T_{\text{MAX}} = 105^\circ\text{C}$, ADC sampling rate = 65 MSPS, 50% clock duty cycle, AVDD = IOVDD = 1.8 V, external 1.6 V reference, and -1-dBFS differential input, unless otherwise noted

| PARAMETER | | TEST CONDITIONS | MIN | TYP | MAX | UNIT |
|-------------------------|--|---|-----|-----|-----|------|
| ADC3681: 10 MSPS | | | | | | |
| I_{AVDD} | Analog supply current | External reference | | 30 | 46 | mA |
| I_{IOVDD} | I/O supply current | SLVDS 1-wire | | 29 | 46 | |
| P_{DIS} | Power dissipation | External reference, 1-wire | | 106 | 166 | mW |
| I_{IOVDD} | I/O supply current | 1-wire, 1/2-swing | | 22 | | mA |
| | | 2-wire | | 36 | | |
| | | 1/2-wire | | 26 | | |
| | | 4x real decimation, 1-wire | | 30 | | |
| | | 4x real decimation, 1/2-wire | | 27 | | |
| ADC3682: 25 MSPS | | | | | | |
| I_{AVDD} | Analog supply current | External reference | | 34 | 46 | mA |
| I_{IOVDD} | I/O supply current | 1-wire | | 32 | 46 | |
| P_{DIS} | Power dissipation | External reference, 1-wire | | 119 | 166 | mW |
| I_{IOVDD} | I/O supply current | 1-wire, 1/2-swing | | 24 | | mA |
| | | 2-wire | | 38 | | |
| | | 1/2-wire | | 28 | | |
| | | 4x real decimation, 1-wire | | 33 | | |
| | | 4x real decimation, 1/2-wire | | 30 | | |
| ADC3683: 65 MSPS | | | | | | |
| I_{AVDD} | Analog supply current | External reference | | 63 | 82 | mA |
| I_{IOVDD} | I/O supply current | 2-wire | | 41 | 47 | |
| P_{DIS} | Power dissipation | External reference, 2-wire | | 187 | 232 | mW |
| I_{IOVDD} | I/O supply current | 2-wire, 1/2-swing | | 30 | | mA |
| | | 4x real decimation, 1-wire | | 39 | | |
| | | 4x real decimation, 1/2-wire | | 36 | | |
| | | 16x real decimation, 1-wire | | 37 | | |
| | | 16x real decimation, 1/2-wire | | 33 | | |
| | | 4x complex decimation, 1-wire | | 44 | | |
| | | 16x complex decimation, 1-wire | | 40 | | |
| | | 16x complex decimation, 1/2-wire | | 36 | | |
| MISCELLANEOUS | | | | | | |
| I_{AVDD} | Internal reference, additional analog supply current | | | 3 | | mA |
| | External 1.2V reference (REFBUF), additional analog supply current | | | 0.3 | | |
| | Single ended clock input, reduces analog supply current by | Enabled via SPI | | 0.7 | | |
| P_{DIS} | Power consumption in global power down mode | Default mask settings, internal reference | | 5 | | mW |
| | | Default mask settings, external reference | | 9 | | |

6.6 Electrical Characteristics - DC Specifications

Typical values are over the operating free-air temperature range, at $T_A = 25^\circ\text{C}$, full temperature range is $T_{\text{MIN}} = -40^\circ\text{C}$ to $T_{\text{MAX}} = 105^\circ\text{C}$, ADC sampling rate = 65 MSPS, 50% clock duty cycle, $\text{AVDD} = \text{IOVDD} = 1.8\text{ V}$, 1.6 V external reference, and -1-dBFS differential input, unless otherwise noted

| PARAMETER | | TEST CONDITIONS | MIN | TYP | MAX | UNIT |
|------------------------------|-------------------------------|--------------------------------|-----|-----------|------------|-----------------------|
| DC ACCURACY | | | | | | |
| No missing codes | | | 18 | | | bits |
| PSRR | | $F_{\text{IN}} = 1\text{ MHz}$ | | 50 | | dB |
| ADC3681: 10 MSPS | | | | | | |
| DNL | Differential nonlinearity | $F_{\text{IN}} = 5\text{ MHz}$ | | ± 0.7 | ± 0.85 | LSB |
| INL | Integral nonlinearity | $F_{\text{IN}} = 5\text{ MHz}$ | | ± 7 | ± 16 | LSB |
| $V_{\text{OS_ERR}}$ | Offset error | | | ± 10 | ± 410 | LSB |
| $V_{\text{OS_DRIFT}}$ | Offset drift over temperature | | | -0.04 | | LSB/ $^\circ\text{C}$ |
| GAIN_{ERR} | Gain error | External 1.6V Reference | | 0.9 | | %FSR |
| $\text{GAIN}_{\text{DRIFT}}$ | Gain drift over temperature | External 1.6V Reference | | 2 | | ppm/ $^\circ\text{C}$ |
| GAIN_{ERR} | Gain error | Internal Reference | | 0.64 | | %FSR |
| $\text{GAIN}_{\text{DRIFT}}$ | Gain drift over temperature | Internal Reference | | 109 | | ppm/ $^\circ\text{C}$ |
| Transition Noise | | | | 5 | | LSB |
| ADC3682: 25 MSPS | | | | | | |
| DNL | Differential nonlinearity | $F_{\text{IN}} = 5\text{ MHz}$ | | ± 0.7 | ± 0.85 | LSB |
| INL | Integral nonlinearity | $F_{\text{IN}} = 5\text{ MHz}$ | | ± 7 | ± 16 | LSB |
| $V_{\text{OS_ERR}}$ | Offset error | | | ± 40 | ± 410 | LSB |
| $V_{\text{OS_DRIFT}}$ | Offset drift over temperature | | | -0.02 | | LSB/ $^\circ\text{C}$ |
| GAIN_{ERR} | Gain error | External 1.6V Reference | | 0.001 | | %FSR |
| $\text{GAIN}_{\text{DRIFT}}$ | Gain drift over temperature | External 1.6V Reference | | 1.5 | | ppm/ $^\circ\text{C}$ |
| GAIN_{ERR} | Gain error | Internal Reference | | -0.26 | | %FSR |
| $\text{GAIN}_{\text{DRIFT}}$ | Gain drift over temperature | Internal Reference | | 106 | | ppm/ $^\circ\text{C}$ |
| Transition Noise | | | | 5 | | LSB |
| ADC3683: 65 MSPS | | | | | | |
| DNL | Differential nonlinearity | $F_{\text{IN}} = 5\text{ MHz}$ | | ± 0.7 | ± 0.9 | LSB |
| INL | Integral nonlinearity | $F_{\text{IN}} = 5\text{ MHz}$ | | ± 7 | ± 19 | LSB |
| $V_{\text{OS_ERR}}$ | Offset error | | | ± 130 | ± 510 | LSB |
| $V_{\text{OS_DRIFT}}$ | Offset drift over temperature | | | ± 0.2 | | LSB/ $^\circ\text{C}$ |
| GAIN_{ERR} | Gain error | External 1.6V Reference | | ± 2.3 | | %FSR |
| $\text{GAIN}_{\text{DRIFT}}$ | Gain drift over temperature | External 1.6V Reference | | 68 | | ppm/ $^\circ\text{C}$ |
| GAIN_{ERR} | Gain error | Internal Reference | | ± 3.5 | | %FSR |
| $\text{GAIN}_{\text{DRIFT}}$ | Gain drift over temperature | Internal Reference | | 242 | | ppm/ $^\circ\text{C}$ |
| Transition Noise | | | | 5 | | LSB |

6.6 Electrical Characteristics - DC Specifications (continued)

Typical values are over the operating free-air temperature range, at $T_A = 25^\circ\text{C}$, full temperature range is $T_{\text{MIN}} = -40^\circ\text{C}$ to $T_{\text{MAX}} = 105^\circ\text{C}$, ADC sampling rate = 65 MSPS, 50% clock duty cycle, AVDD = IOVDD = 1.8 V, 1.6 V external reference, and -1-dBFS differential input, unless otherwise noted

| PARAMETER | | TEST CONDITIONS | MIN | TYP | MAX | UNIT |
|---|--|------------------------------------|-------------|-------|------|------------------|
| ADC ANALOG INPUT (AINP/M, BINP/M) | | | | | | |
| FS | Input full scale | Differential | | 3.2 | | V _{pp} |
| V _{CM} | Input common mode voltage | | 0.9 | 0.95 | 1.0 | V |
| R _{IN} | Differential input resistance | F _{IN} = 100 kHz | | 8 | | kΩ |
| C _{IN} | Differential input Capacitance | F _{IN} = 100 kHz | | 7 | | pF |
| V _{OCM} | Output common mode voltage | | | 0.95 | | V |
| BW | Analog Input Bandwidth (-3dB) | | | 900 | | MHz |
| Internal Voltage Reference | | | | | | |
| V _{REF} | Internal reference voltage | | | 1.6 | | V |
| V _{REF} Output Impedance | | | | 8 | | Ω |
| Reference Input Buffer (REFBUF) | | | | | | |
| External reference voltage | | | | 1.2 | | V |
| External voltage reference (VREF) | | | | | | |
| V _{REF} | External voltage reference | | | 1.6 | | V |
| Input Current | | | | 0.3 | | mA |
| Input impedance | | | | 5.3 | | kΩ |
| Clock Input (CLKP/M) | | | | | | |
| Input clock frequency | | | 0.5 | | 65 | MHz |
| V _{ID} | Differential input voltage | | | 1 | 3.6 | V _{pp} |
| V _{CM} | Input common mode voltage | | | 0.9 | | V |
| R _{IN} | Single ended input resistance to common mode | | | 5 | | kΩ |
| C _{IN} | Single ended input capacitance | | | 1.5 | | pF |
| Clock duty cycle | | | 40 | 50 | 60 | % |
| Digital Inputs (RESET, PDN, SCLK, SEN, SDIO) | | | | | | |
| V _{IH} | High level input voltage | | 1.4 | | | V |
| V _{IL} | Low level input voltage | | | | 0.4 | V |
| I _{IH} | High level input current | | | 90 | 150 | μA |
| I _{IL} | Low level input current | | -150 | -90 | | μA |
| C _I | Input capacitance | | | 1.5 | | pF |
| Digital Output (SDOUT) | | | | | | |
| V _{OH} | High level output voltage | I _{LOAD} = -400 μA | IOVDD - 0.1 | IOVDD | | V |
| V _{OL} | Low level output voltage | I _{LOAD} = 400 μA | | | 0.1 | V |
| SLVDS Interface | | | | | | |
| Output data rate | | per differential SLVDS output pair | | | 1000 | Mbps |
| V _{ID} | Differential input voltage | DCLKIN | 200 | 350 | 650 | mV _{pp} |
| V _{CM} | Input common mode voltage | | 1 | 1.2 | 1.3 | V |
| V _{OD} | Differential output voltage | | 500 | 700 | 850 | mV _{pp} |
| V _{CM} | Output common mode voltage | | | 1.0 | | V |

6.7 Electrical Characteristics - AC Specifications

Typical values are over the operating free-air temperature range, at $T_A = 25^\circ\text{C}$, full temperature range is $T_{\text{MIN}} = -40^\circ\text{C}$ to $T_{\text{MAX}} = 105^\circ\text{C}$, ADC sampling rate = 65 MSPS, 50% clock duty cycle, $AV_{\text{DD}} = IOV_{\text{DD}} = 1.8\text{ V}$, 1.6 V external reference, and -1-dBFS differential input, unless otherwise noted

| PARAMETER | | TEST CONDITIONS | MIN | TYP | MAX | UNIT |
|---------------------------|--|---|------|--------|-----|---------|
| ADC3681 - 10 MSPS: | | | | | | |
| NSD | Noise Spectral Density | $f_{\text{IN}} = 1.1\text{ MHz}$, $A_{\text{IN}} = -20\text{ dBFS}$ | | -151.7 | | dBFS/Hz |
| SNR | Signal to noise ratio | $f_{\text{IN}} = 1.1\text{ MHz}$, $A_{\text{IN}} = -20\text{ dBFS}$ | | 84.7 | | dBFS |
| | | $f_{\text{IN}} = 1.1\text{ MHz}$ | | 84.4 | | |
| | | $f_{\text{IN}} = 4.9\text{ MHz}$ | 81.5 | 83.9 | | dBFS |
| | | $f_{\text{IN}} = 9.9\text{ MHz}$ | | 82.8 | | |
| SINAD | Signal to noise and distortion ratio | $f_{\text{IN}} = 1.1\text{ MHz}$ | | 84.4 | | dBFS |
| | | $f_{\text{IN}} = 4.9\text{ MHz}$ | 80.0 | 83.9 | | |
| | | $f_{\text{IN}} = 9.9\text{ MHz}$ | | 82.8 | | |
| ENOB | Effective number of bits | $f_{\text{IN}} = 1.1\text{ MHz}$ | | 13.7 | | bits |
| | | $f_{\text{IN}} = 4.9\text{ MHz}$ | 13.0 | 13.6 | | |
| | | $f_{\text{IN}} = 9.9\text{ MHz}$ | | 13.5 | | |
| THD | Total Harmonic Distortion (First five harmonics) | $f_{\text{IN}} = 1.1\text{ MHz}$ | | 86 | | dBc |
| | | $f_{\text{IN}} = 4.9\text{ MHz}$ | 82 | 86 | | |
| | | $f_{\text{IN}} = 9.9\text{ MHz}$ | | 83 | | |
| SFDR | Spur free dynamic range including second and third harmonic distortion | $f_{\text{IN}} = 1.1\text{ MHz}$ | | 87 | | dBc |
| | | $f_{\text{IN}} = 4.9\text{ MHz}$ | 82 | 86 | | |
| | | $f_{\text{IN}} = 9.9\text{ MHz}$ | | 83 | | |
| Non HD2,3 | Spur free dynamic range (excluding HD2 and HD3) | $f_{\text{IN}} = 1.1\text{ MHz}$ | | 100 | | dBFS |
| | | $f_{\text{IN}} = 4.9\text{ MHz}$ | 92 | 98 | | |
| | | $f_{\text{IN}} = 9.9\text{ MHz}$ | | 99 | | |
| IMD3 | Two tone inter-modulation distortion | $f_1 = 3\text{ MHz}$, $f_2 = 4\text{ MHz}$, $A_{\text{IN}} = -7\text{ dBFS/tone}$ | | 89 | | dBc |

6.7 Electrical Characteristics - AC Specifications (continued)

Typical values are over the operating free-air temperature range, at $T_A = 25^\circ\text{C}$, full temperature range is $T_{\text{MIN}} = -40^\circ\text{C}$ to $T_{\text{MAX}} = 105^\circ\text{C}$, ADC sampling rate = 65 MSPS, 50% clock duty cycle, AVDD = IOVDD = 1.8 V, 1.6 V external reference, and -1-dBFS differential input, unless otherwise noted

| PARAMETER | | TEST CONDITIONS | MIN | TYP | MAX | UNIT |
|---------------------------|--|--|------|--------|-----|---------|
| ADC3682 - 25 MSPS: | | | | | | |
| NSD | Noise Spectral Density | $f_{\text{IN}} = 1.1 \text{ MHz}$, $A_{\text{IN}} = -20 \text{ dBFS}$ | | -156.1 | | dBFS/Hz |
| SNR | Signal to noise ratio | $f_{\text{IN}} = 1.1 \text{ MHz}$, $A_{\text{IN}} = -20 \text{ dBFS}$ | | 85.1 | | dBFS |
| | | $f_{\text{IN}} = 1.1 \text{ MHz}$ | | 84.7 | | |
| | | $f_{\text{IN}} = 5 \text{ MHz}$ | 81.5 | 84.5 | | |
| | | $f_{\text{IN}} = 10 \text{ MHz}$ | | 84.0 | | |
| | | $f_{\text{IN}} = 20 \text{ MHz}$ | | 82.3 | | |
| SINAD | Signal to noise and distortion ratio | $f_{\text{IN}} = 1.1 \text{ MHz}$ | | 84.7 | | dBFS |
| | | $f_{\text{IN}} = 5 \text{ MHz}$ | 80.0 | 84.5 | | |
| | | $f_{\text{IN}} = 10 \text{ MHz}$ | | 84.0 | | |
| | | $f_{\text{IN}} = 20 \text{ MHz}$ | | 82.3 | | |
| ENOB | Effective number of bits | $f_{\text{IN}} = 1.1 \text{ MHz}$ | | 13.8 | | bits |
| | | $f_{\text{IN}} = 5 \text{ MHz}$ | 13.0 | 13.7 | | |
| | | $f_{\text{IN}} = 10 \text{ MHz}$ | | 13.7 | | |
| | | $f_{\text{IN}} = 20 \text{ MHz}$ | | 13.4 | | |
| THD | Total Harmonic Distortion (First five harmonics) | $f_{\text{IN}} = 1.1 \text{ MHz}$ | | 85 | | dBc |
| | | $f_{\text{IN}} = 5 \text{ MHz}$ | 82 | 89 | | |
| | | $f_{\text{IN}} = 10 \text{ MHz}$ | | 88 | | |
| | | $f_{\text{IN}} = 20 \text{ MHz}$ | | 83 | | |
| SFDR | Spur free dynamic range including second and third harmonic distortion | $f_{\text{IN}} = 1.1 \text{ MHz}$ | | 86 | | dBc |
| | | $f_{\text{IN}} = 5 \text{ MHz}$ | 82 | 90 | | |
| | | $f_{\text{IN}} = 10 \text{ MHz}$ | | 89 | | |
| | | $f_{\text{IN}} = 20 \text{ MHz}$ | | 83 | | |
| Non HD2,3 | Spur free dynamic range (excluding HD2 and HD3) | $f_{\text{IN}} = 1.1 \text{ MHz}$ | | 102 | | dBFS |
| | | $f_{\text{IN}} = 5 \text{ MHz}$ | 92 | 101 | | |
| | | $f_{\text{IN}} = 10 \text{ MHz}$ | | 103 | | |
| | | $f_{\text{IN}} = 20 \text{ MHz}$ | | 100 | | |
| IMD3 | Two tone inter-modulation distortion | $f_1 = 3 \text{ MHz}$, $f_2 = 4 \text{ MHz}$, $A_{\text{IN}} = -7 \text{ dBFS/tone}$ | | 84 | | dBc |
| | | $f_1 = 10 \text{ MHz}$, $f_2 = 12 \text{ MHz}$, $A_{\text{IN}} = -7 \text{ dBFS/tone}$ | | 87 | | |

6.7 Electrical Characteristics - AC Specifications (continued)

Typical values are over the operating free-air temperature range, at $T_A = 25^\circ\text{C}$, full temperature range is $T_{\text{MIN}} = -40^\circ\text{C}$ to $T_{\text{MAX}} = 105^\circ\text{C}$, ADC sampling rate = 65 MSPS, 50% clock duty cycle, $\text{AVDD} = \text{IOVDD} = 1.8\text{ V}$, 1.6 V external reference, and -1-dBFS differential input, unless otherwise noted

| PARAMETER | | TEST CONDITIONS | MIN | TYP | MAX | UNIT |
|---------------------------|--|--|------|------|-----|---------|
| ADC3683 - 65 MSPS: | | | | | | |
| NSD | Noise Spectral Density | $f_{\text{IN}} = 1.1\text{ MHz}$, $A_{\text{IN}} = -20\text{ dBFS}$ | | -160 | | dBFS/Hz |
| SNR | Signal to noise ratio | $f_{\text{IN}} = 1.1\text{ MHz}$, $A_{\text{IN}} = -20\text{ dBFS}$ | | 84.8 | | dBFS |
| | | $f_{\text{IN}} = 1.1\text{ MHz}$ | | 84.2 | | |
| | | $f_{\text{IN}} = 5\text{ MHz}$ | 81.0 | 83.8 | | |
| | | $f_{\text{IN}} = 10\text{ MHz}$ | | 83.6 | | |
| | | $f_{\text{IN}} = 20\text{ MHz}$ | | 82.6 | | |
| | | $f_{\text{IN}} = 40\text{ MHz}$ | | 81.0 | | |
| | | $f_{\text{IN}} = 70\text{ MHz}$ | | 77.3 | | |
| SINAD | Signal to noise and distortion ratio | $f_{\text{IN}} = 1.1\text{ MHz}$ | | 80.0 | | dBFS |
| | | $f_{\text{IN}} = 5\text{ MHz}$ | | 82.7 | | |
| | | $f_{\text{IN}} = 10\text{ MHz}$ | | 82.7 | | |
| | | $f_{\text{IN}} = 20\text{ MHz}$ | | 80.2 | | |
| | | $f_{\text{IN}} = 40\text{ MHz}$ | | 78.7 | | |
| | | $f_{\text{IN}} = 70\text{ MHz}$ | | 75.8 | | |
| ENOB | Effective number of bits | $f_{\text{IN}} = 1.1\text{ MHz}$ | | 13.7 | | bits |
| | | $f_{\text{IN}} = 5\text{ MHz}$ | | 13.6 | | |
| | | $f_{\text{IN}} = 10\text{ MHz}$ | | 13.6 | | |
| | | $f_{\text{IN}} = 20\text{ MHz}$ | | 13.4 | | |
| | | $f_{\text{IN}} = 40\text{ MHz}$ | | 13.2 | | |
| | | $f_{\text{IN}} = 70\text{ MHz}$ | | 12.5 | | |
| THD | Total Harmonic Distortion (First five harmonics) | $f_{\text{IN}} = 1.1\text{ MHz}$ | | 81 | | dBc |
| | | $f_{\text{IN}} = 5\text{ MHz}$ | 80.5 | 88 | | |
| | | $f_{\text{IN}} = 10\text{ MHz}$ | | 89 | | |
| | | $f_{\text{IN}} = 20\text{ MHz}$ | | 83 | | |
| | | $f_{\text{IN}} = 40\text{ MHz}$ | | 82 | | |
| | | $f_{\text{IN}} = 70\text{ MHz}$ | | 80 | | |
| SFDR | Spur free dynamic range including second and third harmonic distortion | $f_{\text{IN}} = 1.1\text{ MHz}$ | | 82 | | dBc |
| | | $f_{\text{IN}} = 5\text{ MHz}$ | 81.5 | 89 | | |
| | | $f_{\text{IN}} = 10\text{ MHz}$ | | 92 | | |
| | | $f_{\text{IN}} = 20\text{ MHz}$ | | 85 | | |
| | | $f_{\text{IN}} = 40\text{ MHz}$ | | 84 | | |
| | | $f_{\text{IN}} = 70\text{ MHz}$ | | 82 | | |
| Non HD2,3 | Spur free dynamic range (excluding HD2 and HD3) | $f_{\text{IN}} = 1.1\text{ MHz}$ | | 101 | | dBFS |
| | | $f_{\text{IN}} = 5\text{ MHz}$ | 90 | 101 | | |
| | | $f_{\text{IN}} = 10\text{ MHz}$ | | 100 | | |
| | | $f_{\text{IN}} = 20\text{ MHz}$ | | 97 | | |
| | | $f_{\text{IN}} = 40\text{ MHz}$ | | 91 | | |
| | | $f_{\text{IN}} = 70\text{ MHz}$ | | 88 | | |
| IMD3 | Two tone inter-modulation distortion | $f_1 = 10\text{ MHz}$, $f_2 = 12\text{ MHz}$, $A_{\text{IN}} = -7\text{ dBFS/ tone}$ | | 83 | | dBc |
| | | $f_1 = 40\text{ MHz}$, $f_2 = 45\text{ MHz}$, $A_{\text{IN}} = -7\text{ dBFS/ tone}$ | | 78 | | |

6.8 Timing Requirements

Typical values are over the operating free-air temperature range, at $T_A = 25^\circ\text{C}$, full temperature range is $T_{\text{MIN}} = -40^\circ\text{C}$ to $T_{\text{MAX}} = 105^\circ\text{C}$, ADC sampling rate = 65 MSPS, 50% clock duty cycle, $AV_{\text{DD}} = IOV_{\text{DD}} = 1.8\text{ V}$, 1.6 V external reference, and -1-dBFS differential input, unless otherwise noted

| PARAMETER | | TEST CONDITIONS | MIN | NOM | MAX | UNIT |
|----------------------------------|---|--|-----|-------------------|----------|-----------------------|
| ADC Timing Specifications | | | | | | |
| t_{AD} | Aperture Delay | | | 0.85 | | ns |
| t_{A} | Aperture Jitter | Square wave clock with fast edges | | 180 | | fs |
| t_{J} | Jitter on DCLKIN | | | | ± 50 | ps |
| t_{ACQ} | Signal acquisition period, referenced to sampling clock falling edge | $F_S = 10\text{ Msps}$ | | $-T_S/2$ | | Sampling Clock Period |
| | | $F_S = 25\text{ Msps}$ | | $-T_S/2$ | | |
| | | $F_S = 65\text{ Msps}$ | | $-T_S/4$ | | |
| t_{CONV} | Signal conversion period, referenced to sampling clock falling edge | $F_S = 10\text{ Msps}$ | | $+T_S \times 1/5$ | | Sampling Clock Period |
| | | $F_S = 25\text{ Msps}$ | | $+T_S \times 3/8$ | | |
| | | $F_S = 65\text{ Msps}$ | | $+T_S \times 5/8$ | | |
| Wake up time | Time to valid data after coming out of power down. Internal reference. | Bandgap reference enabled, single ended clock | | | 17.6 | us |
| | | Bandgap reference enabled, differential clock | | | 12.9 | |
| | | Bandgap reference disabled, single ended clock | | | 2.2 | ms |
| | | Bandgap reference disabled, differential clock | | | 2.2 | |
| | Time to valid data after coming out of power down. External 1.6V reference. | Bandgap reference enabled, single ended clock | | | 15.9 | us |
| | | Bandgap reference enabled, differential clock | | | 12.9 | |
| | | Bandgap reference disabled, single ended clock | | | 1.7 | ms |
| | | Bandgap reference disabled, differential clock | | | 1.7 | |
| $t_{\text{S,SYNC}}$ | Setup time for SYNC input signal | Referenced to sampling clock rising edge | 500 | | | ps |
| $t_{\text{H,SYNC}}$ | Hold time for SYNC input signal | | 600 | | | |
| ADC Latency | Signal input to data output | SLVDS 2-wire | | 2 | | ADC clock cycles |
| | | SLVDS 1-wire | | 1 | | |
| | | SLVDS 1/2-wire | | 1 | | |
| Add Latency | Real decimation by 2 | | | 21 | | Output clock cycles |
| | Complex decimation by 2 | | | 22 | | |
| | Real or complex decimation by 4, 8, 16, 32 | | | 23 | | |

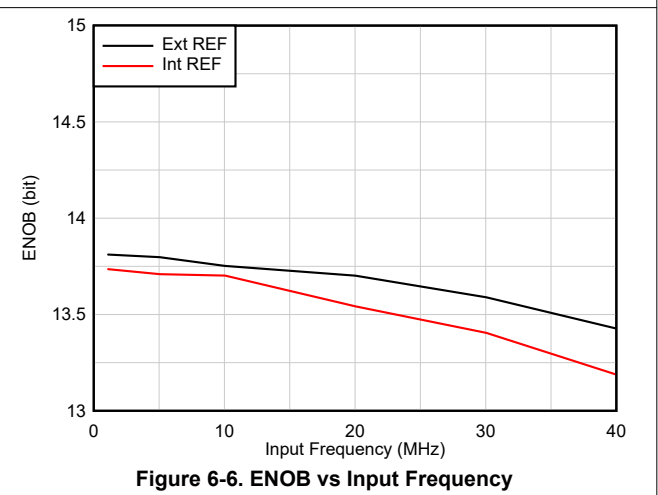
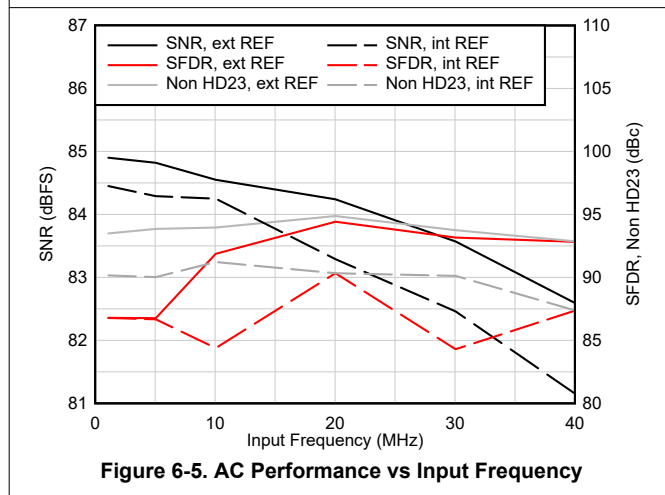
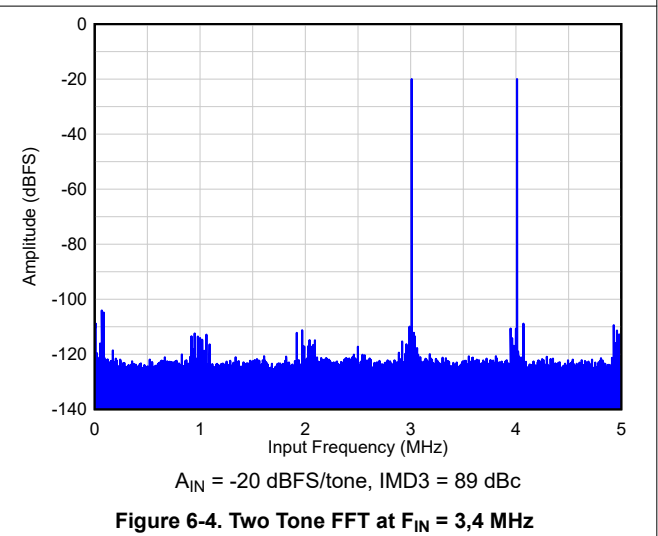
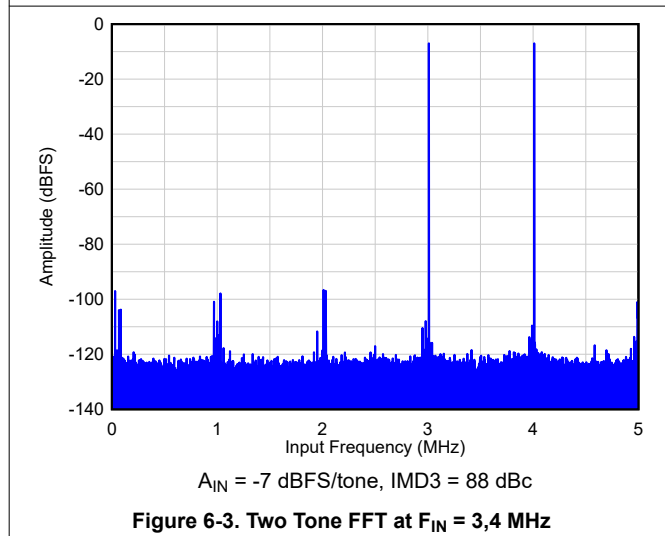
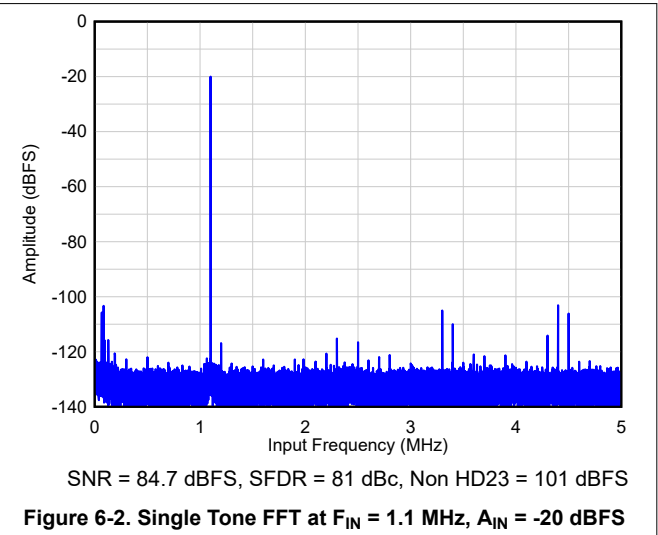
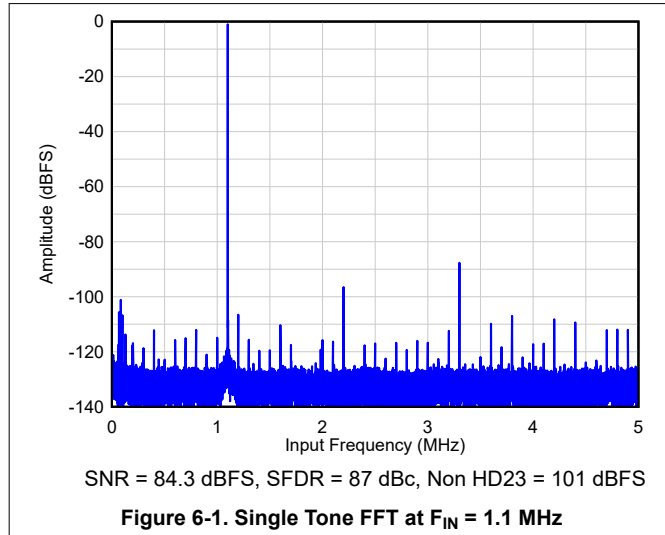
6.8 Timing Requirements (continued)

Typical values are over the operating free-air temperature range, at $T_A = 25^\circ\text{C}$, full temperature range is $T_{\text{MIN}} = -40^\circ\text{C}$ to $T_{\text{MAX}} = 105^\circ\text{C}$, ADC sampling rate = 65 MSPS, 50% clock duty cycle, $\text{AVDD} = \text{IOVDD} = 1.8\text{ V}$, 1.6 V external reference, and -1-dBFS differential input, unless otherwise noted

| PARAMETER | | TEST CONDITIONS | MIN | NOM | MAX | UNIT |
|---|--|--|---|---|---|------|
| Interface Timing: Serial LVDS Interface | | | | | | |
| t_{PD} | Propagation delay: sampling clock falling edge to DCLK rising edge | Delay between sampling clock falling edge to DCLKIN falling edge < 2.5ns. $T_{\text{DCLK}} = \text{DCLK period}$ $t_{\text{CDCLK}} = \text{Sampling clock falling edge to DCLKIN falling edge}$ | $2 +$ T_{DCLK} $+$ t_{CDCLK} | $3 +$ T_{DCLK} $+$ t_{CDCLK} | $4 +$ T_{DCLK} $+$ t_{CDCLK} | ns |
| | | Delay between sampling clock falling edge to DCLKIN falling edge $\geq 2.5\text{ns}$. $T_{\text{DCLK}} = \text{DCLK period}$ $t_{\text{CDCLK}} = \text{Sampling clock falling edge to DCLKIN falling edge}$ | $2 +$ t_{CDCLK} | $3 +$ t_{CDCLK} | $4 +$ t_{CDCLK} | ns |
| t_{CD} | DCLK rising edge to output data delay, 2-wire SLVDS | Fout = 10 MSPS, DA/B0,1 = 90 MBPS | 0 | 0.1 | | ns |
| | | Fout = 25 MSPS, DA/B0,1 = 225 MBPS | 0 | 0.1 | | |
| | | Fout = 65 MSPS, DA/B0,1 = 585 MBPS | 0 | 0.1 | | |
| | DCLK rising edge to output data delay, 1-wire SLVDS | Fout = 10 MSPS, DA/B0 = 180 MBPS | 0.1 | 0.2 | | |
| | | Fout = 25 MSPS, DA/B0 = 450 MBPS | 0 | 0.1 | | |
| | | Fout = 55 MSPS, DA/B0 = 990 MBPS | -0.4 | 0.1 | | |
| DCLK rising edge to output data delay, 1/2-wire SLVDS | Fout = 5 MSPS, DA0 = 180 MBPS | 0 | 0.1 | | | |
| | Fout = 10 MSPS, DA0 = 360 MBPS | 0 | 0.1 | | | |
| | Fout = 25 MSPS, DA0 = 720 MBPS | 0 | 0.1 | | | |
| t_{DV} | Data valid, 2-wire SLVDS | Fout = 10 MSPS, DA/B0,1 = 90 MBPS | 10.5 | 10.7 | | ns |
| | | Fout = 25 MSPS, DA/B0,1 = 225 MBPS | 4.0 | 4.1 | | |
| | | Fout = 65 MSPS, DA/B0,1 = 585 MBPS | 1.3 | 1.4 | | |
| | Data valid, 1-wire SLVDS | Fout = 10 MSPS, DA/B0 = 180 MBPS | 4.7 | 4.8 | | |
| | | Fout = 25 MSPS, DA/B0 = 450 MBPS | 1.8 | 1.9 | | |
| | | Fout = 55 MSPS, DA/B0 = 990 MBPS | 0.5 | 0.6 | | |
| | Data valid, 1/2-wire SLVDS | Fout = 5 MSPS, DA0 = 180 MBPS | 4.7 | 4.8 | | |
| | | Fout = 10 MSPS, DA0 = 360 MBPS | 2.4 | 2.5 | | |
| | | Fout = 25 MSPS, DA0 = 900 MBPS | 0.6 | 0.7 | | |
| SERIAL PROGRAMMING INTERFACE (SCLK, SEN, SDIO) - Input | | | | | | |
| $f_{\text{CLK(SCLK)}}$ | Serial clock frequency | | | 20 | | MHz |
| $t_{\text{SU(SEN)}}$ | SEN to rising edge of SCLK | | 10 | | | ns |
| $t_{\text{H(SEN)}}$ | SEN from rising edge of SCLK | | 9 | | | ns |
| $t_{\text{SU(SDIO)}}$ | SDIO to rising edge of SCLK | | 17 | | | ns |
| $t_{\text{H(SDIO)}}$ | SDIO from rising edge of SCLK | | 9 | | | ns |
| SERIAL PROGRAMMING INTERFACE (SDIO) - Output | | | | | | |
| $t_{\text{(OZD)}}$ | SDIO tri-state to driven | | 3.9 | | 10.8 | ns |
| $t_{\text{(ODZ)}}$ | SDIO data to tri-state | | 3.4 | | 14 | ns |
| $t_{\text{(OD)}}$ | SDIO valid from falling edge of SCLK | | 3.9 | | 10.8 | ns |

6.9 Typical Characteristics - ADC3681

Typical values at $T_A = 25\text{ }^\circ\text{C}$, ADC sampling rate = 10 MSPS, $A_{IN} = -1\text{ dBFS}$ differential input, $AVDD = IOVDD = 1.8\text{ V}$, external 1.6 V voltage reference, unless otherwise noted.



6.9 Typical Characteristics - ADC3681 (continued)

Typical values at $T_A = 25^\circ\text{C}$, ADC sampling rate = 10 MSPS, $A_{IN} = -1$ dBFS differential input, $AVDD = IOVDD = 1.8$ V, external 1.6 V voltage reference, unless otherwise noted.

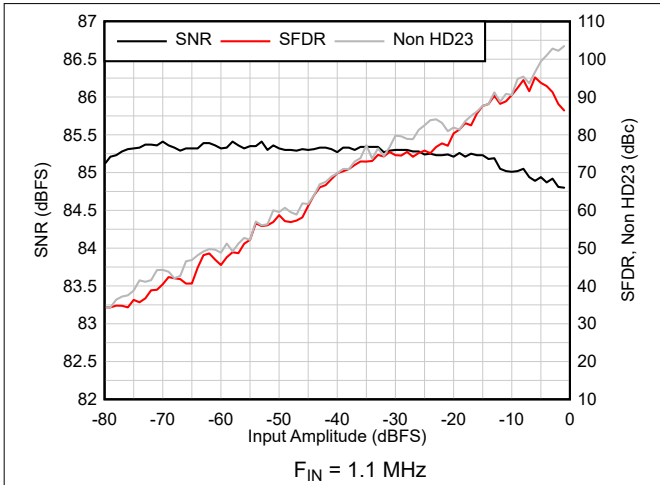


Figure 6-7. AC Performance vs Input Amplitude

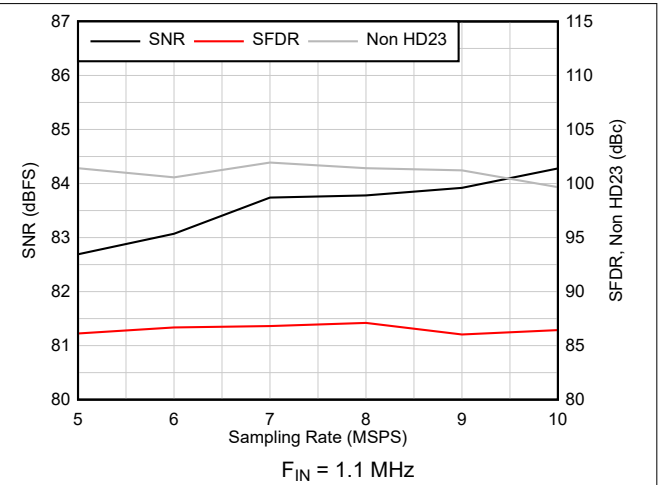


Figure 6-8. AC Performance vs Sampling Rate

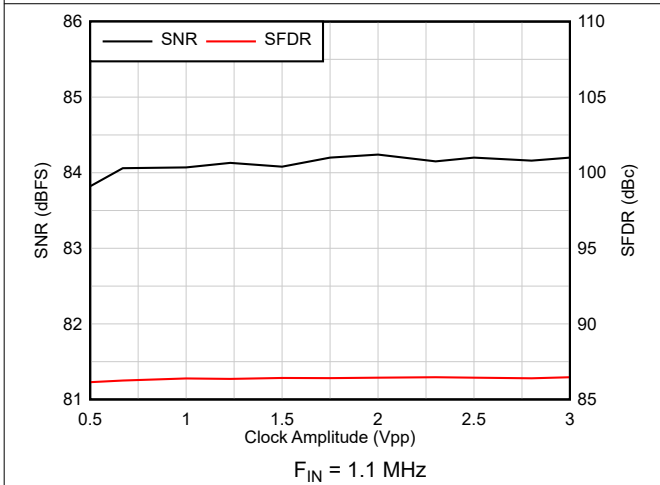


Figure 6-9. AC Performance vs Clock Amplitude

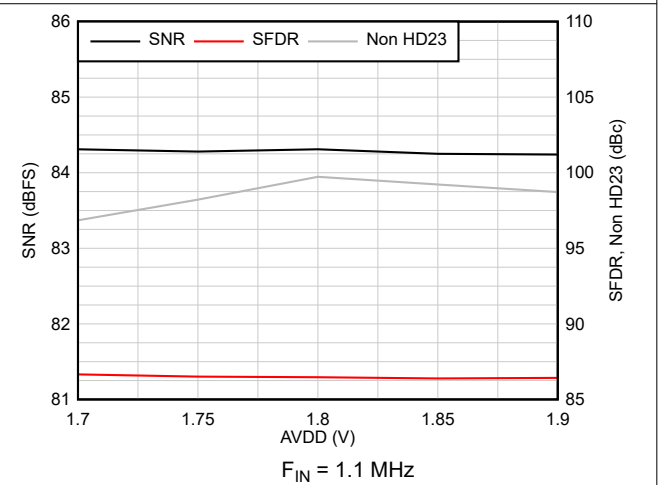


Figure 6-10. AC Performance vs AVDD

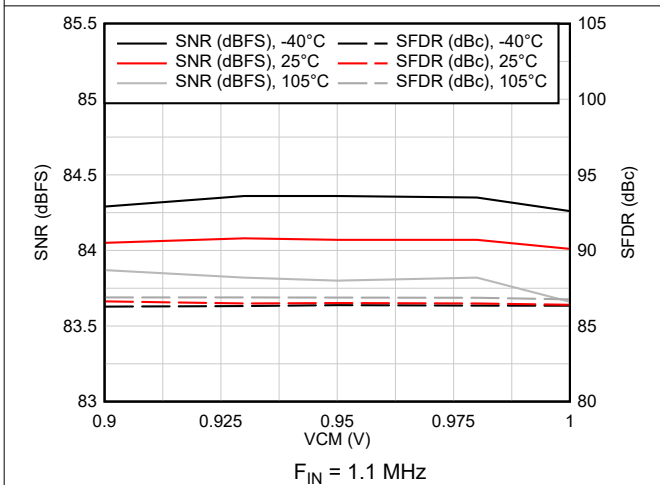


Figure 6-11. AC Performance vs VCM vs Temperature

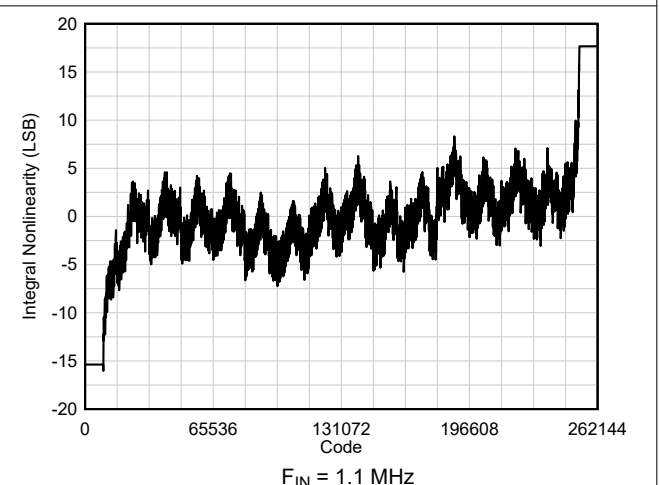
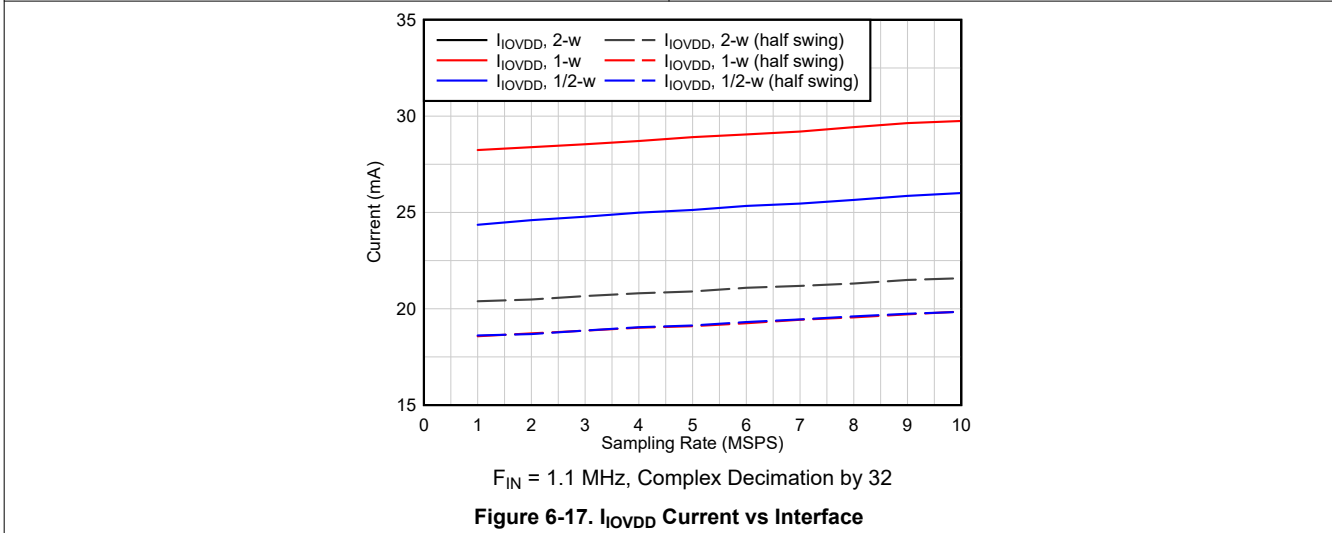
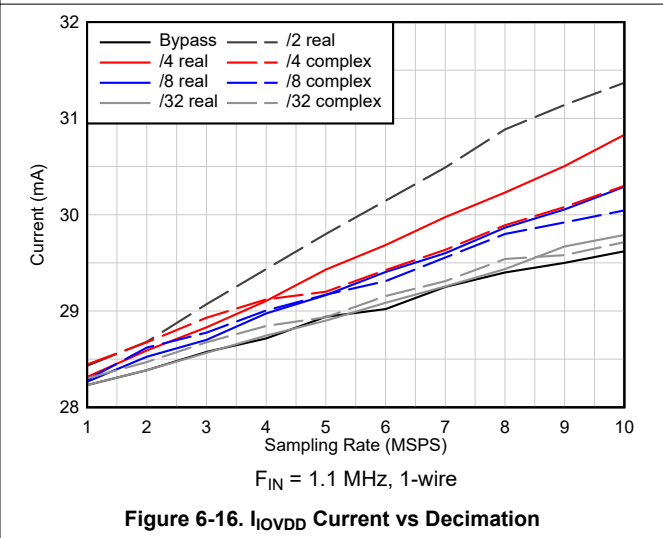
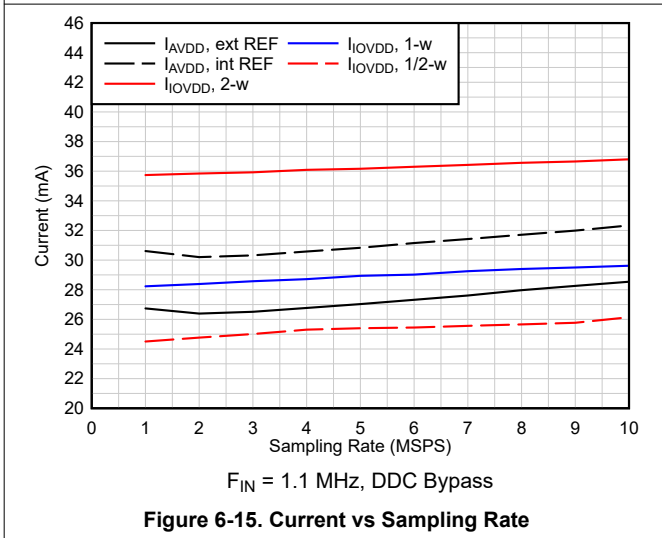
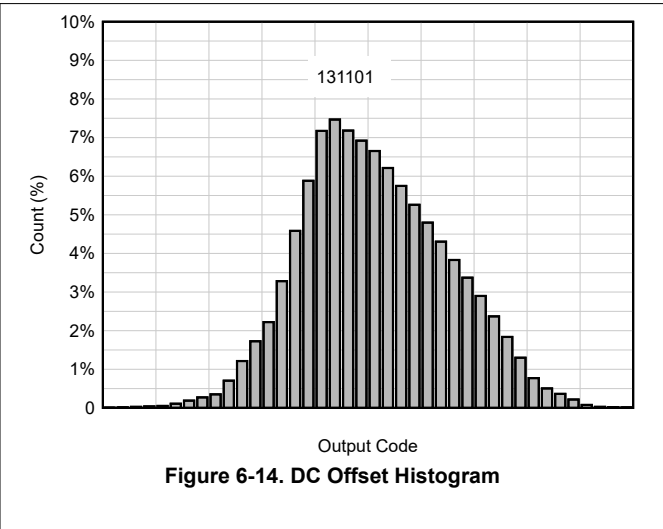
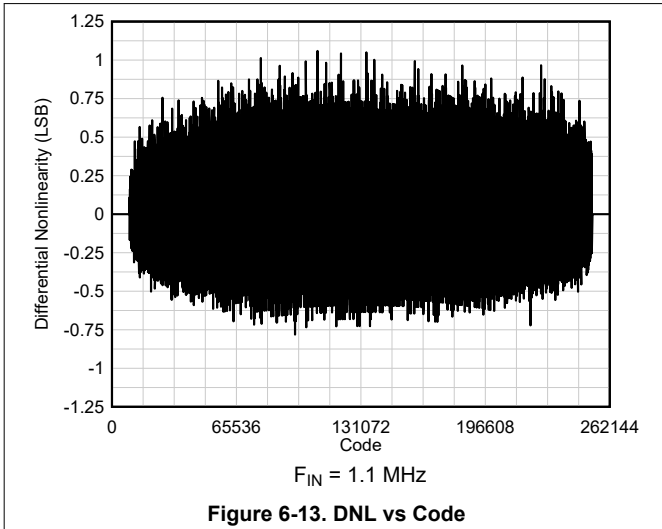


Figure 6-12. INL vs Code

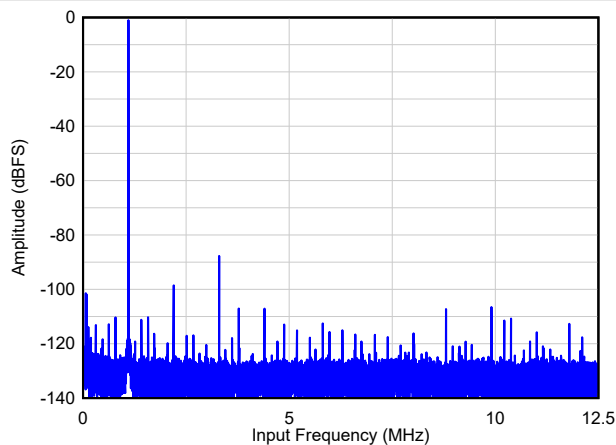
6.9 Typical Characteristics - ADC3681 (continued)

Typical values at $T_A = 25\text{ }^\circ\text{C}$, ADC sampling rate = 10 MSPS, $A_{IN} = -1\text{ dBFS}$ differential input, $AVDD = IOVDD = 1.8\text{ V}$, external 1.6 V voltage reference, unless otherwise noted.



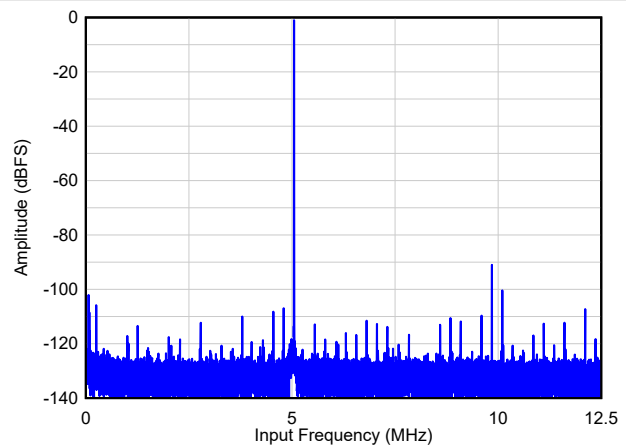
6.10 Typical Characteristics - ADC3682

Typical values at $T_A = 25\text{ }^\circ\text{C}$, ADC sampling rate = 25 MSPS, $A_{IN} = -1\text{ dBFS}$ differential input, $AVDD = IOVDD = 1.8\text{ V}$, external 1.6 V voltage reference, unless otherwise noted.



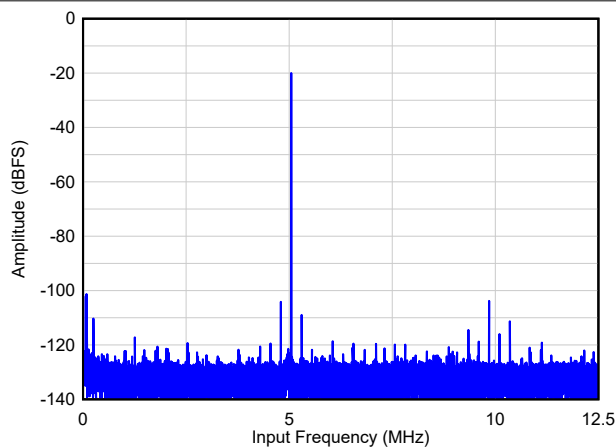
SNR = 84.5 dBFS, SFDR = 87 dBc, Non HD23 = 101 dBFS

Figure 6-18. Single Tone FFT at $F_{IN} = 1.1\text{ MHz}$



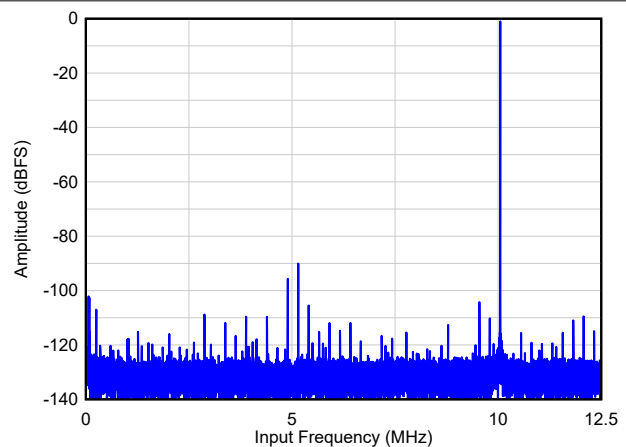
SNR = 84.2 dBFS, SFDR = 90 dBc, Non HD23 = 101 dBFS

Figure 6-19. Single Tone FFT at $F_{IN} = 5\text{ MHz}$



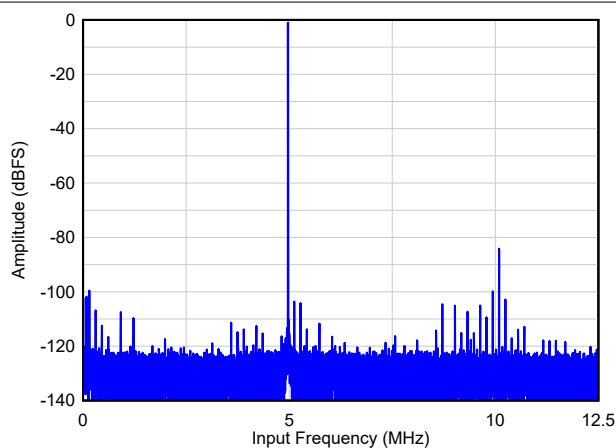
SNR = 84.8 dBFS, SFDR = 81 dBc, Non HD23 = 101 dBFS

Figure 6-20. Single Tone FFT at $F_{IN} = 5\text{ MHz}$, $A_{IN} = -20\text{ dBFS}$



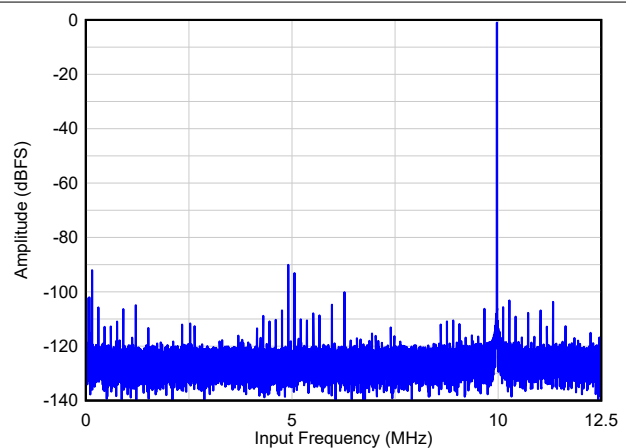
SNR = 83.8 dBFS, SFDR = 89 dBc, Non HD23 = 101 dBFS

Figure 6-21. Single Tone FFT at $F_{IN} = 10\text{ MHz}$



SNR = 81.8 dBFS, SFDR = 83 dBc, Non HD23 = 99 dBFS

Figure 6-22. Single Tone FFT at $F_{IN} = 20\text{ MHz}$

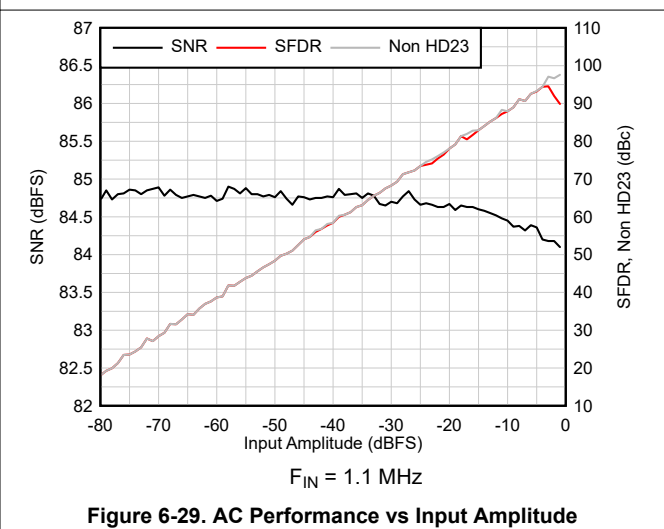
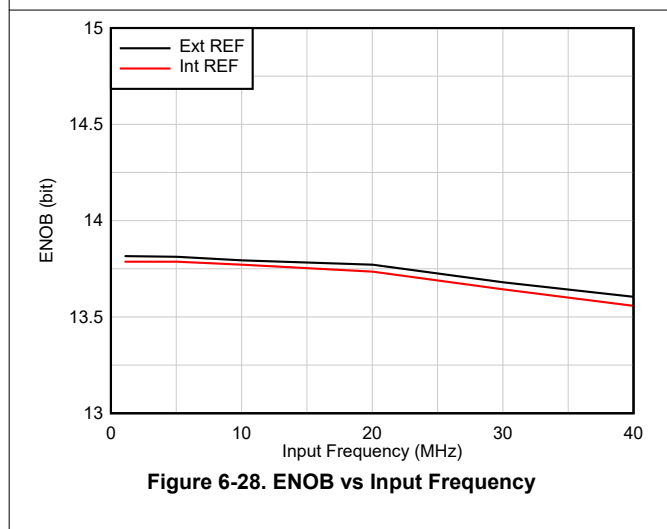
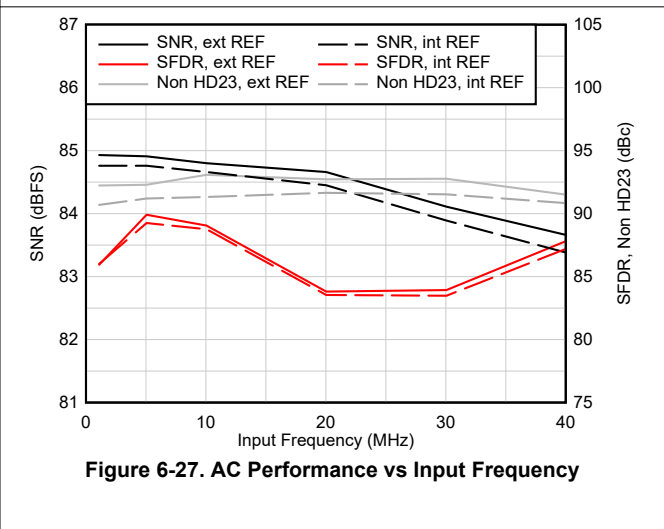
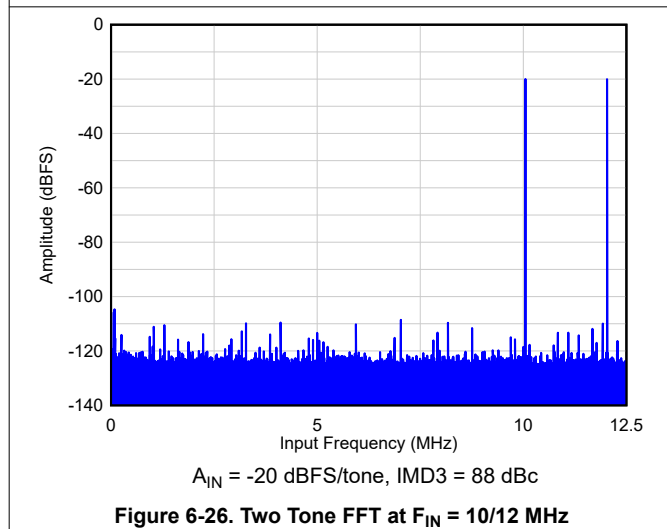
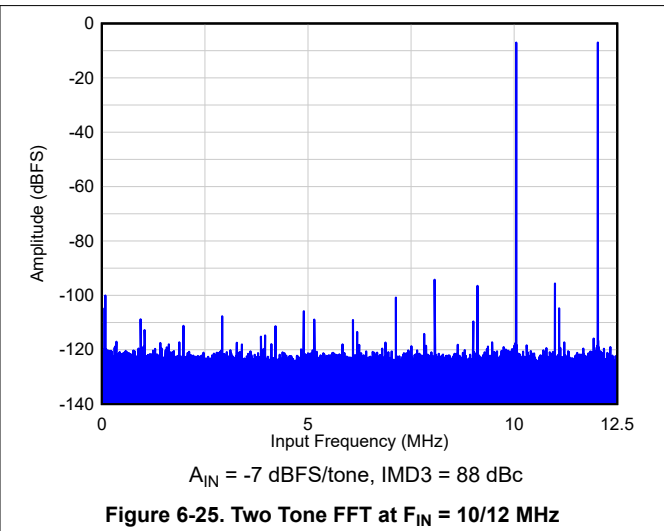
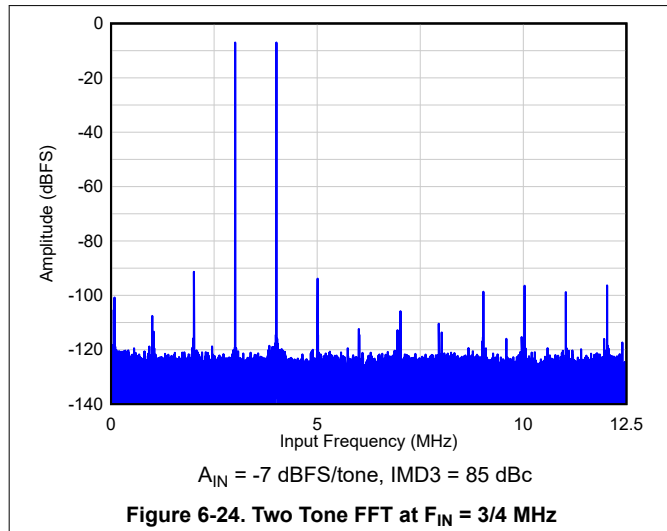


SNR = 78.7 dBFS, SFDR = 89 dBc, Non HD23 = 92 dBFS

Figure 6-23. Single Tone FFT at $F_{IN} = 40\text{ MHz}$

6.10 Typical Characteristics - ADC3682 (continued)

Typical values at $T_A = 25\text{ }^\circ\text{C}$, ADC sampling rate = 25 MSPS, $A_{IN} = -1\text{ dBFS}$ differential input, $AVDD = IOVDD = 1.8\text{ V}$, external 1.6 V voltage reference, unless otherwise noted.



6.10 Typical Characteristics - ADC3682 (continued)

Typical values at $T_A = 25\text{ }^\circ\text{C}$, ADC sampling rate = 25 MSPS, $A_{IN} = -1\text{ dBFS}$ differential input, $AVDD = IOVDD = 1.8\text{ V}$, external 1.6 V voltage reference, unless otherwise noted.

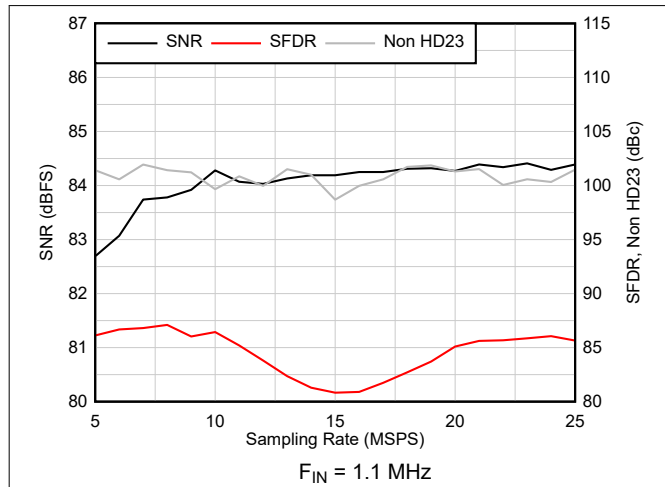


Figure 6-30. AC Performance vs Sampling Rate

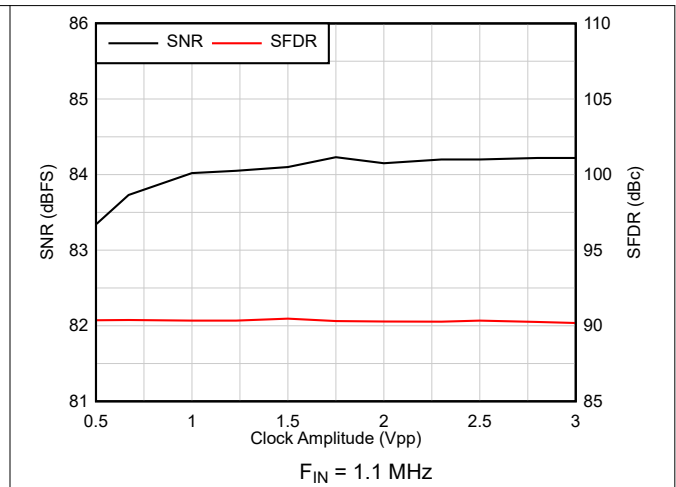


Figure 6-31. AC Performance vs Clock Amplitude

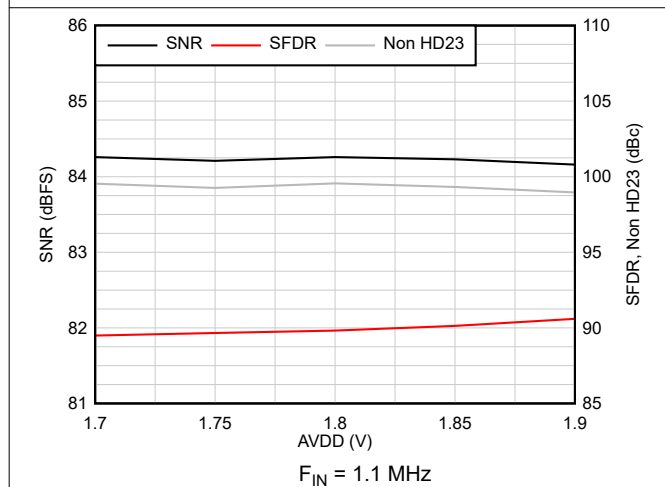


Figure 6-32. AC Performance vs AVDD

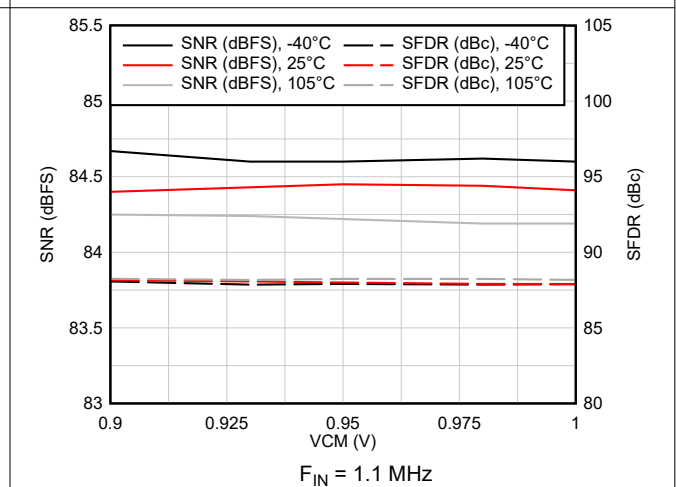


Figure 6-33. AC Performance vs VCM vs Temperature

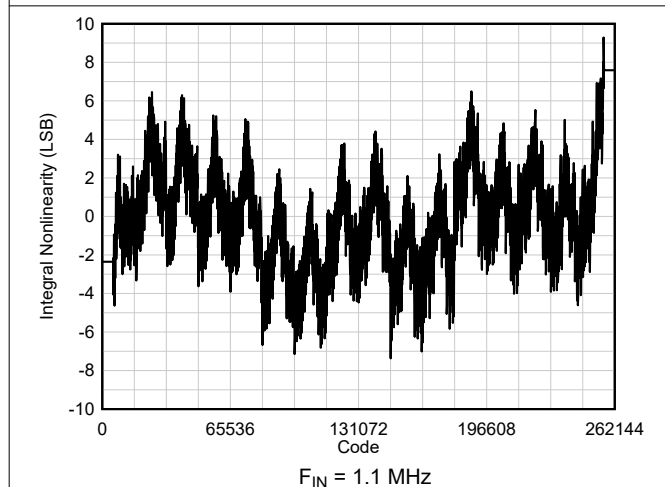


Figure 6-34. INL vs Code

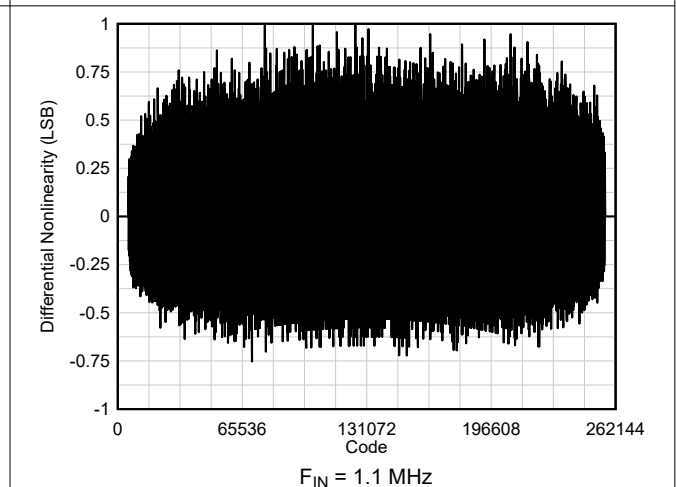


Figure 6-35. DNL vs Code

6.10 Typical Characteristics - ADC3682 (continued)

Typical values at $T_A = 25\text{ }^\circ\text{C}$, ADC sampling rate = 25 MSPS, $A_{IN} = -1\text{ dBFS}$ differential input, $AVDD = IOVDD = 1.8\text{ V}$, external 1.6 V voltage reference, unless otherwise noted.

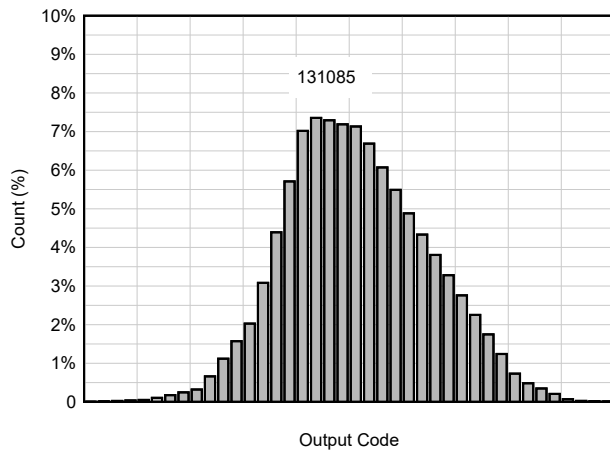


Figure 6-36. DC Offset Histogram

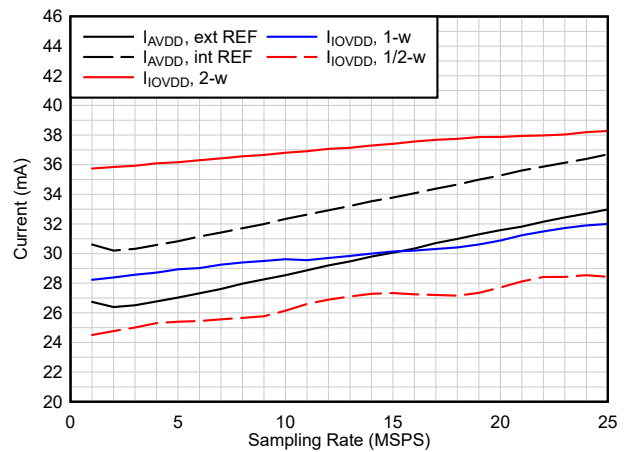


Figure 6-37. Current vs Sampling Rate
 $F_{IN} = 1.1\text{ MHz}$, DDC Bypass

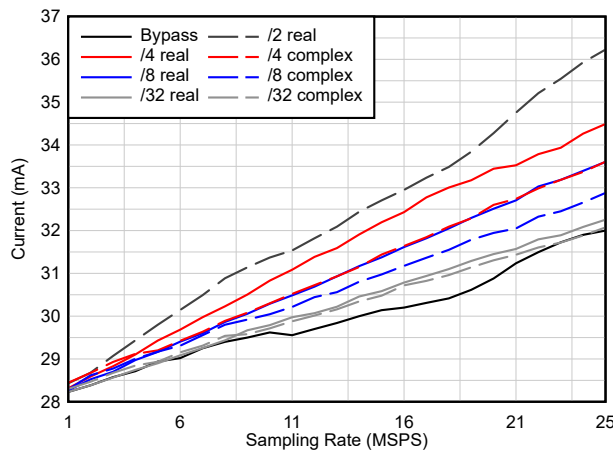


Figure 6-38. I_{IOVDD} Current vs Decimation
 $F_{IN} = 1.1\text{ MHz}$, 1-wire

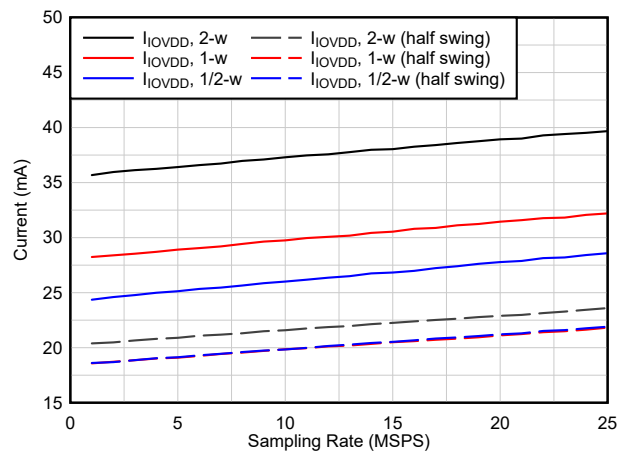
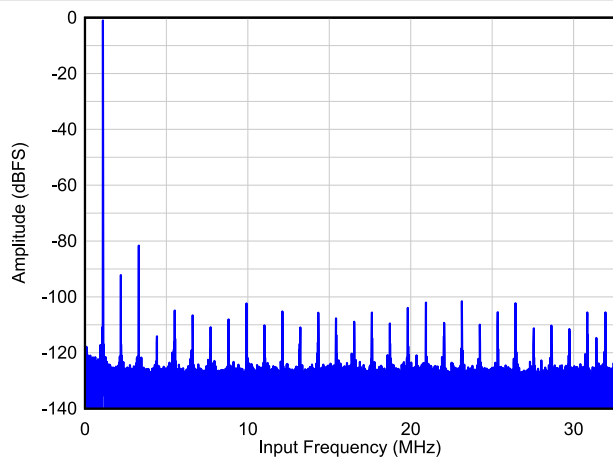


Figure 6-39. I_{IOVDD} Current vs Interface
 $F_{IN} = 1.1\text{ MHz}$, Complex Decimation by 32

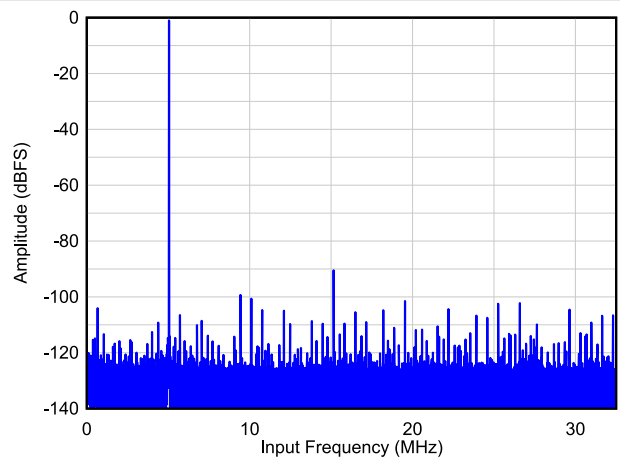
6.11 Typical Characteristics - ADC3683

Typical values at $T_A = 25\text{ }^\circ\text{C}$, ADC sampling rate = 65 MSPS, $A_{IN} = -1\text{ dBFS}$ differential input, $AVDD = IOVDD = 1.8\text{ V}$, external 1.6 V voltage reference, unless otherwise noted.



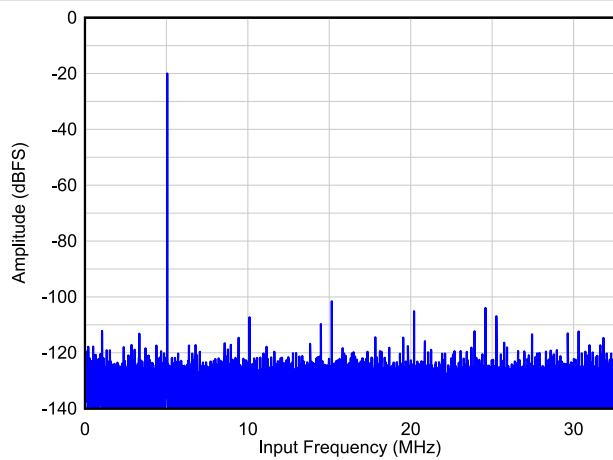
SNR = 84.2 dBFS, SFDR = 81 dBc, Non HD23 = 101 dBFS

Figure 6-40. Single Tone FFT at $F_{IN} = 1\text{ MHz}$



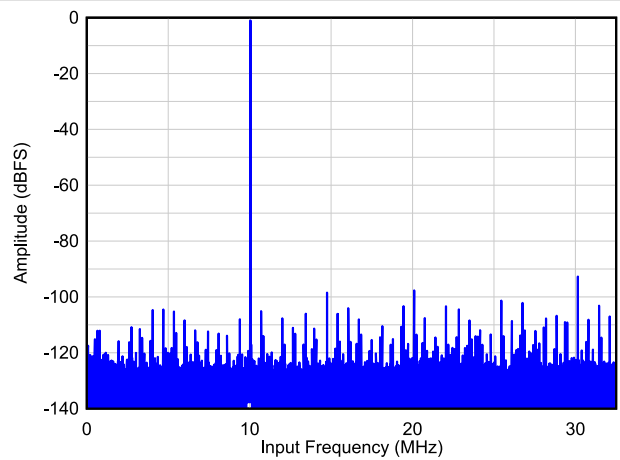
SNR = 83.8 dBFS, SFDR = 89 dBc, Non HD23 = 99 dBFS

Figure 6-41. Single Tone FFT at $F_{IN} = 5\text{ MHz}$



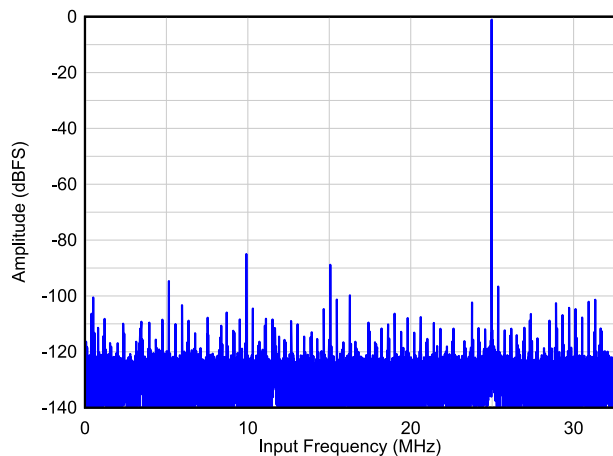
SNR = 84.8 dBFS, SFDR = 81 dBc, Non HD23 = 103 dBFS

Figure 6-42. Single Tone FFT at $F_{IN} = 5\text{ MHz}$, $A_{IN} = -20\text{ dBFS}$



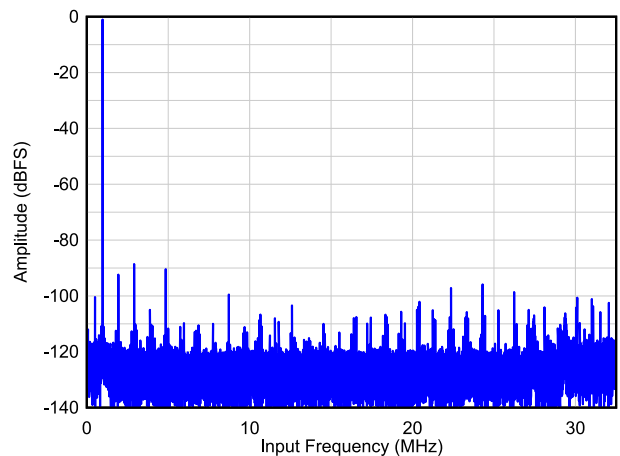
SNR = 83.8 dBFS, SFDR = 92 dBc, Non HD23 = 98 dBFS

Figure 6-43. Single Tone FFT at $F_{IN} = 10\text{ MHz}$



SNR = 81.1 dBFS, SFDR = 84 dBc, Non HD23 = 95 dBFS

Figure 6-44. Single Tone FFT at $F_{IN} = 40\text{ MHz}$

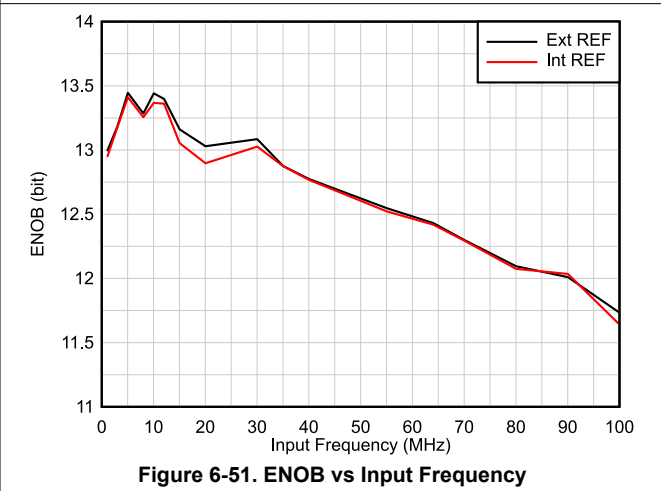
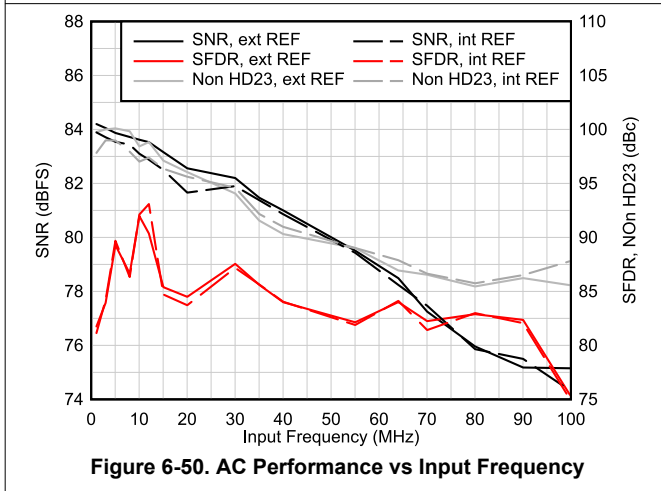
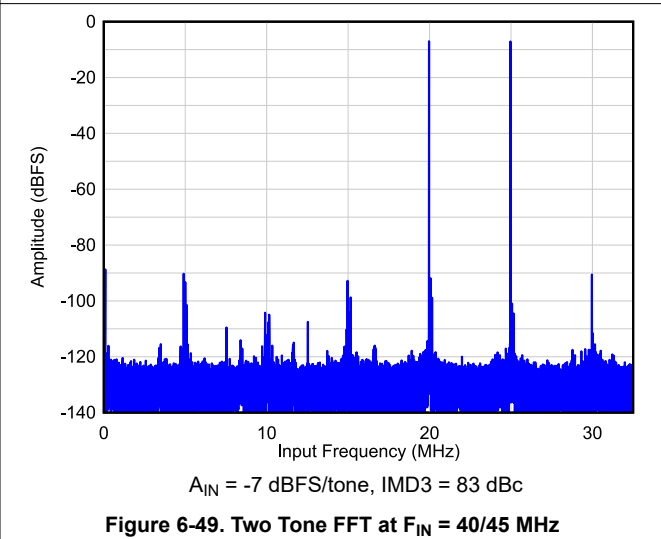
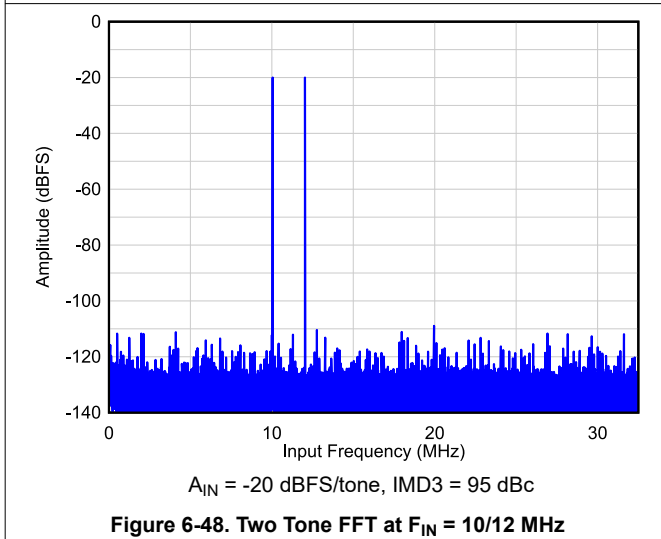
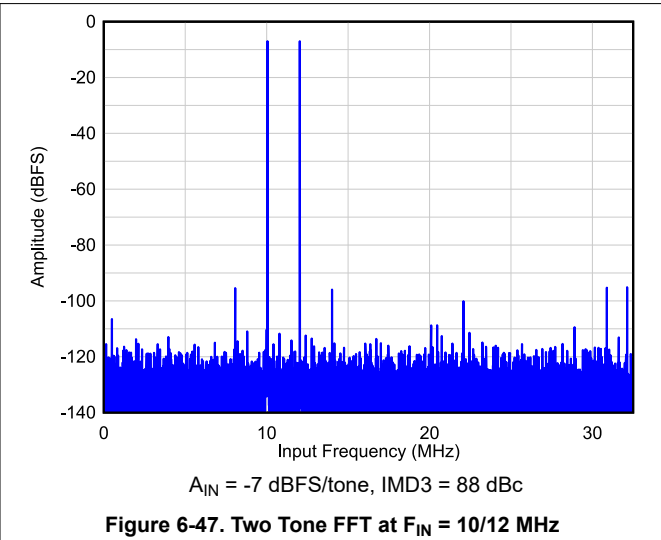
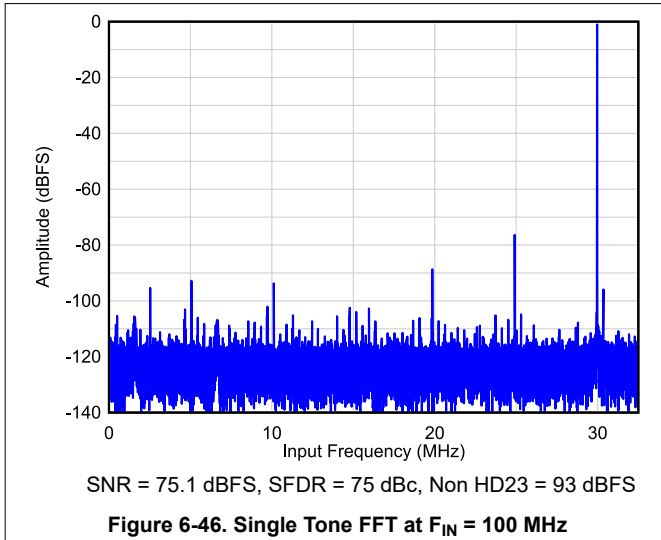


SNR = 77.3 dBFS, SFDR = 86 dBc, Non HD23 = 92 dBFS

Figure 6-45. Single Tone FFT at $F_{IN} = 64\text{ MHz}$

6.11 Typical Characteristics - ADC3683 (continued)

Typical values at $T_A = 25\text{ }^\circ\text{C}$, ADC sampling rate = 65 MSPS, $A_{IN} = -1\text{ dBFS}$ differential input, $AVDD = IOVDD = 1.8\text{ V}$, external 1.6 V voltage reference, unless otherwise noted.



6.11 Typical Characteristics - ADC3683 (continued)

Typical values at $T_A = 25^\circ\text{C}$, ADC sampling rate = 65 MSPS, $A_{IN} = -1$ dBFS differential input, $AVDD = IOVDD = 1.8$ V, external 1.6 V voltage reference, unless otherwise noted.

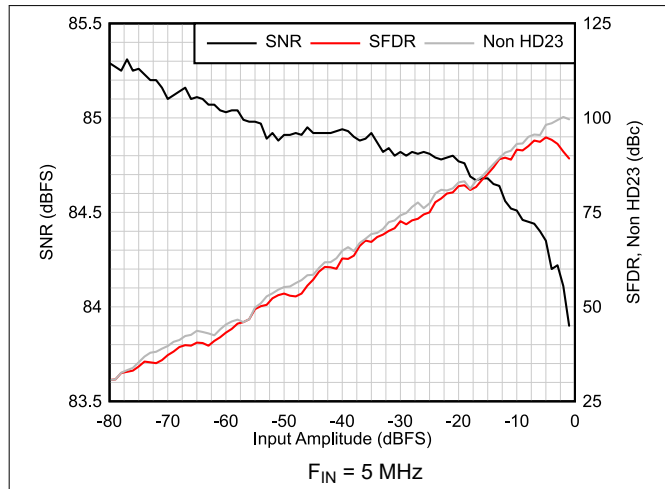


Figure 6-52. AC Performance vs Input Amplitude

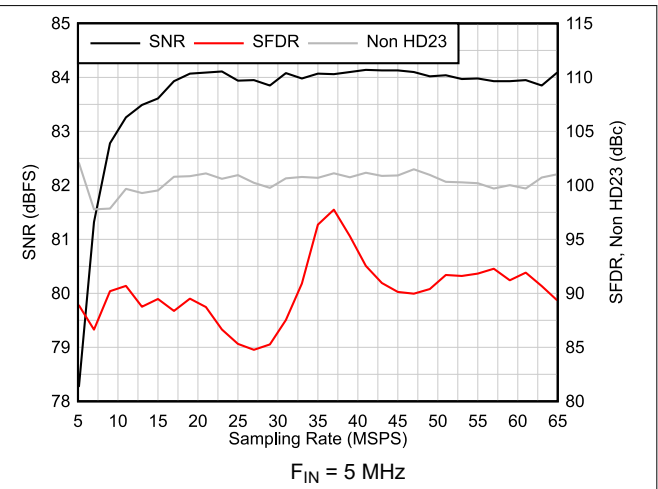


Figure 6-53. AC Performance vs Sampling Rate

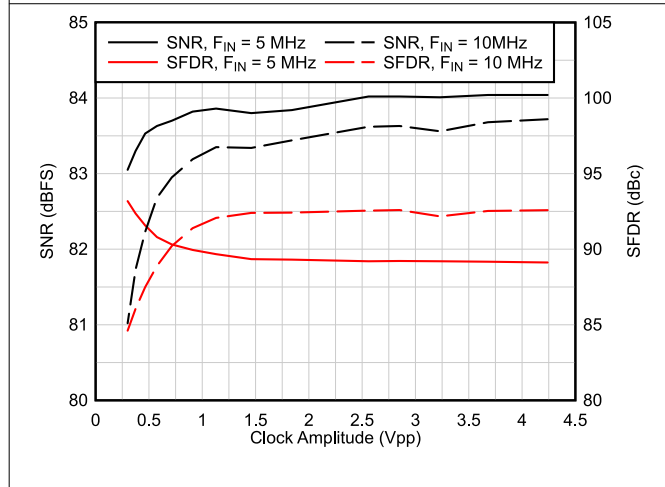


Figure 6-54. AC Performance vs Clock Amplitude

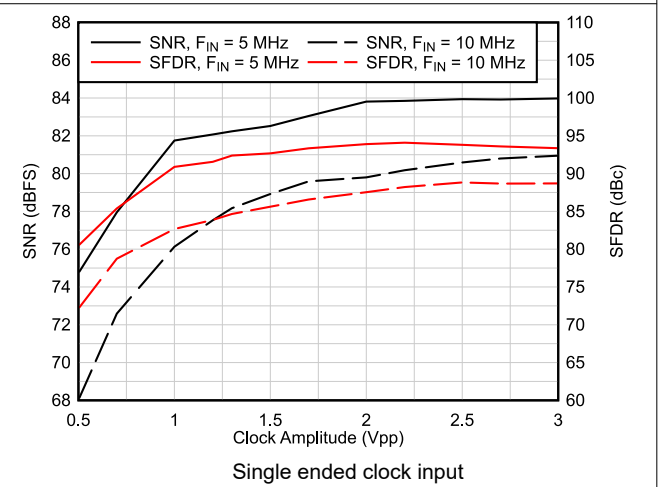


Figure 6-55. AC Performance vs Clock Amplitude

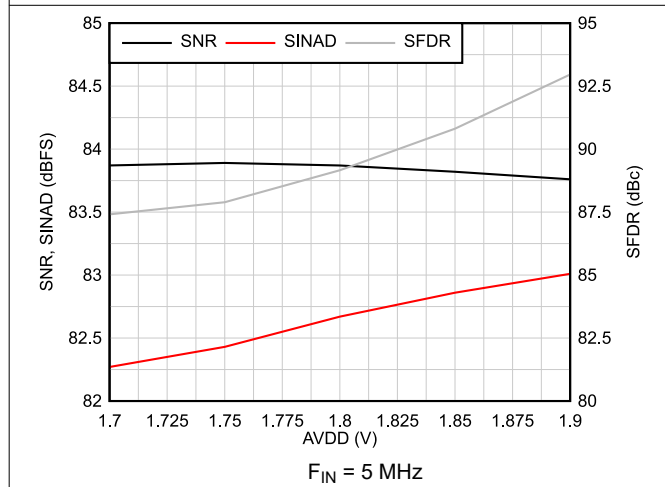


Figure 6-56. AC Performance vs AVDD

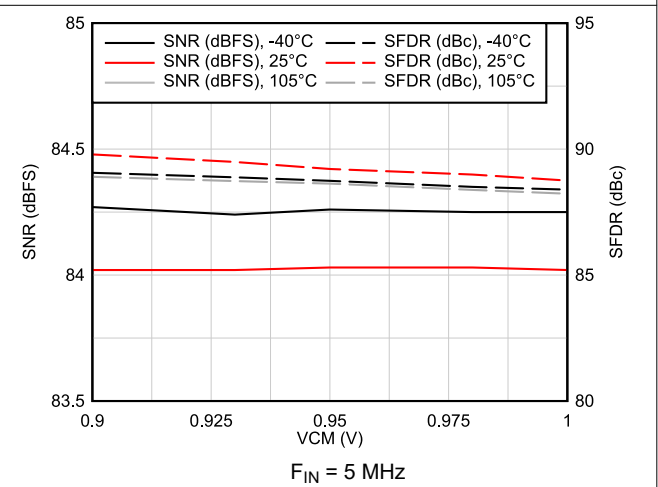


Figure 6-57. AC Performance vs VCM vs Temperature

6.11 Typical Characteristics - ADC3683 (continued)

Typical values at $T_A = 25\text{ }^\circ\text{C}$, ADC sampling rate = 65 MSPS, $A_{IN} = -1\text{ dBFS}$ differential input, $AVDD = IOVDD = 1.8\text{ V}$, external 1.6 V voltage reference, unless otherwise noted.

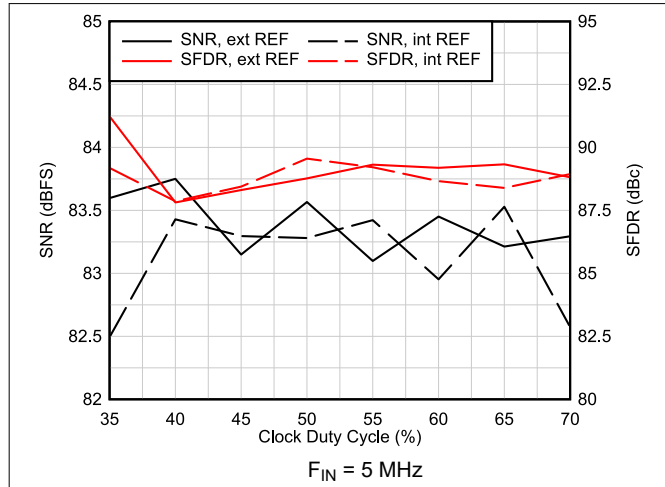


Figure 6-58. AC Performance vs Clock Duty Cycle

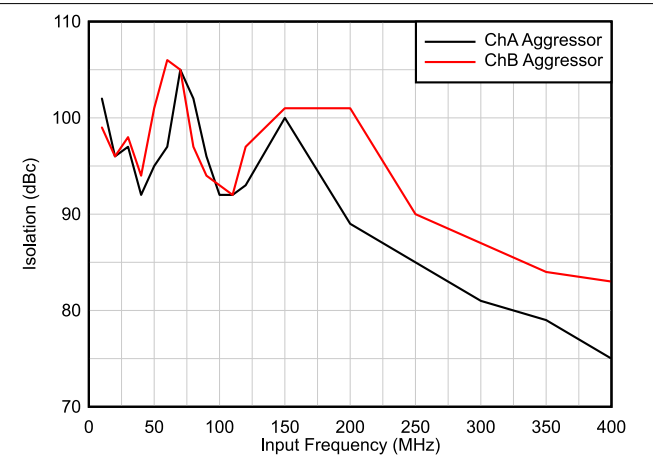


Figure 6-59. Isolation vs Input Frequency

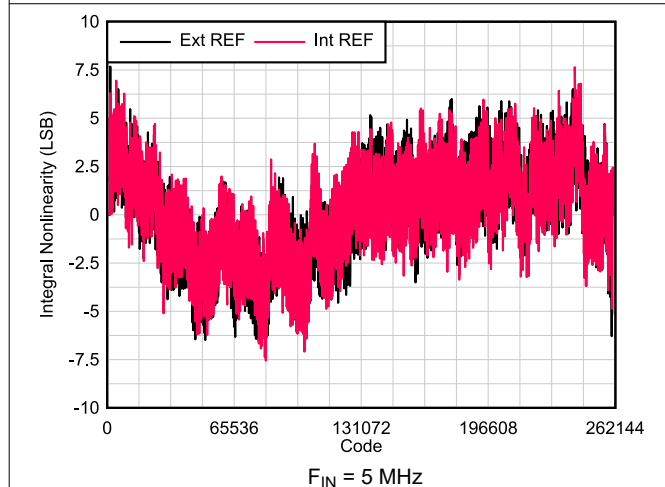


Figure 6-60. INL vs Code

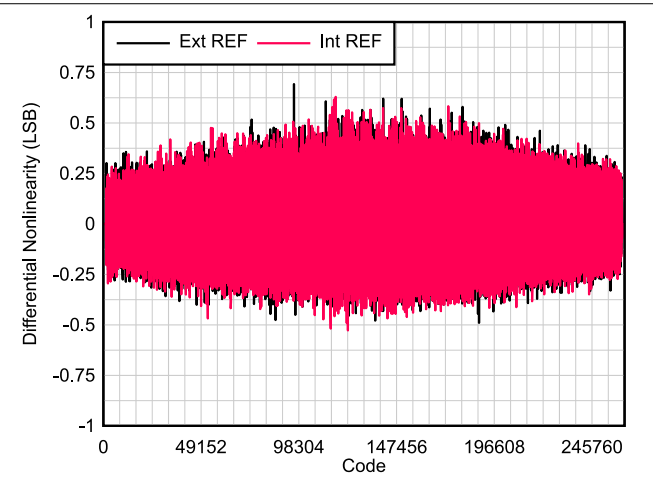


Figure 6-61. DNL vs Code

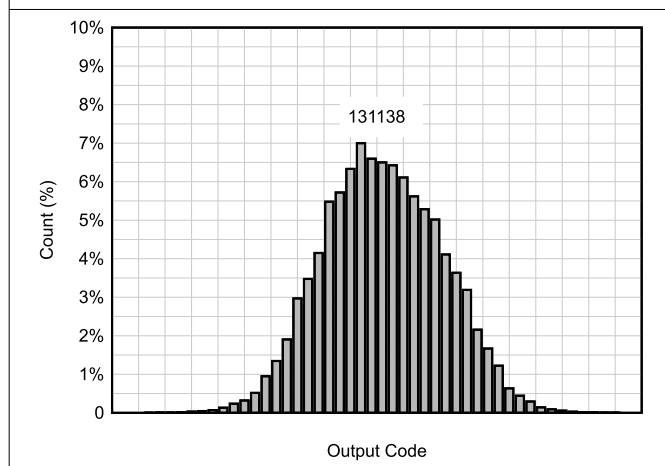


Figure 6-62. DC Offset Histogram

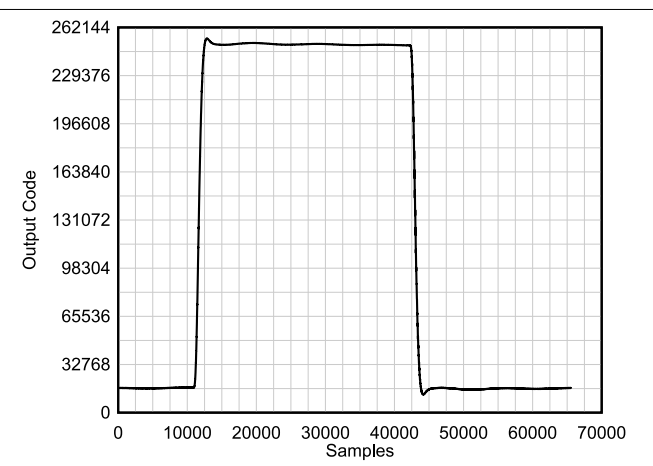


Figure 6-63. Pulse Response

6.11 Typical Characteristics - ADC3683 (continued)

Typical values at $T_A = 25\text{ }^\circ\text{C}$, ADC sampling rate = 65 MSPS, $A_{IN} = -1\text{ dBFS}$ differential input, $AVDD = IOVDD = 1.8\text{ V}$, external 1.6 V voltage reference, unless otherwise noted.

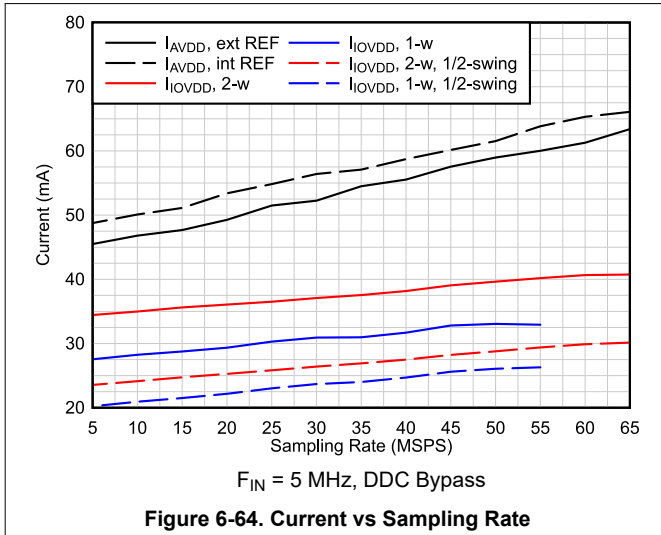


Figure 6-64. Current vs Sampling Rate

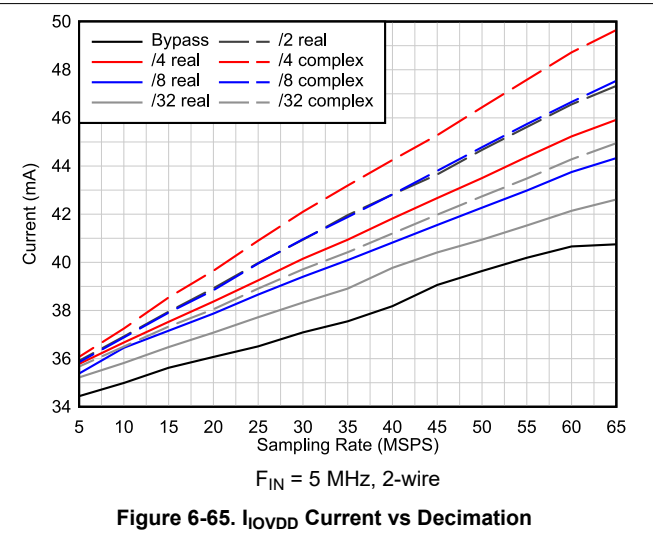


Figure 6-65. I_{IOVDD} Current vs Decimation

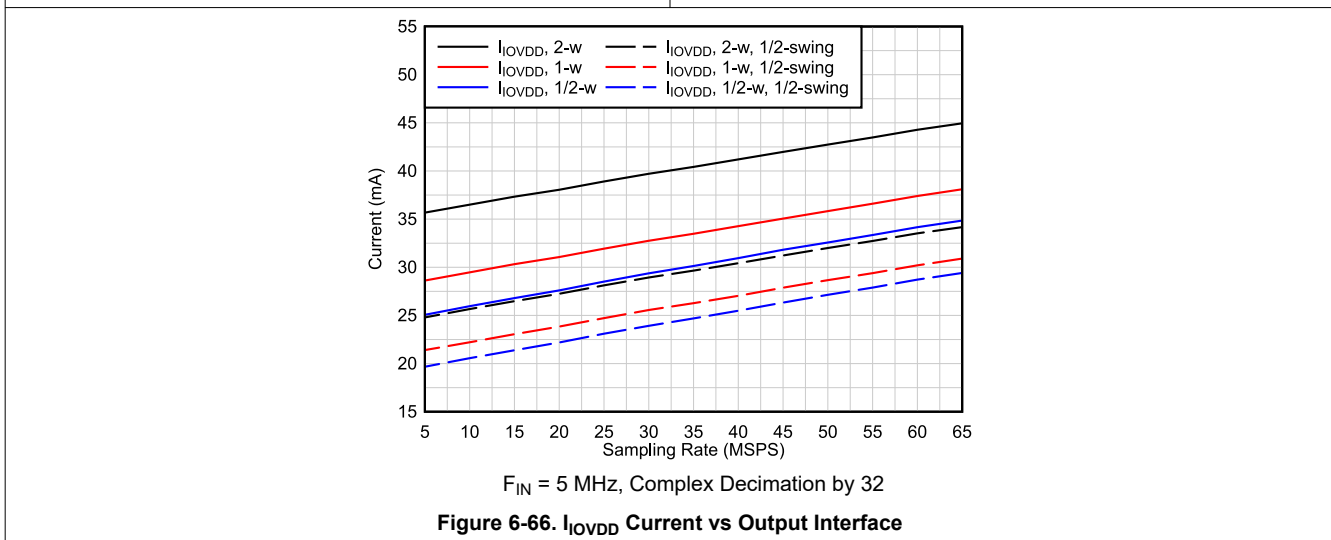


Figure 6-66. I_{IOVDD} Current vs Output Interface

7 Parameter Measurement Information

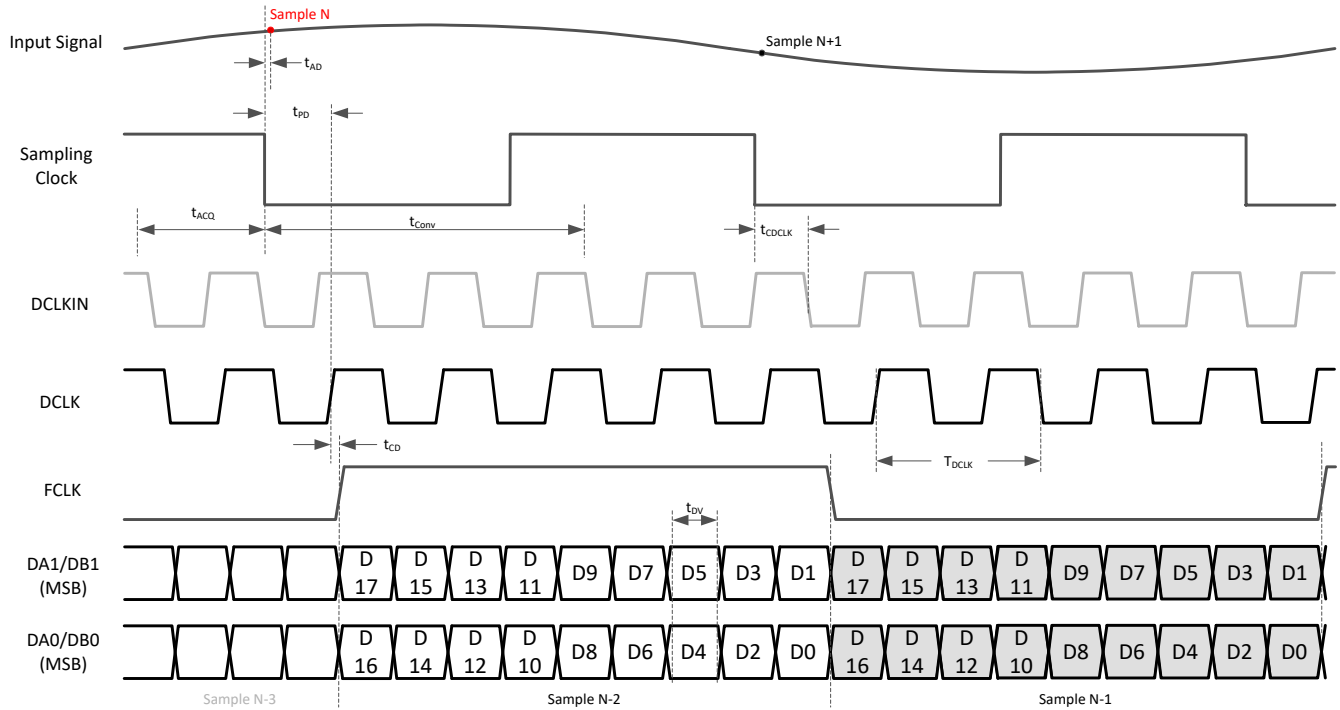


Figure 7-1. Timing diagram: 2-wire SLVDS (default output bit mapping)

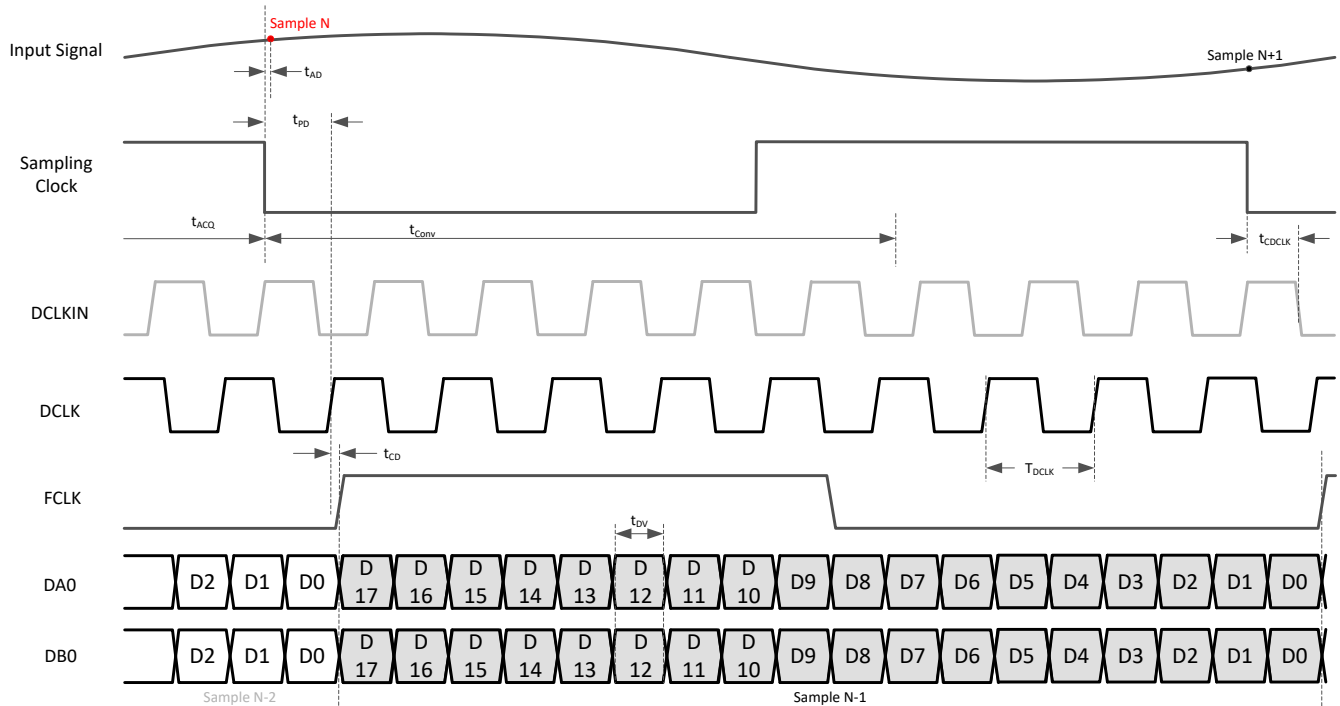


Figure 7-2. Timing diagram: 1-wire SLVDS (default output bit mapping)

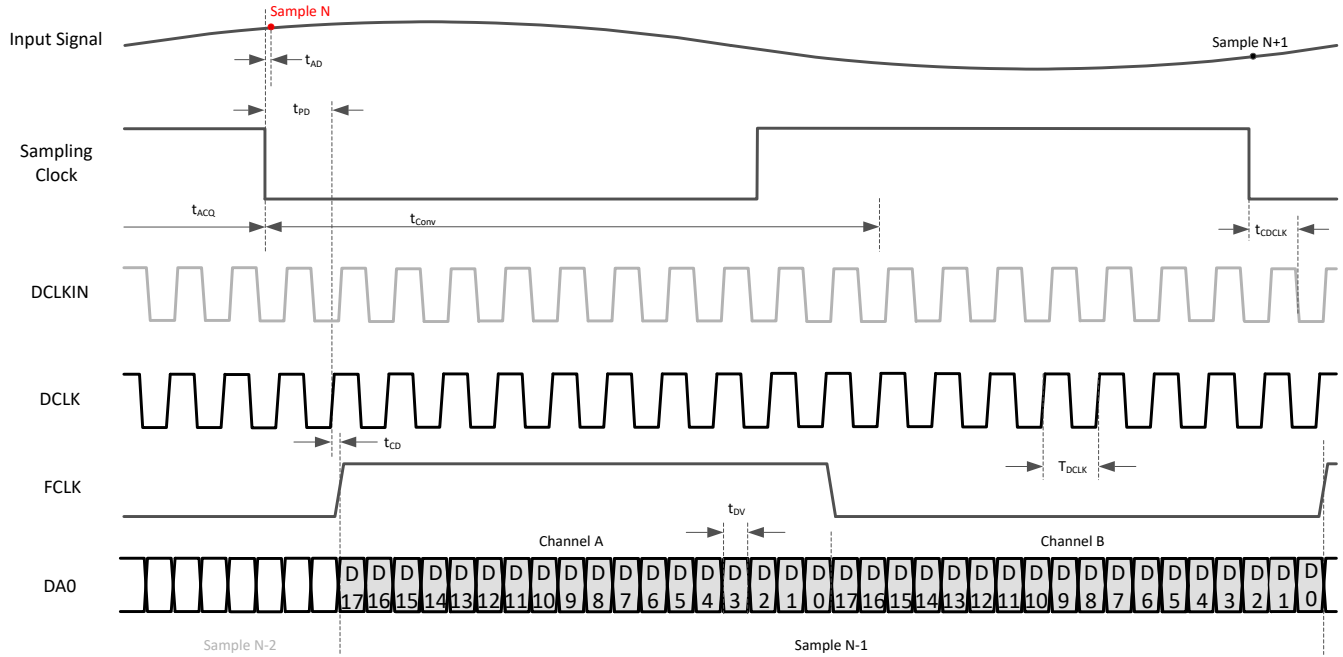


Figure 7-3. Timing diagram: 1/2-wire SLVDS (default output bit mapping)

8 Detailed Description

8.1 Overview

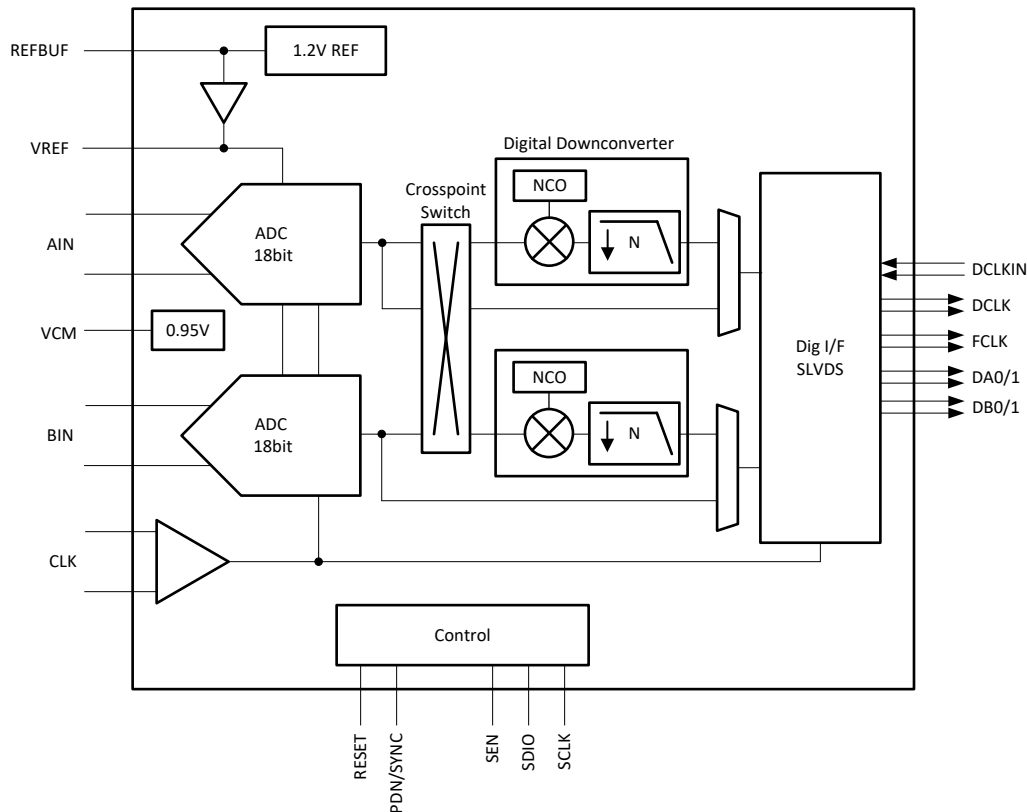
The ADC368x is a low noise, ultra-low power 18-bit high-speed dual channel ADC family supporting sampling rates up to 65 MSPS. It offers excellent DC precision together with IF sampling support which makes it ideally suited for a wide range of applications. The ADC368x is equipped with an internal reference option but it also supports the use of an external, high precision 1.6 V voltage reference or an external 1.2 V reference which is buffered and gained up internally. Because of the inherent low latency architecture, the digital output result is available after only one or two clock cycles depending on the digital output interface.

An optional programmable digital down converter enables external anti-alias filter relaxation as well as output data rate reduction. The digital filter provides a 32-bit programmable NCO and supports both real or complex decimation.

The ADC368x uses a serial LVDS (SLVDS) interface to output the data which minimizes the number of digital interconnects. The device supports a two-lane (2-wire), a one-lane (1-wire) and a half-lane (1/2-wire) option. The ADC368x includes a digital output formatter which supports output resolutions from 14 to 20-bit.

The device features and control options can be set up either through pin configurations or via SPI register writes.

8.2 Functional Block Diagram



8.3 Feature Description

8.3.1 Analog Input

The analog inputs of ADC368x are intended to be driven differentially. Both AC coupling and DC coupling of the analog inputs is supported. The analog inputs are designed for an input common mode voltage of 0.95 V which must be provided externally on each input pin. DC-coupled input signals must have a common mode voltage that meets the device input common mode voltage range.

The equivalent input network diagram is shown in Figure 8-1. All four sampling switches, on-resistance shown in red are in same position (open or closed) simultaneously.

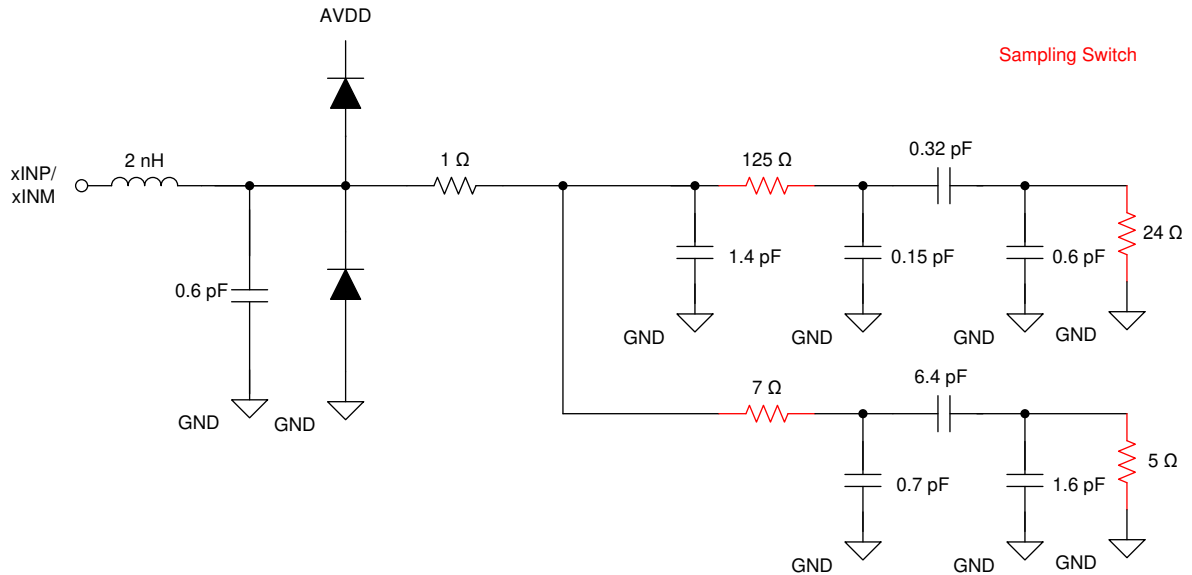


Figure 8-1. Equivalent input network

8.3.1.1 Analog Input Bandwidth

Figure 8-2 shows the analog full power input bandwidth of the ADC368x with a 50 Ω differential termination. The -3 dB bandwidth is approximately 900 MHz and the useful input bandwidth with good AC performance is approximately 120 MHz.

The equivalent differential input resistance R_{IN} and input capacitance C_{IN} vs frequency are shown in Figure 8-3.

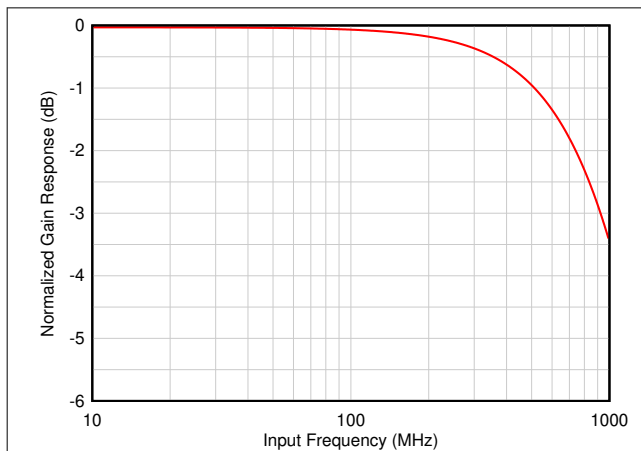


Figure 8-2. ADC Analog Input bandwidth response

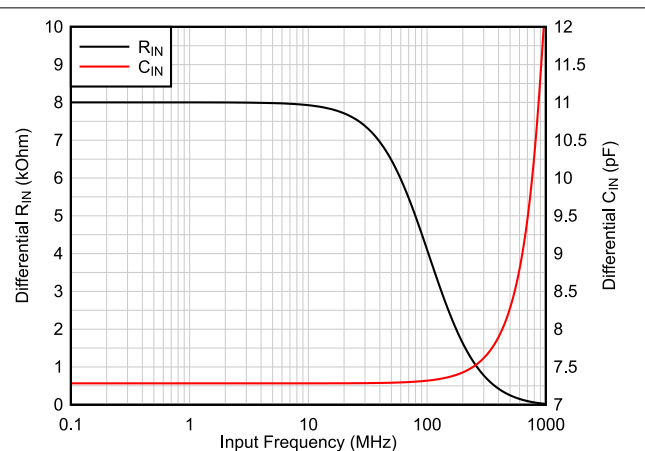


Figure 8-3. Equivalent R_{IN} , C_{IN} vs Input Frequency

8.3.1.2 Analog Front End Design

The ADC368x is an unbuffered ADC and thus a passive kick-back filter is recommended to absorb the glitch from the sampling operation. Depending on if the input is driven by a balun or a differential amplifier with low output impedance, a termination network may be needed. Additionally a passive DC bias circuit is needed in AC-coupled applications which can be combined with the termination network.

8.3.1.2.1 Sampling Glitch Filter Design

The front end sampling glitch filter is designed to optimize the SNR and HD3 performance of the ADC. The filter performance is dependent on input frequency and therefore the following filter designs are recommended for different input frequency ranges as shown in Figure 8-4 and Figure 8-5 (assuming a 50 Ω source impedance).

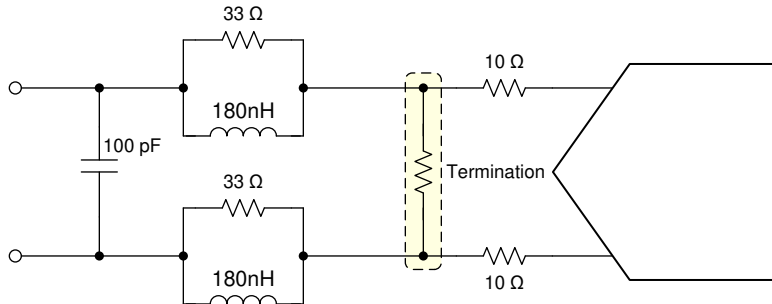


Figure 8-4. Sampling glitch filter example for input frequencies from DC to 30 MHz

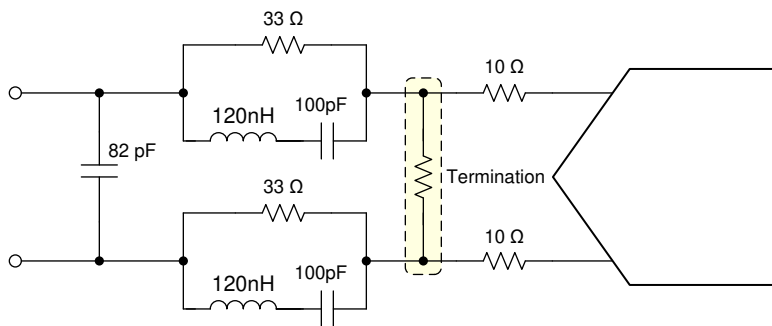


Figure 8-5. Sampling glitch filter example for input frequencies from 30 to 70 MHz

8.3.1.2.2 Analog Input Termination and DC Bias

Depending on the input drive circuitry, a termination network and/or DC biasing needs to be provided.

8.3.1.2.2.1 AC-Coupling

The ADC368x requires external DC bias using the common mode output voltage (VCM) of the ADC together with the termination network as shown in Figure 8-6. The termination is located within the glitch filter network. When using a balun on the input, the termination impedance has to be adjusted to account for the turns ratio of the transformer. When using an amplifier, the termination impedance can be adjusted to optimize the amplifier performance.

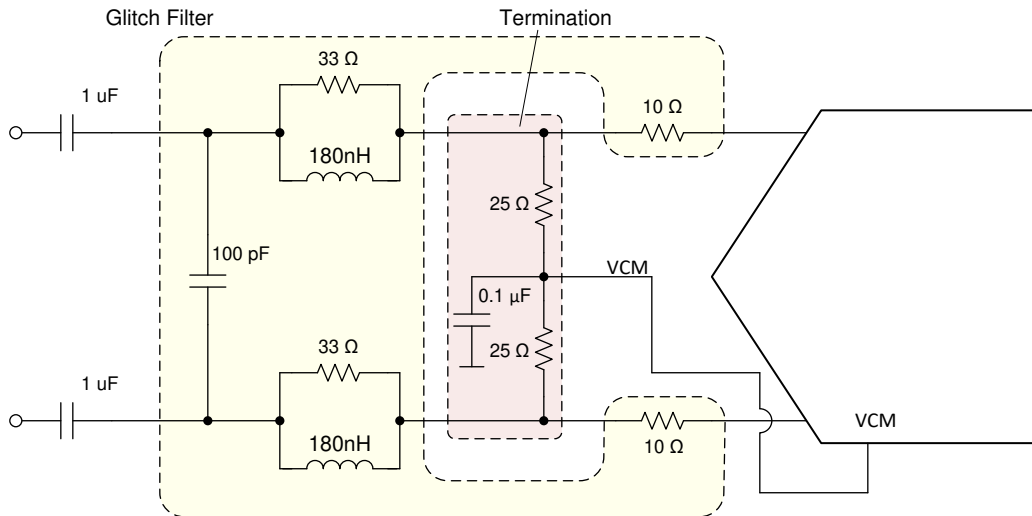


Figure 8-6. AC-Coupling: termination network provides DC bias (glitch filter example for DC - 30 MHz)

8.3.1.2.2.2 DC-Coupling

In DC coupled applications the DC bias needs to be provided from the fully differential amplifier (FDA) using VCM output of the ADC as shown in Figure 8-7. The glitch filter in this case is located between the anti-alias filter and the ADC. No termination may be needed if amplifier is located close to the ADC or if the termination is part of the anti-alias filter.

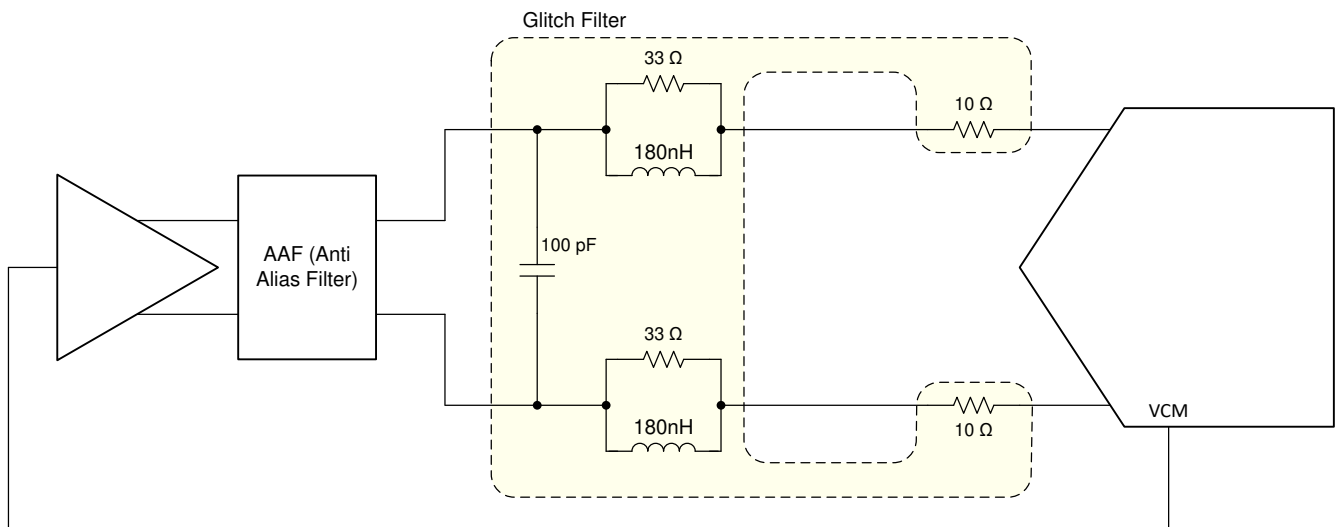


Figure 8-7. DC-Coupling: DC bias provided by FDA (glitch filter example for DC - 30 MHz)

8.3.1.3 Auto-Zero Feature

The ADC368x includes an internal auto-zero front end amplifier circuit which improves the 1/f flicker noise. This auto-zero feature is enabled by default for the ADC3681/2 and can be enabled using SPI register writes for the ADC3683 (register 0x11, D0). The 4M point FFTs below show the autozero feature enabled vs disabled.

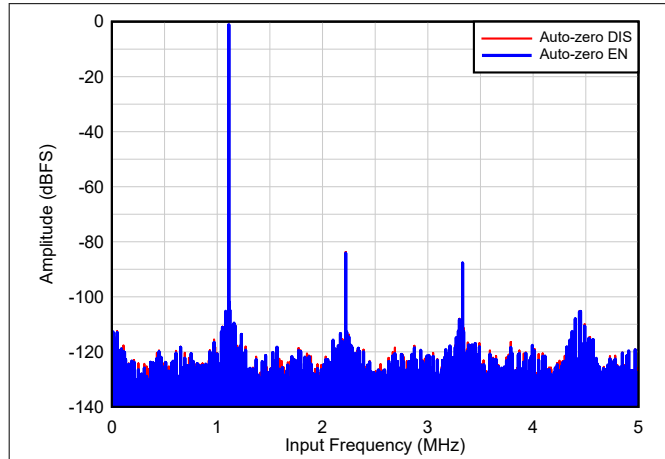


Figure 8-8. $F_S = 10$ MSPS, $F_{IN} = 1.1$ MHz

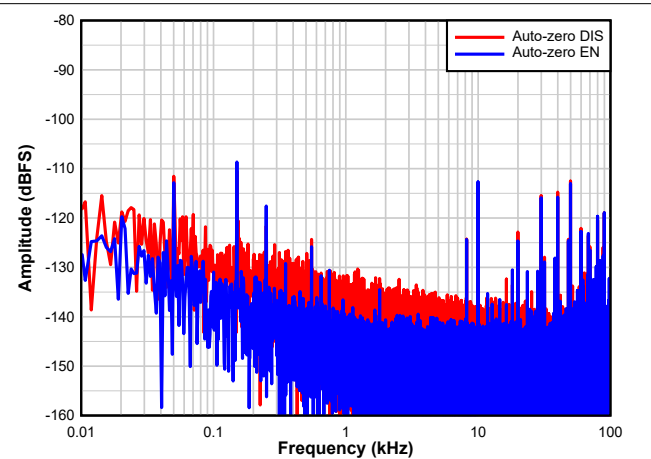


Figure 8-9. $F_S = 10$ MSPS, $F_{IN} = 1.1$ MHz

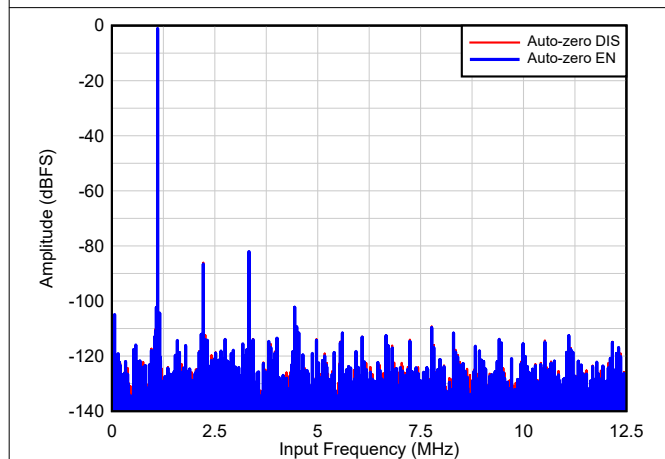


Figure 8-10. $F_S = 25$ MSPS, $F_{IN} = 1.1$ MHz

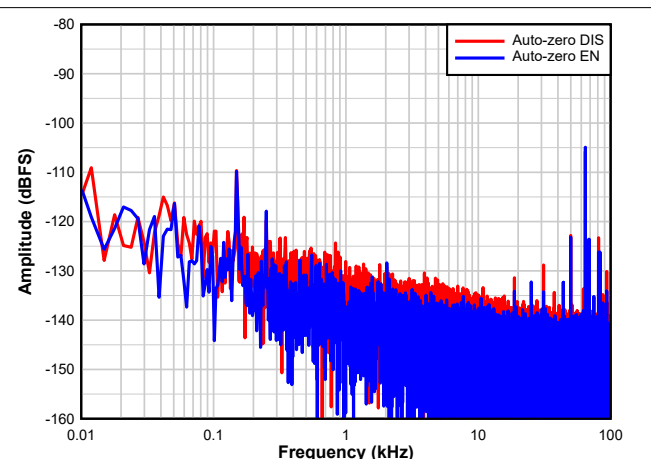


Figure 8-11. $F_S = 25$ MSPS, $F_{IN} = 1.1$ MHz

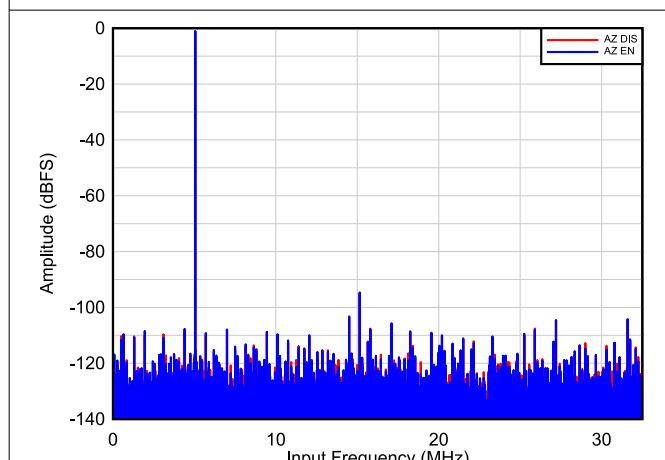


Figure 8-12. $F_S = 65$ MSPS, $F_{IN} = 5$ MHz

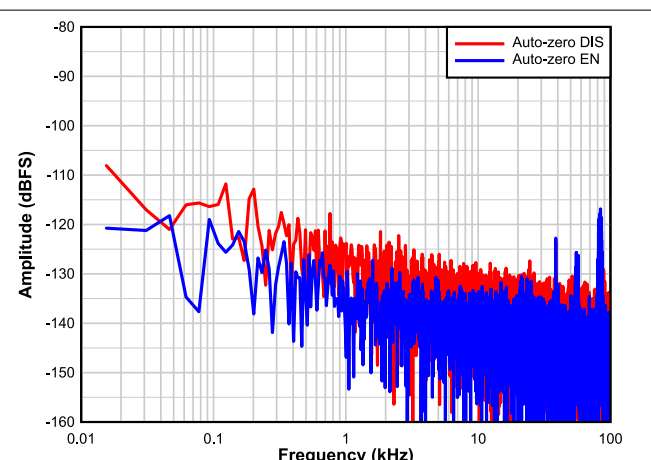
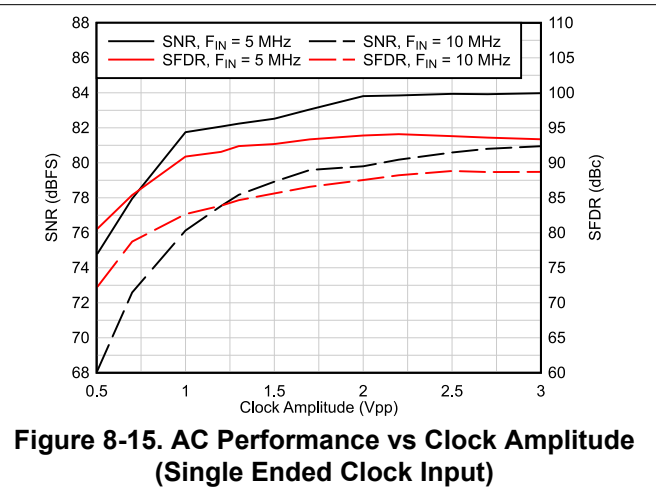
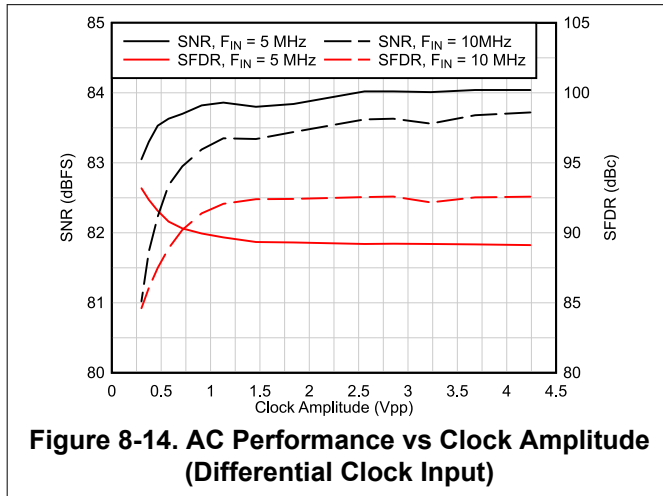


Figure 8-13. $F_S = 65$ MSPS, $F_{IN} = 5$ MHz

8.3.2 Clock Input

In order to maximize the ADC SNR performance, the external sampling clock should be low jitter and differential signaling with a high slew rate. This is especially important in IF sampling applications (Figure 8-14 and Figure 8-15). For less jitter sensitive applications, the ADC368x provides the option to operate with single ended signaling which saves additional power consumption.



8.3.2.1 Single Ended vs Differential Clock Input

The ADC368x can be operated using a differential or a single ended clock input where the single ended clock consumes less power consumption. However clock amplitude impacts the ADC aperture jitter and consequently the SNR. For maximum SNR performance, a large clock signal with fast slew rates needs to be provided.

- Differential Clock Input: The clock input can be AC coupled externally. The ADC368x provides internal bias.
- Single Ended Clock Input: This mode needs to be configured using SPI register (0x0E, D2 and D0) or with the REFBUF pin. In this mode there is no internal clock biasing and thus the clock input needs to be DC coupled around a 0.9V center. The unused input needs to be AC coupled to ground.

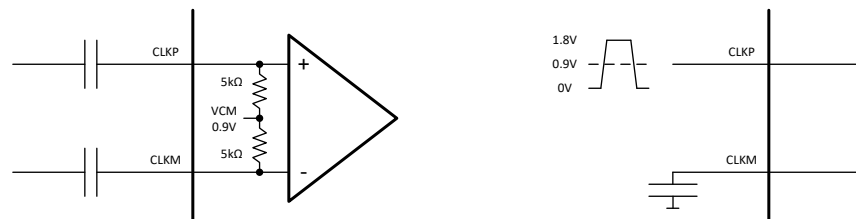


Figure 8-16. External and internal connection using differential (left) and single ended (right) clock input

8.3.2.2 Signal Acquisition Time Adjust

The ADC368x includes a register (DLL PDN (0x11, D2) which increases the signal acquisition time window for clock rates below 40 MSPS from 25% to 50% of the clock period. Increasing the sampling time provides a longer time for the driving amplifier to settle out the signal which can improve the SNR performance of the system. This register should only be used for the 65 MSPS speed grade (ADC3683) For the 10 and 25 MSPS device speed grades the sampling time is already set to $T_S/2$. When powering down the DLL, the acquisition time will track the clock duty cycle (50% is recommended).

Table 8-1. Acquisition time vs DLL PDN setting

| SAMPLING CLOCK F_S (MSPS) | DLL PDN (0x11, D2) | ACQUISITION TIME (t_{ACQ}) |
|-----------------------------|--------------------|--------------------------------|
| 65 | 0 | $T_S / 4$ |
| ≤ 40 | 1 | $T_S / 2$ |

8.3.3 Voltage Reference

The ADC368x provides three different options for supplying the voltage reference to the ADC. An external 1.6 V reference can be directly connected to the VREF input; a voltage 1.2 V reference can be connected to the REFBUF input using the internal gain buffer or the internal 1.2 V reference can be enabled to generate a 1.6 V reference voltage. For best performance, the reference noise should be filtered by connecting a 10 uF and a 0.1 uF ceramic bypass capacitor to the VREF pin. The internal reference circuitry of the ADC368x is shown in [Figure 8-17](#).

Note

The voltage reference mode can be selected using SPI writes or by using the REFBUF pin (default) as a control pin ([Section 8.5.1](#)). If the REFBUF pin is not used for configuration, the REFBUF pin should be connected to AVDD (even though the REFBUF pin has a weak internal pullup to AVDD) and the voltage reference option has to be selected using the SPI interface.

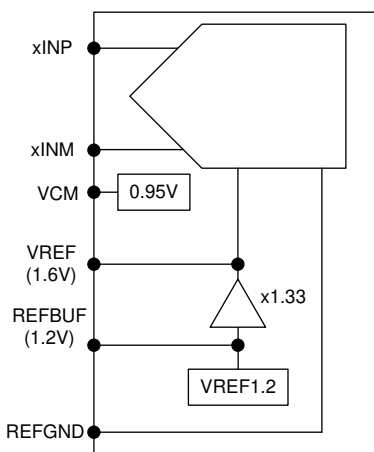


Figure 8-17. Different voltage reference options for ADC368x

8.3.3.1 Internal voltage reference

The 1.6 V reference for the ADC can be generated internal using the on-chip 1.2V bandgap reference along with the internal gain buffer. A 10 uF and a 0.1 uF ceramic bypass capacitor (C_{VREF}) should be connected between the VREF and REFGND pins as close to the pins as possible.

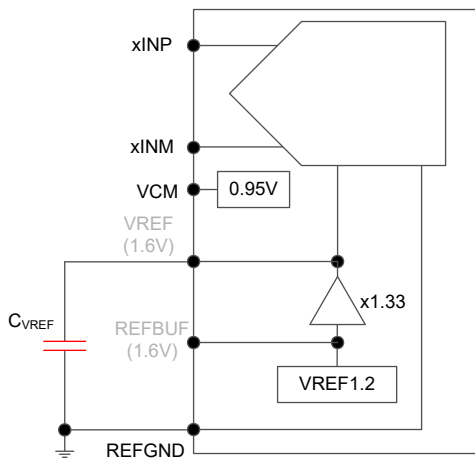


Figure 8-18. Internal reference

8.3.3.2 External voltage reference (VREF)

For highest accuracy and lowest temperature drift, the VREF input can be directly connected to an external 1.6 V reference. A 10 uF and a 0.1 uF ceramic bypass capacitor (C_{VREF}) connected between the VREF and REFGND pins and placed as close to the pins as possible is recommended. The load current from the external reference is about 1mA.

Note: The internal reference is also used for other functions inside the device, therefore the reference amplifier should only be powered down in power down state but not during normal operation.

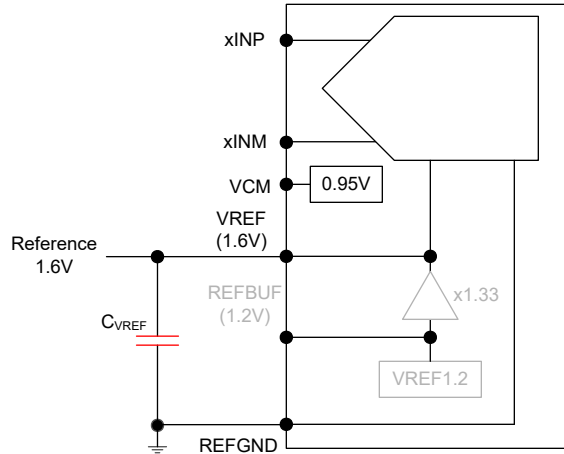


Figure 8-19. External 1.6 V reference

8.3.3.3 External voltage reference with internal buffer (REFBUF)

The ADC368x is equipped with an on-chip reference buffer that also includes gain to generate the 1.6 V reference voltage from an external 1.2V reference. A 10 uF and a 0.1 uF ceramic bypass capacitor (C_{VREF}) between the VREF and REFGND pins and a 10 uF and a 0.1 uF ceramic bypass capacitor between the REFBUF and REFGND pins are recommended. Both capacitors should be placed as close to the pins as possible. The load current from the external reference is less than 100uA.

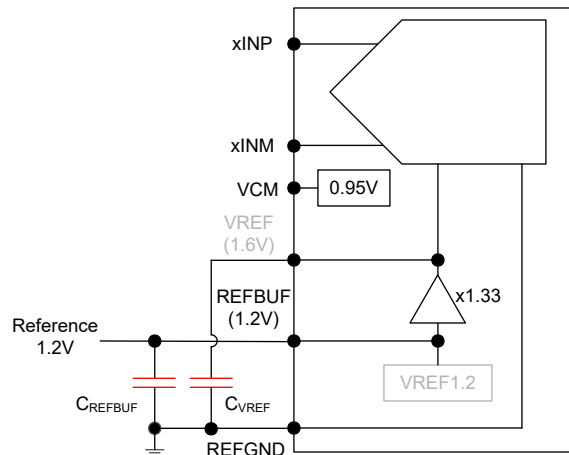


Figure 8-20. External 1.2V reference using internal reference buffer

8.3.4 Digital Down Converter

The ADC368x includes an optional on-chip digital down conversion (DDC) decimation filter that can be enabled via SPI register settings. It supports complex decimation by 2, 4, 8, 16 and 32 using a digital mixer and a 32-bit numerically controlled oscillator (NCO) as shown in Figure 8-21.

Furthermore it supports a mode with real decimation where the complex mixer is bypassed (NCO should be set to 0 for lowest power consumption) and the digital filter acts as a low pass filter.

Internally the decimation filter calculations are performed with a 20-bit resolution in order to avoid any SNR degradation due to quantization noise limitation. The Section 8.3.5.1 truncates to the selected resolution prior to outputting the data on the digital interface.

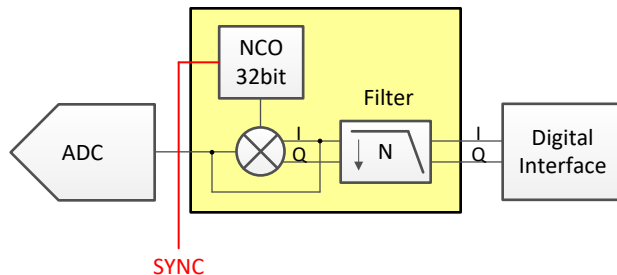


Figure 8-21. Internal Digital Decimation Filter

8.3.4.1 DDC MUX

The ADC368x contains a MUX in front of the digital decimation filter which allows ADC ChA to be connected to DDC ChB and vice versa. This feature is enabled and controlled using the SPI interface. Subsequently the output interface corresponds to the DDC channel A and B.

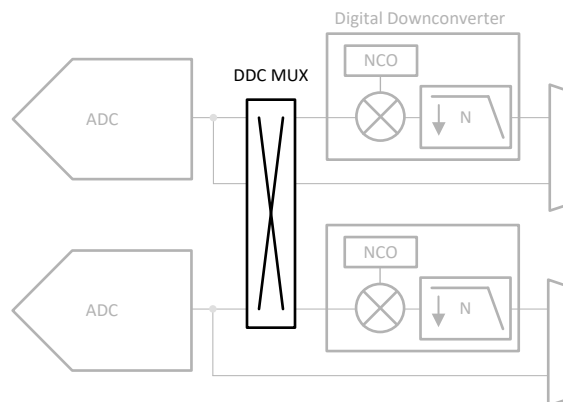


Figure 8-22. DDC MUX

8.3.4.2 Digital Filter Operation

The complex decimation operation is illustrated with an example in [Figure 8-23](#). First the input signal (and the negative image) are frequency shifted by the NCO frequency as shown on the left. Next a digital filter is applied (centered around 0 Hz) and the output data rate is decimated by 8 complex - in this example the output data rate $F_{S,OUT} = F_S/8$ with a Nyquist zone of $F_S/16$. During the complex mixing the spectrum (signal and noise) is split into real and complex parts and thus the amplitude is reduced by 6-dB. In order to compensate this loss, there is a 6-dB digital gain option in the decimation filter block that can be enabled via SPI write.

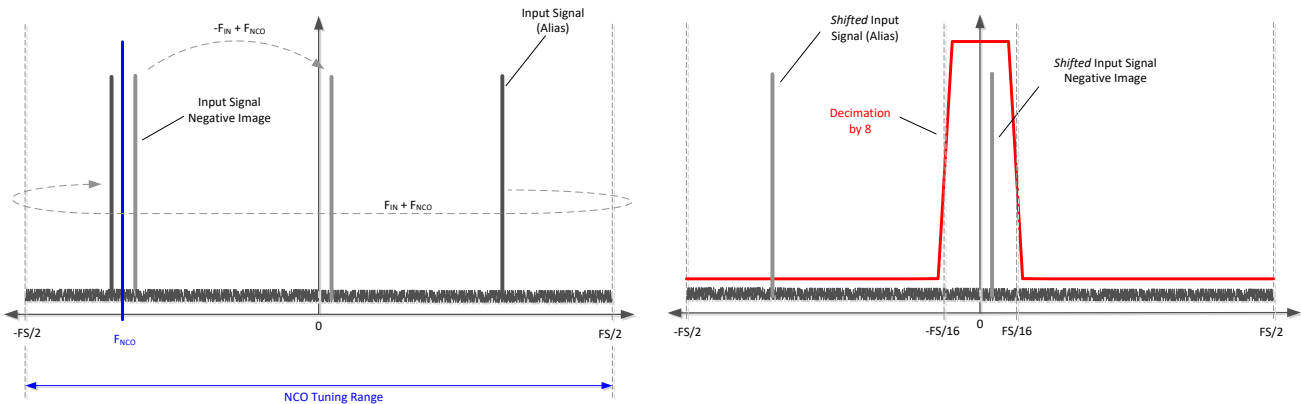


Figure 8-23. Complex decimation illustration

The real decimation operation is illustrated with an example in [Figure 8-24](#). There is no frequency shift happening and only the real portion of the complex digital filter is exercised. The output data rate is decimated - a decimation of 8 would result in an output data rate $F_{S,OUT} = F_S/8$ with a Nyquist zone of $F_S/16$.

During the real mixing the spectrum (signal and noise) amplitude is reduced by 3-dB. In order to compensate this loss, there is a 3-dB digital gain option in the decimation filter block that can be enabled via SPI write.

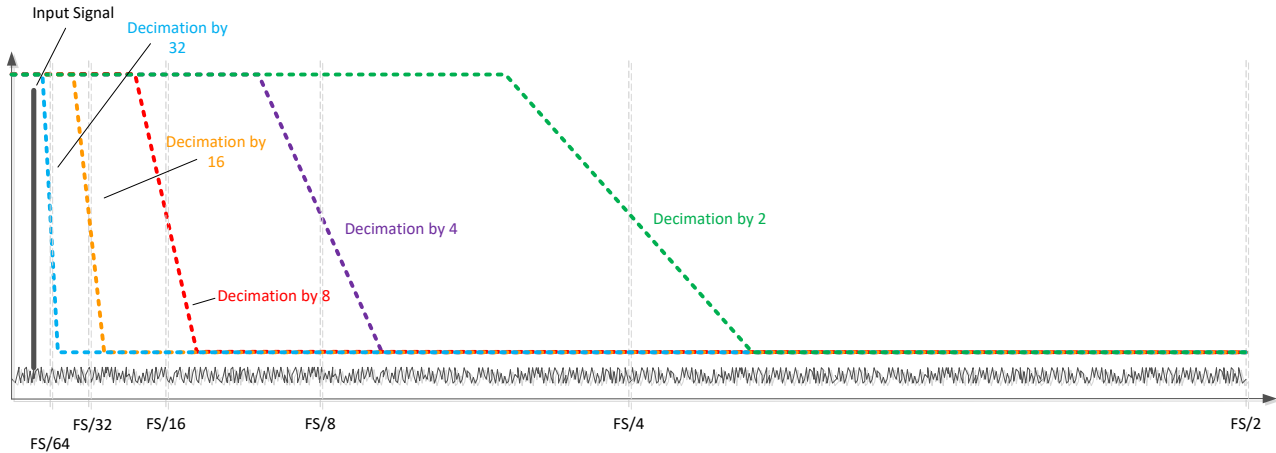


Figure 8-24. Real decimation illustration

8.3.4.3 FS/4 Mixing with Real Output

In this mode, the output after complex decimation gets mixed with FS/4 (FS = output data rate in this case). Instead of a complex output with the input signal centered around 0 Hz, the output is transmitted as a real output at twice the data rate and the signal is centered around FS/4 (F_{out}/4) as illustrated in Figure 8-25.

In this example, complex decimation by 8 is used. The output data is transmitted as a real output with an output rate of F_{out} = FS'/4 (FS' = ADC sampling rate). The input signal is now centered around FS/4 (F_{out}/4) or FS'/16.

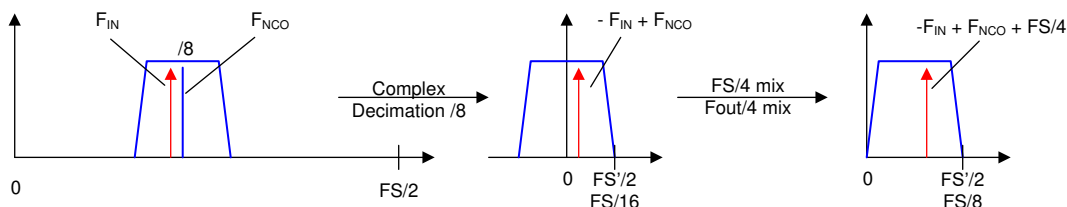


Figure 8-25. FS/4 Mixing with real output

8.3.4.4 Numerically Controlled Oscillator (NCO) and Digital Mixer

The decimation block is equipped with a 32-bit NCO and a digital mixer to fine tune the frequency placement prior to the digital filtering. The oscillator generates a complex exponential sequence of:

$$e^{j\omega n} \text{ (default) or } e^{-j\omega n} \quad (1)$$

where: frequency (ω) is specified as a signed number by the 32-bit register setting

The complex exponential sequence is multiplied with the real input from the ADC to mix the desired carrier to a frequency equal to $f_{IN} + f_{NCO}$. The NCO frequency can be tuned from $-F_S/2$ to $+F_S/2$ and is processed as a signed, 2s complement number. After programming a new NCO frequency, the MIXER RESTART register bit or SYNC pin has to be toggled for the new frequency to get active. Additionally the ADC368x provides the option via SPI to invert the mixer phase.

The NCO frequency setting is set by the 32-bit register value given and calculated as:

$$\text{NCO frequency} = 0 \text{ to } +F_S/2: \text{NCO} = f_{NCO} \times 2^{32} / F_S$$

$$\text{NCO frequency} = -F_S/2 \text{ to } 0: \text{NCO} = (f_{NCO} + F_S) \times 2^{32} / F_S$$

where:

- NCO = NCO register setting (decimal value)
- f_{NCO} = Desired NCO frequency (MHz)
- F_S = ADC sampling rate (MSPS)

The NCO programming is further illustrated with this example:

- ADC sampling rate $F_S = 65$ MSPS
- Input signal $f_{IN} = 10$ MHz
- Desired output frequency $f_{OUT} = 0$ MHz

For this example there are actually four ways to program the NCO and achieve the desired output frequency as shown in Table 8-2.

Table 8-2. NCO value calculations example

| Alias or negative image | f_{NCO} | NCO Value | Mixer Phase | Frequency translation for f_{OUT} |
|-------------------------|---------------------|------------|-------------|--|
| $f_{IN} = -10$ MHz | $f_{NCO} = 10$ MHz | 660764199 | as is | $f_{OUT} = f_{IN} + f_{NCO} = -10 \text{ MHz} + 10 \text{ MHz} = 0 \text{ MHz}$ |
| $f_{IN} = 10$ MHz | $f_{NCO} = -10$ MHz | 3634203097 | | $f_{OUT} = f_{IN} + f_{NCO} = 10 \text{ MHz} + (-10 \text{ MHz}) = 0 \text{ MHz}$ |
| $f_{IN} = 10$ MHz | $f_{NCO} = 10$ MHz | 660764199 | inverted | $f_{OUT} = f_{IN} - f_{NCO} = 10 \text{ MHz} - 10 \text{ MHz} = 0 \text{ MHz}$ |
| $f_{IN} = -10$ MHz | $f_{NCO} = -10$ MHz | 3634203097 | | $f_{OUT} = f_{IN} - f_{NCO} = -10 \text{ MHz} - (-10 \text{ MHz}) = 0 \text{ MHz}$ |

8.3.4.5 Decimation Filter

The ADC368x supports complex decimation by 2, 4, 8, 16 and 32 with a stopband rejection of at least 85 dB and a pass-band bandwidth of ~ 80%. Table 8-3 gives an overview of the pass-band bandwidth of the different decimation settings with respect to ADC sampling rate F_S . In real decimation mode the output bandwidth is half of the complex bandwidth.

Table 8-3. Decimation Filter Summary and Maximum Available Output Bandwidth

| REAL/COMPLEX DECIMATION | DECIMATION SETTING N | OUTPUT RATE | OUTPUT BANDWIDTH | OUTPUT RATE ($F_S = 65$ MSPS) | OUTPUT BANDWIDTH ($F_S = 65$ MSPS) |
|-------------------------|----------------------|--------------------|-----------------------|--------------------------------|-------------------------------------|
| Complex | 2 | $F_S / 2$ complex | $0.8 \times F_S / 2$ | 32.5 MSPS complex | 26 MHz |
| | 4 | $F_S / 4$ complex | $0.8 \times F_S / 4$ | 16.25 MSPS complex | 13 MHz |
| | 8 | $F_S / 8$ complex | $0.8 \times F_S / 8$ | 8.125 MSPS complex | 6.5 MHz |
| | 16 | $F_S / 16$ complex | $0.8 \times F_S / 16$ | 4.0625 MSPS complex | 3.25 MHz |
| | 32 | $F_S / 32$ complex | $0.8 \times F_S / 32$ | 2.03125 MSPS complex | 1.625 MHz |
| Real | 2 | $F_S / 2$ real | $0.4 \times F_S / 2$ | 32.5 MSPS | 13 MHz |
| | 4 | $F_S / 4$ real | $0.4 \times F_S / 4$ | 16.25 MSPS | 6.5 MHz |
| | 8 | $F_S / 8$ real | $0.4 \times F_S / 8$ | 8.125 MSPS | 3.25 MHz |
| | 16 | $F_S / 16$ real | $0.4 \times F_S / 16$ | 4.0625 MSPS | 1.625 MHz |
| | 32 | $F_S / 32$ real | $0.4 \times F_S / 32$ | 2.03125 MSPS | 0.8125 MHz |

The decimation filter responses are normalized to the ADC sampling clock frequency F_S and illustrated in Figure 8-27 to Figure 8-36. They are interpreted as follows:

Each figure contains the filter pass-band, transition band(s) and alias or stop-band(s) as shown in Figure 8-26. The x-axis shows the offset frequency (after the NCO frequency shift) normalized to the ADC sampling rate F_S .

For example, in the divide-by-4 complex setup, the output data rate is $F_S / 4$ complex with a Nyquist zone of $F_S / 8$ or $0.125 \times F_S$. The transition band (colored in blue) is centered around $0.125 \times F_S$ and the alias transition band is centered at $0.375 \times F_S$. The stop-bands (colored in red), which alias on top of the pass-band, are centered at $0.25 \times F_S$ and $0.5 \times F_S$. The stop-band attenuation is greater than 85 dB.

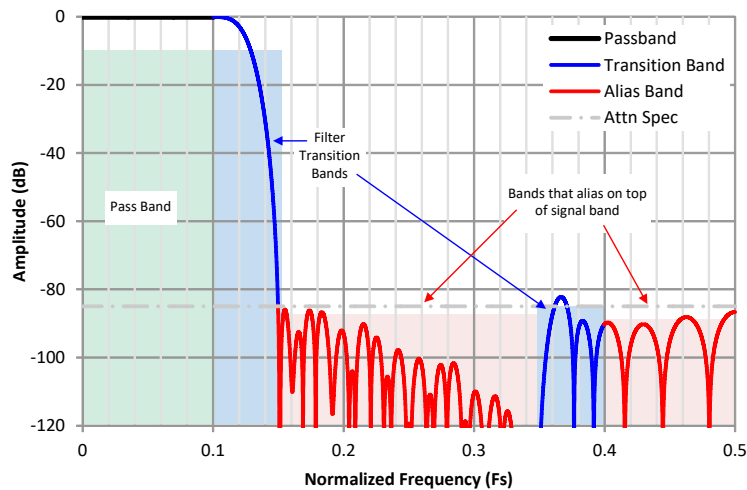


Figure 8-26. Interpretation of the Decimation Filter Plots

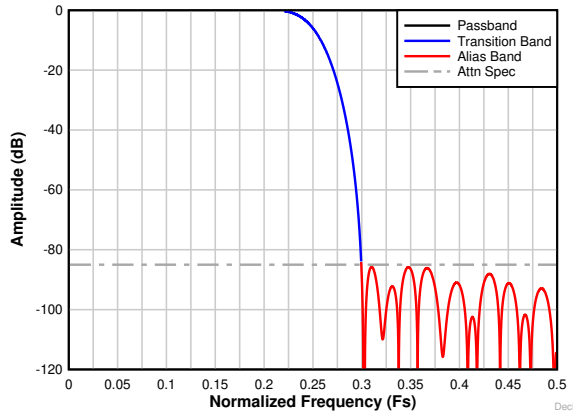


Figure 8-27. Decimation by 2 complex frequency response

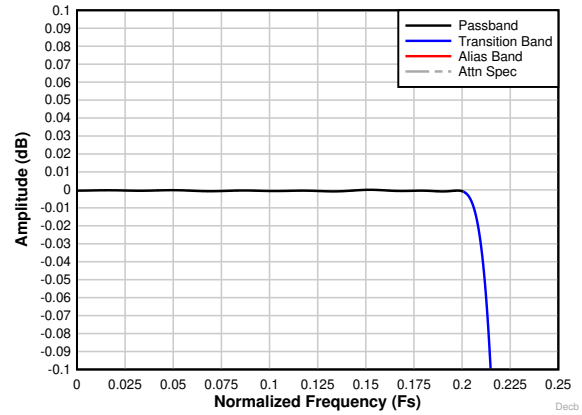


Figure 8-28. Decimation by 2 complex passband ripple response

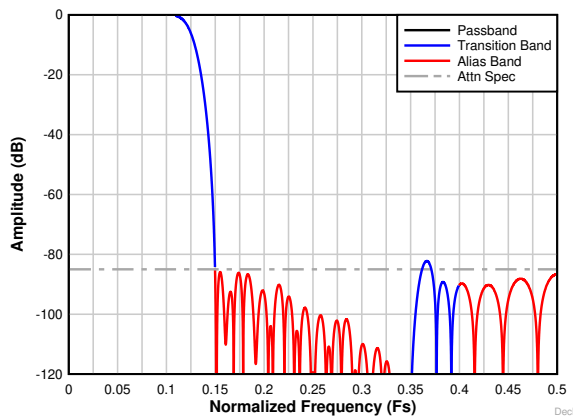


Figure 8-29. Decimation by 4 complex frequency response

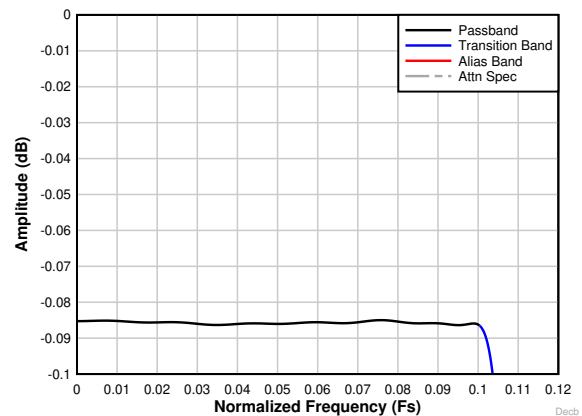


Figure 8-30. Decimation by 4 complex passband ripple response

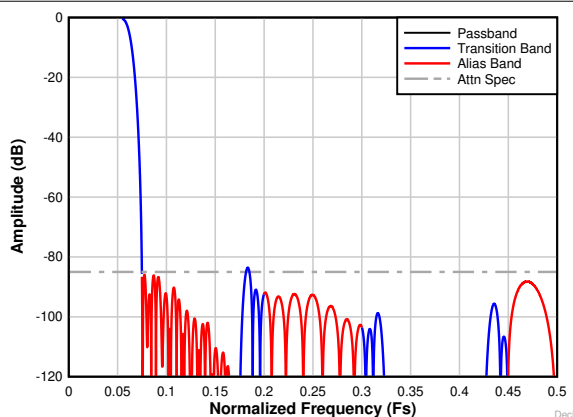


Figure 8-31. Decimation by 8 complex frequency response

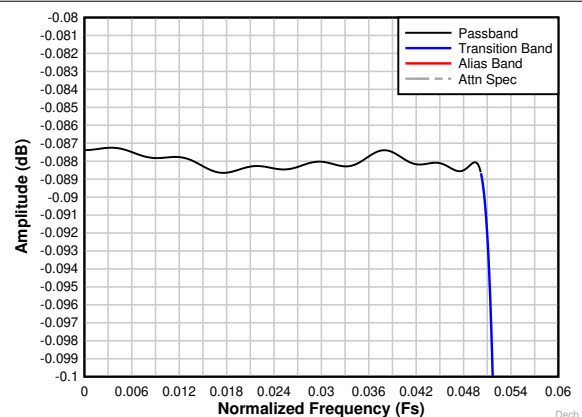
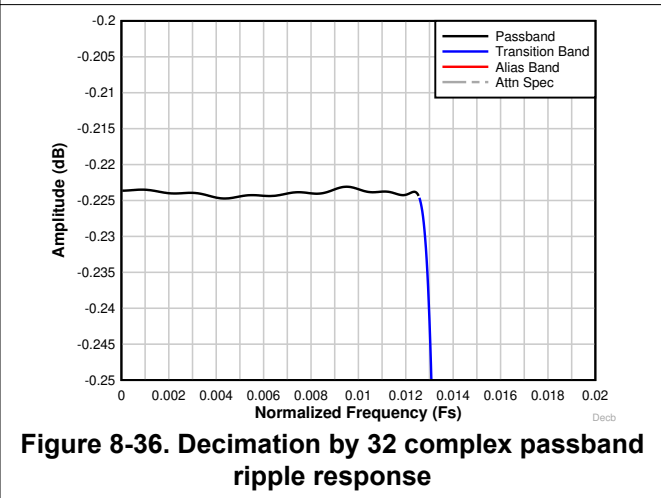
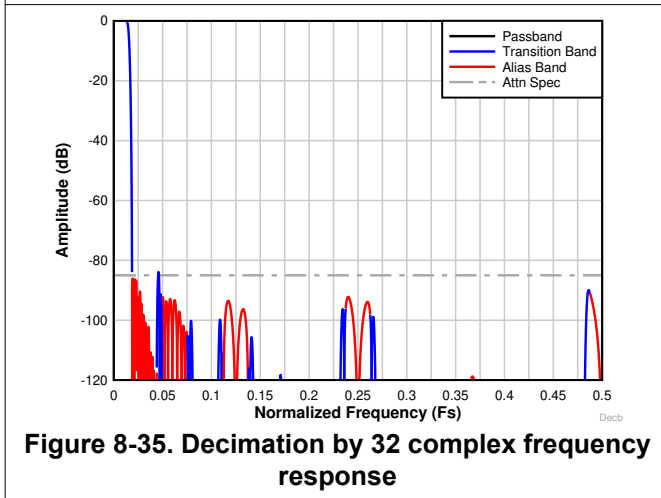
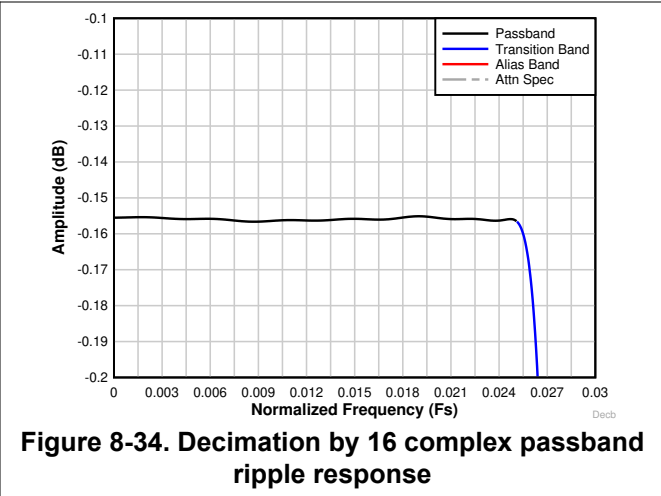
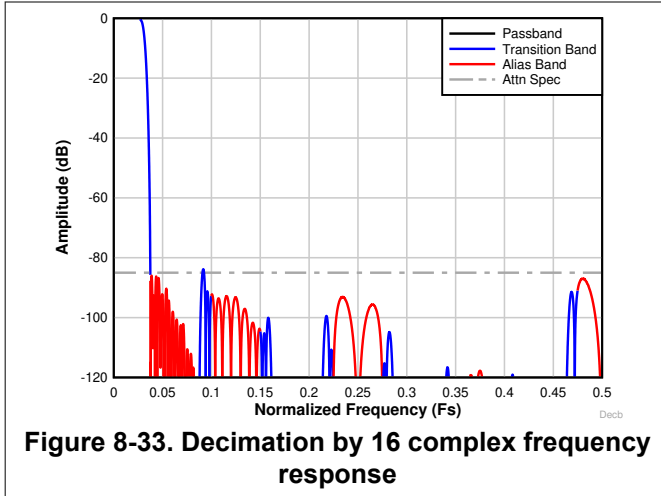


Figure 8-32. Decimation by 8 complex passband ripple response



8.3.4.6 SYNC

The PDN/SYNC pin can be used to synchronize multiple devices using an external SYNC signal. The PDN/SYNC pin can be configured via SPI (SYNC EN bit) from power down to synchronization functionality and is latched in by the rising edge of the sampling clock as shown in [Figure 8-37](#).

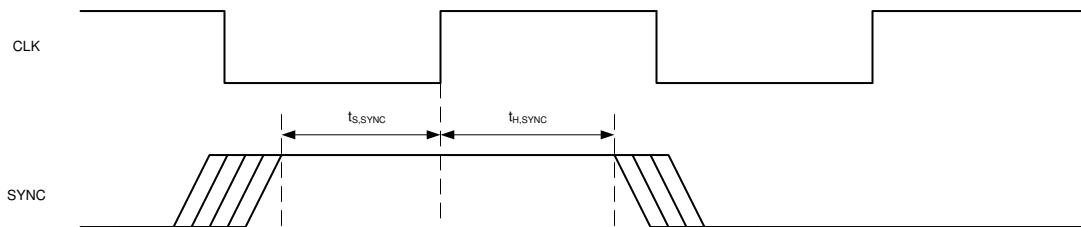


Figure 8-37. External SYNC timing diagram

The synchronization signal is only required when using the decimation filter - either using the SPI SYNC register or the PDN/SYNC pin. It resets internal clock dividers used in the decimation filter and aligns the internal clocks as well as I and Q data within the same sample. If no SYNC signal is given, the internal clock dividers is not be synchronized, which can lead to a fractional delay across different devices. The SYNC signal also resets the NCO phase and loads the new NCO frequency (same as the MIXER RESTART bit).

When trying to resynchronize during operation, the SYNC toggle should occur at 64*K clock cycles, where K is an integer. This provides the phase continuity of the clock divider.

8.3.4.7 Output Formatting with Decimation

When using decimation, the digital output data is formatted as shown in Figure 8-38 (complex decimation) and Figure 8-39 (real decimation). The output format is illustrated for 18-bit output resolution.

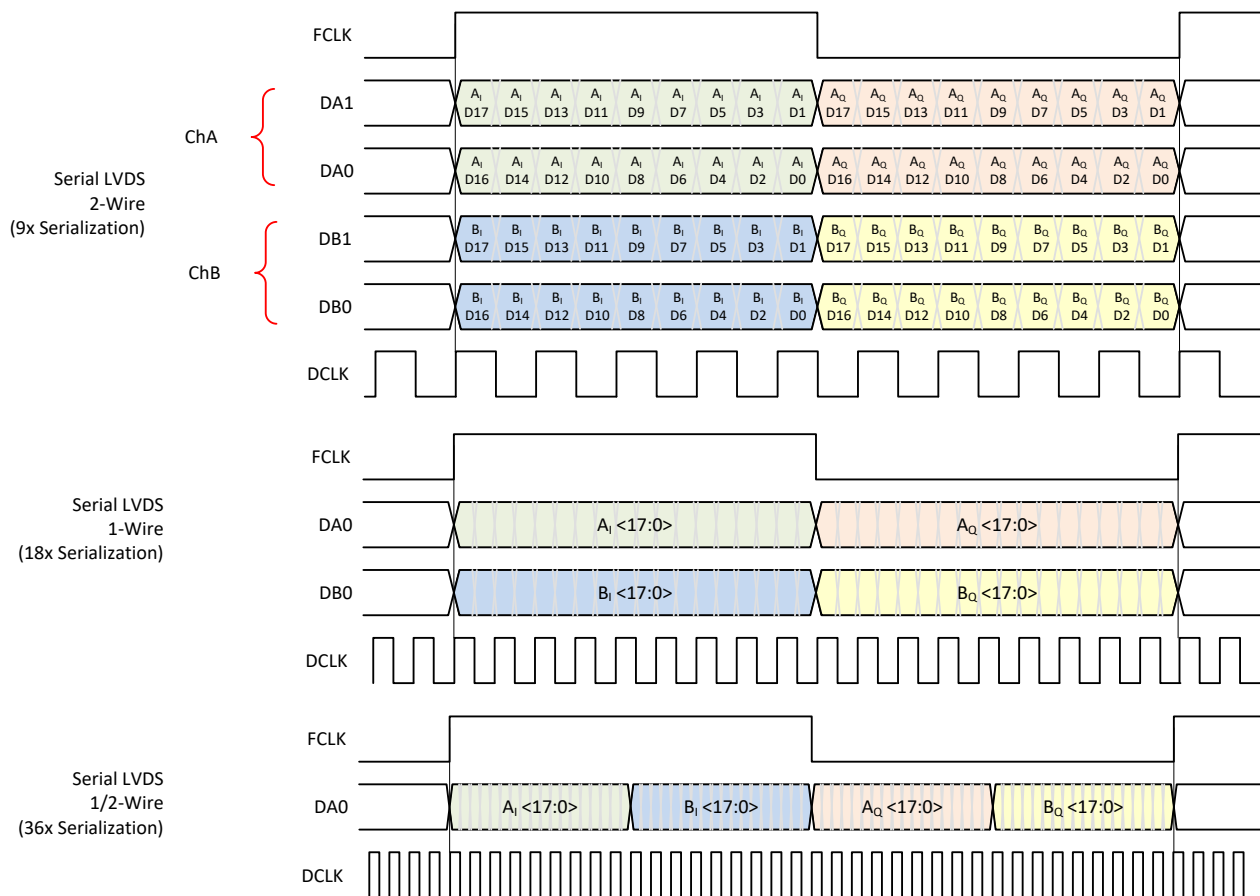


Figure 8-38. Output Data Format in Complex Decimation (18-bit Output Resolution)

Table 8-4 illustrates the output interface data rate along with the corresponding DCLK/DCLKIN and FCLK frequencies based on output resolution (R), number of SLVDS lanes (L) and complex decimation setting (N).

Furthermore the table shows an actual lane rate example for the 2-, 1- and 1/2-wire interface, 18-bit output resolution and complex decimation by 4.

Table 8-4. Serial LVDS Lane Rate Examples with Complex Decimation and 18-bit Output Resolution

| DECIMATION SETTING | ADC SAMPLING RATE | OUTPUT RESOLUTION | # of WIRES | FCLK | DCLKIN, DCLK | DA/B0,1 |
|--------------------|-------------------|-------------------|------------|-----------|-----------------|---------------------------------|
| N | F_S | R | L | F_S / N | $[DA/B0,1] / 2$ | $F_S \times 2 \times R / L / N$ |
| 4 | 65 MSPS | 18 | 2 | 16.25 MHz | 146.25 MHz | 292.5 MHz |
| | | | 1 | | 292.5 MHz | 585 MHz |
| | 55 MSPS | | 1/2 | 13.75 MHz | 495 MHz | 990 MHz |

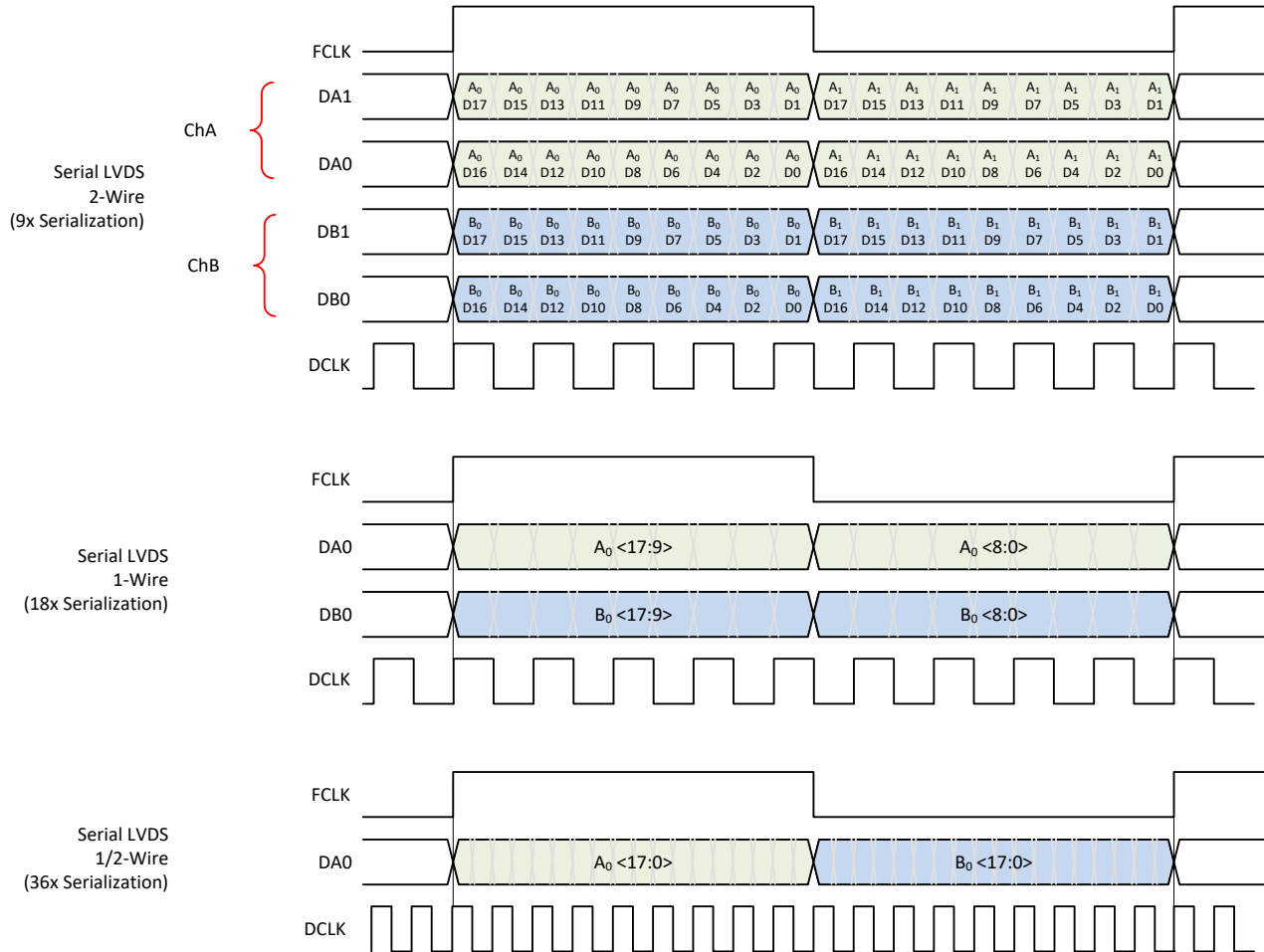


Figure 8-39. Output Data Format in Real Decimation (18-bit Output Resolution)

Table 8-5 illustrates the output interface data rate along with the corresponding DCLK/DCLKIN and FCLK frequencies based on output resolution (R), number of SLVDS lanes (L) and real decimation setting (M).

Furthermore the table shows an actual lane rate example for the 2-, 1- and 1/2-wire interface, 18-bit output resolution and real decimation by 4.

Table 8-5. Serial LVDS Lane Rate Examples with Real Decimation and 18-bit Output Resolution

| DECIMATION SETTING | ADC SAMPLING RATE | OUTPUT RESOLUTION | # of WIRES | FCLK | DCLKIN, DCLK | DA/B0,1 |
|--------------------|-------------------|-------------------|------------|---|-----------------|------------------------|
| M | F_S | R | L | $F_S / M / 2$ (L = 2) F_S / M (L = 1, 1/2) | $[DA/B0,1] / 2$ | $F_S \times R / L / M$ |
| 4 | 65 MSPS | 18 | 2 | 8.125 MHz | 73.125 MHz | 146.25 MHz |
| | | | 1 | 16.25 MHz | 146.25 MHz | 292.5 MHz |
| | | | 1/2 | | 292.5 MHz | 585 MHz |

8.3.5 Digital Interface

The serial LVDS interface supports the data output with 2-wire, 1-wire and 1/2-wire operation. The actual data output rate depends on the output resolution and number of lanes used.

The ADC368x requires an external serial LVDS clock input (DCLKIN), which is used to transmit the data out of the ADC along with the data clock (DCLK). The phase relationship between DCLKIN and the sampling clock is irrelevant but both clocks need to be frequency locked. The SLVDS interface is configured using SPI register writes.

8.3.5.1 Output Formatter

The digital output interface uses a flexible output bit mapper (Figure 8-40). The bit mapper takes the 18-bit output directly from the ADC or from the digital decimation filter block and reformats it to a resolution of 14,16,18 or 20-bit. The output serialization factor is adjusted accordingly for 2-, 1- and 1/2-wire interface modes. The maximum SLVDS interface output data rate can not be exceeded independent of output resolution or serialization factor.

For 14 and 16-bit output resolution, the LSBs are truncated during the reformatting. With 20-bit output, in bypass mode two 0s are added in place of the two LSBs while in decimation mode the digital averaging mode the full 20-bit output is used.

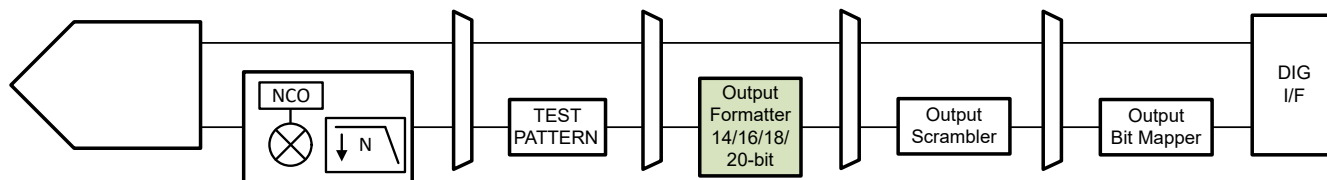


Figure 8-40. Interface output bit mapper

Table 8-6 provides an overview for the resulting serialization factor depending on output resolution and output modes. Note that the DCLKIN frequency needs to be adjusted accordingly as well. Changing the output resolution to 16-bit, 2-wire mode for example results in $DCLKIN = F_S * 4$ instead of $* 4.5$.

Table 8-6. Serialization factor vs output resolution for different output modes

| OUTPUT RESOLUTION | Interface | SERIALIZATION | FCLK | DCLKIN | DCLK | D0/D1 |
|-------------------|-----------|---------------|---------|-------------|-------------|------------|
| 14-bit | 2-Wire | 7x | $F_S/2$ | $F_S * 3.5$ | $F_S * 3.5$ | $F_S * 7$ |
| | 1-Wire | 14x | F_S | $F_S * 7$ | $F_S * 7$ | $F_S * 14$ |
| | 1/2-Wire | 28x | F_S | $F_S * 14$ | $F_S * 14$ | $F_S * 28$ |
| 16-bit | 2-Wire | 8x | $F_S/2$ | $F_S * 4$ | $F_S * 4$ | $F_S * 8$ |
| | 1-Wire | 16x | F_S | $F_S * 8$ | $F_S * 8$ | $F_S * 16$ |
| | 1/2-Wire | 32x | F_S | $F_S * 16$ | $F_S * 16$ | $F_S * 32$ |
| 18-bit (default) | 2-Wire | 9x | $F_S/2$ | $F_S * 4.5$ | $F_S * 4.5$ | $F_S * 9$ |
| | 1-Wire | 18x | F_S | $F_S * 9$ | $F_S * 9$ | $F_S * 18$ |
| | 1/2-Wire | 36x | F_S | $F_S * 18$ | $F_S * 18$ | $F_S * 36$ |
| 20-bit | 2-Wire | 10x | $F_S/2$ | $F_S * 5$ | $F_S * 5$ | $F_S * 10$ |
| | 1-Wire | 20x | F_S | $F_S * 10$ | $F_S * 10$ | $F_S * 20$ |
| | 1/2-Wire | 40x | F_S | $F_S * 20$ | $F_S * 20$ | $F_S * 40$ |

The programming sequence to change the output interface and/or resolution from default settings is shown in Section 8.3.5.4.

8.3.5.2 Output Scrambler

The device includes an optional output scrambler feature. Scrambling is performed on each serial output lane independently. When enabled, the serial output bit stream is scrambled where each output bit is XOR-ed with 2 previous bits (k-14 and k-15) as shown in Figure 8-42. For descrambling, note that the output bit mapper is located after the scrambler.

On the external receiver, the incoming serial data stream can be descrambled by XOR-ing each incoming bit with 2 previous bits (k-14 and k-15).

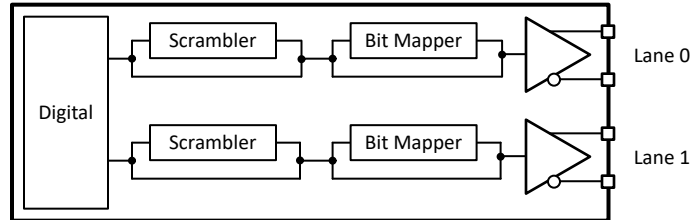


Figure 8-41. Output scrambling per lane

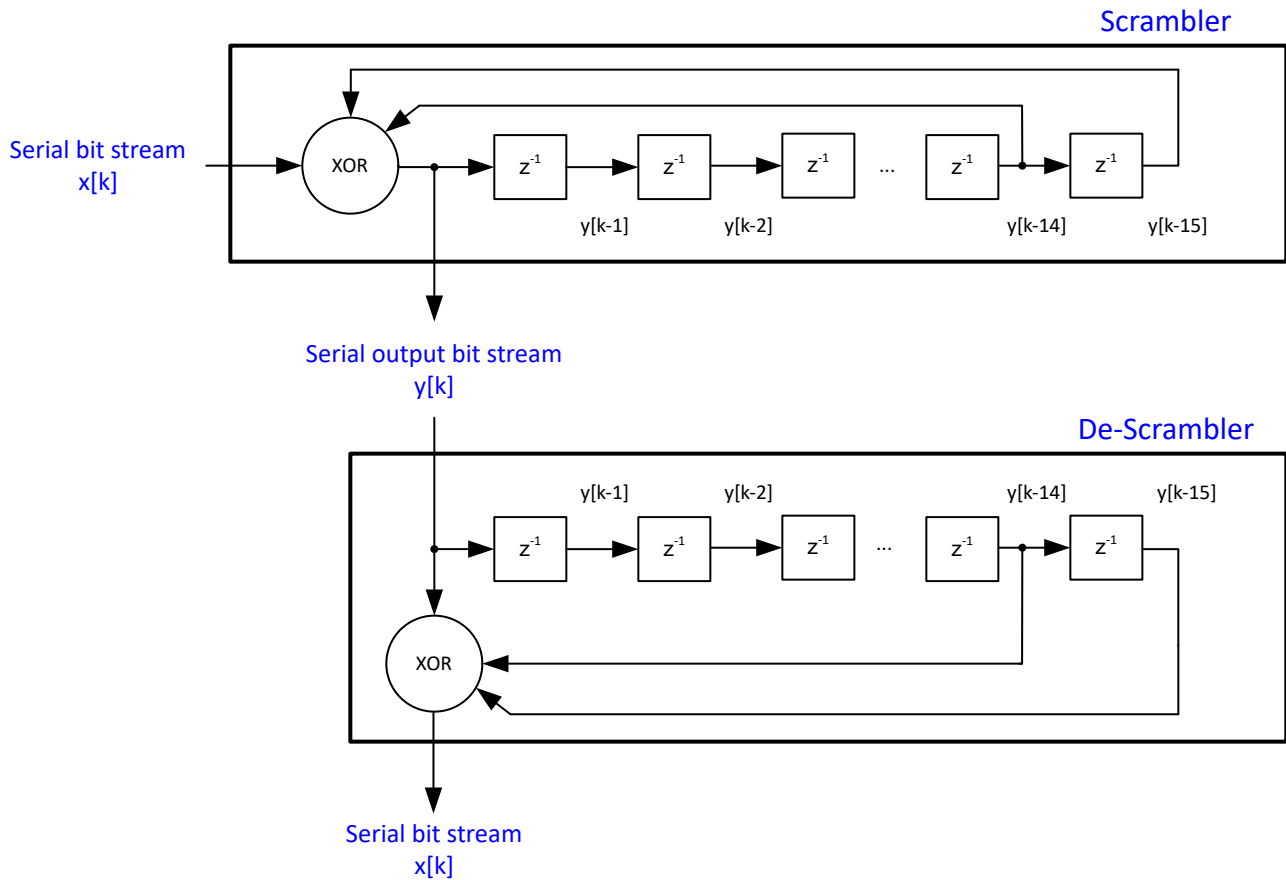


Figure 8-42. Output scrambler and descrambler operation

Scrambling is enabled by disabling digital bypass (register 0x24, D2) and enabling scrambling (register 0x22, D6).

8.3.5.3 Output Bit Mapper

The output bit mapper allows change to the output bit order for any selected interface mode.

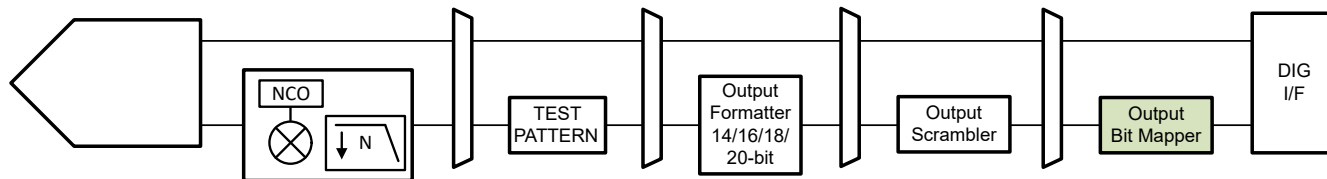


Figure 8-43. Output Bit Mapper

There is a two step process to change the output bit mapping and assemble the output data bus:

1. Both channel A and B can have up to 20-bit output. Each output bit of either channel has a unique identifier bit as shown in [Table 8-7](#). The MSB starts with bit D19, depending on output resolution chosen, the LSB is D6 (14-bit) to D0 (20-bit). The *previous sample* is only needed in 2-w mode.
2. The bit mapper is then used to assemble the output sample. The following sections detail how to remap the serial output format.

Table 8-7. Unique identifier of each data bit

| Bit | Channel A | | Channel B | |
|-----------|---------------------------|----------------|---------------------------|----------------|
| | Previous sample (2w only) | Current sample | Previous sample (2w only) | Current sample |
| D19 (MSB) | 0x2D | 0x6D | 0x29 | 0x69 |
| D18 | 0x2C | 0x6C | 0x28 | 0x68 |
| D17 | 0x27 | 0x67 | 0x23 | 0x63 |
| D16 | 0x26 | 0x66 | 0x22 | 0x62 |
| D15 | 0x25 | 0x65 | 0x21 | 0x61 |
| D14 | 0x24 | 0x64 | 0x20 | 0x60 |
| D13 | 0x1F | 0x5F | 0x1B | 0x5B |
| D12 | 0x1E | 0x5E | 0x1A | 0x5A |
| D11 | 0x1D | 0x5D | 0x19 | 0x59 |
| D10 | 0x1C | 0x5C | 0x18 | 0x58 |
| D9 | 0x17 | 0x57 | 0x13 | 0x53 |
| D8 | 0x16 | 0x56 | 0x12 | 0x52 |
| D7 | 0x15 | 0x55 | 0x11 | 0x51 |
| D6 | 0x14 | 0x54 | 0x10 | 0x50 |
| D5 | 0x0F | 0x4F | 0x0B | 0x4B |
| D4 | 0x0E | 0x4E | 0x0A | 0x4A |
| D3 | 0x0D | 0x4D | 0x09 | 0x49 |
| D2 | 0x0C | 0x4C | 0x08 | 0x48 |
| D1 | 0x07 | 0x47 | 0x03 | 0x43 |
| D0 (LSB) | 0x06 | 0x46 | 0x02 | 0x42 |

In the serial output mode, a data bit (with unique identifier) needs to be assigned to each location within the serial output stream. There are a total of 40 addresses available per channel. Channel A spans from address 0x39 to 0x60 and channel B from address 0x61 to 0x88. When using complex decimation, the output bit mapper is applied to both the “I” and the “Q” sample.

2-wire mode: in this mode, both the current and the previous sample have to be used in the address space as shown in Figure 8-44. The address order is different for 14/18-bit and 16/20-bit. Note: there are unused addresses between samples for resolution less than 20-bit (grey back ground), which can be skipped if not used.

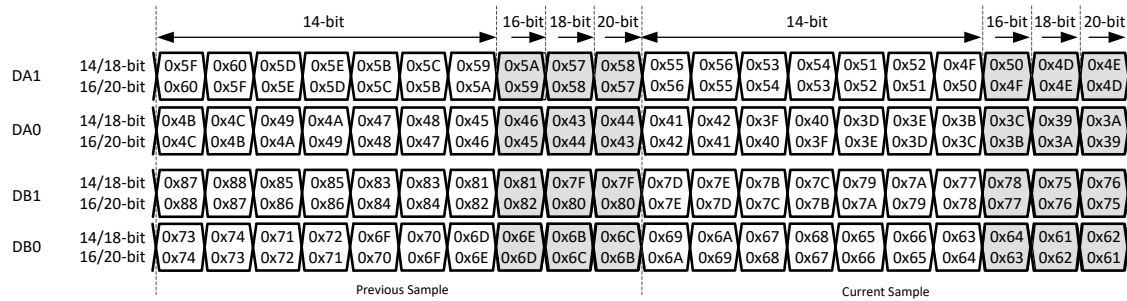


Figure 8-44. 2-wire output bit mapper

In the following example (Figure 8-45), the 16-bit 2-wire serial output is reordered to where lane DA1/DB1 carries the 8 MSB and lane DA0/DB0 carries 8 LSBs.

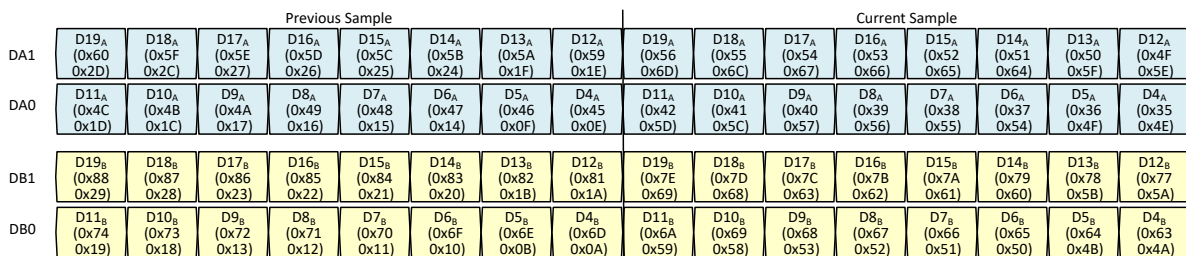


Figure 8-45. Example: 2-wire output bit mapping

1-wire mode: Only the 'current' sample needs to be programmed in the address space. A duplicated can be created on DA1/DB1 as well (using addresses shown below) to have a redundant output. Lane DA1/DB1 needs to be powered up.



Figure 8-46. 1-wire output bit mapping

1/2-wire mode: The output is only lane DA0 and the sample order is programmed into the 40 addresses of chA (from 0x39 to 0x60). This covers 2 samples (one for chA, one for chB) as shown below. A duplicate can be created on DB0 as well (using addresses shown in Figure 8-47) to have a redundant output. Lane DB0 must be powered up.

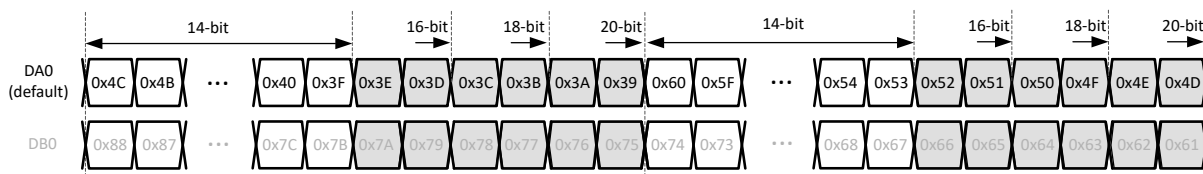


Figure 8-47. 1/2-wire output bit mapping

8.3.5.4 Output Interface/Mode Configuration

The following sequence summarizes all the relevant registers for changing the output interface and/or enabling the decimation filter. Steps 1 and 2 must come first since the E-Fuse load reset the SPI writes, the remaining steps can come in any order.

Table 8-8. Configuration steps for changing interface or decimation

| STEP | FEATURE | ADDRESS | DESCRIPTION | | | | |
|----------|-------------------|--------------------------|--|-------------------|---------------|---------------|---------------|
| 1 | Output Interface | 0x07 | Select the output interface bit mapping depending on resolution and output interface. | | | | |
| | | | Output Resolution | | 2-wire | 1-wire | 1/2-wire |
| | | | 14-bit | 0x2B | 0x6C | 0x8D | |
| | | | 16-bit | 0x4B | | | |
| | | | 18-bit | 0x2B | | | |
| 20-bit | 0x4B | | | | | | |
| 2 | | 0x13 | Load the output interface bit mapping using the E-fuse loader (0x13, D0). Program register 0x13 to 0x01, wait ~ 1ms so that bit mapping is loaded properly followed by 0x13 0x00 | | | | |
| 3 | Output Interface | 0x19 | Configure the FCLK frequency based on bypass/decimation and number of lanes used. | | | | |
| | | | Bypass/Dec | SLVDS | FCLK SRC (D7) | FCLK DIV (D4) | TOG FCLK (D0) |
| | | | Bypass/ Real Decimation | 2-wire | 0 | 1 | 0 |
| | | | | 1-wire | 0 | 0 | 0 |
| | | | | 1/2-wire | 0 | 0 | 0 |
| | | | Complex Decimation | 2-wire | 1 | 0 | 0 |
| | | | | 1-wire | 1 | 0 | 0 |
| 1/2-wire | 0 | 0 | | 1 | | | |
| 4 | | 0x1B | Select the output interface resolution using the bit mapper (D5-D3). | | | | |
| 5 | Output Interface | 0x20 0x21 0x22 | Select the FCLK pattern for decimation for proper duty cycle output of the frame clock. | | | | |
| | | | | Output Resolution | 2-wire | 1-wire | 1/2-wire |
| | | | Real Decimation | 14-bit | use default | 0xFE00 | use default |
| | | | | 16-bit | | 0xFF00 | |
| | | | | 18-bit | | 0xFF80 | |
| | | | | 20-bit | | 0xFFC0 | |
| | | | Complex Decimation | 14-bit | use default | 0xFFFF | 0xFFFF |
| | | | | 16-bit | | | |
| | | | | 18-bit | | | |
| | | | | 20-bit | | | |
| 6 | | 0x39..0x60 0x61..0x88 | Change output bit mapping for chA and chB if desired. This works also with the default interface selection. | | | | |
| 7 | | 0x24 0x22 | Enable scrambling | | | | |
| 8 | | 0x24 | Enable the decimation filter | | | | |
| 9 | | 0x25 | Configure the decimation filter | | | | |
| 10 | | 0x2A/B/C/D 0x31/2/3/4 | Program the NCO frequency for complex decimation (can be skipped for real decimation) | | | | |
| 11 | Decimation Filter | 0x27 0x2E | Configure the complex output data stream (set both bits to 0 for real decimation) | | | | |
| | | | SLVDS | OP-Order (D4) | | Q-Delay (D3) | |
| | | | 2-wire | 1 | | 0 | |
| | | | 1-wire | 0 | | 1 | |
| | | 1/2-wire | 1 | | 1 | | |
| 12 | | 0x26 | Set the mixer gain and toggle the mixer reset bit to update the NCO frequency. | | | | |

8.3.5.4.1 Configuration Example

The following is a step by step programming example to configure the ADC368x to complex decimation by 8 with 1-wire SLVDS and 16-bit output.

1. 0x07 (address) 0x6C (load bit mapper configuration for 16-bit output with 1-wire SLVDS)
2. 0x13 0x01, wait 1 ms, 0x13 0x00 (load e-fuse)
3. 0x19 0x80 (configure FCLK)
4. 0x1B 0x88 (select 16-bit output resolution)
5. 0x20 0xFF, 0x21 0xFF, 0x22 0x0F (configure FCLK pattern)
6. 0x24 0x06 (enable decimation filter)
7. 0x25 0x30 (configure complex decimation by 8)
8. 0x2A/B/C/D and 0x31/32/33/34 (program NCO frequency)
9. 0x27/0x2E 0x08 (configure Q-delay register bit)
10. 0x26 0xAA, 0x26 0x88 (set digital mixer gain to 6-dB and toggle the mixer update)

8.3.5.5 Output Data Format

The output data can be configured to two's complement (default) or offset binary formatting using SPI register writes (register 0x8F and 0x92). Table 8-9 provides an overview for minimum and maximum output codes for the two formatting options. The actual output resolution is set by the output bit mapper.

Table 8-9. Overview of minimum and maximum output codes vs output resolution for different formatting

| RESOLUTION (BIT) | Two's Complement (default) | | | | Offset Binary | | | |
|------------------|----------------------------|--------|---------|---------|---------------|--------|---------|---------|
| | 14 | 16 | 18 | 20 | 14 | 16 | 18 | 20 |
| $V_{IN,MAX}$ | 0x1FFF | 0x7FFF | 0x1FFFF | 0x7FFFF | 0x3FFF | 0xFFFF | 0x3FFFF | 0xFFFFF |
| 0 | 0x0000 | | 0x00000 | | 0x2000 | 0x8000 | 0x20000 | 0x80000 |
| $V_{IN,MIN}$ | 0x2000 | 0x8000 | 0x20000 | 0x80000 | 0x0000 | | 0x00000 | |

8.3.6 Test Pattern

In order to enable in-circuit testing of the digital interface, the following test patterns are supported and enabled via SPI register writes (0x14/0x15/0x16). The test pattern generator is located after the decimation filter as shown in Figure 8-48. In decimation mode (real and complex), the test patterns replace the output data of the DDC - however channel A controls the test patterns for both channels.

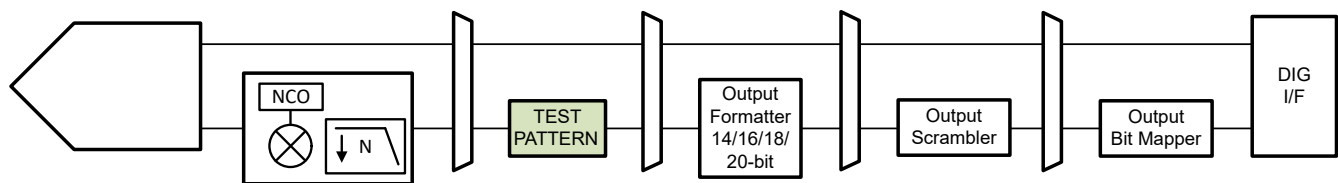


Figure 8-48. Test Pattern Generator

- RAMP Pattern: The step size needs to be configured in the CUSTOM PAT register according to the native resolution of the ADC. When selecting a higher output resolution then the additional LSBs will still be 0 in RAMP pattern mode.
 - 00001: 18-bit output resolution
 - 00100: 16-bit output resolution
 - 10000: 14-bit output resolution
- Custom Pattern: Configured in the CUSTOM PAT register

8.4 Device Functional Modes

8.4.1 Normal Operation

In normal operating mode, the entire ADC full-scale range gets converted to a digital output with 18-bit resolution.

8.4.2 Power Down Options

A global power down mode can be enabled via SPI as well as using the power down pin (PDN/SYNC). There is an internal pull-down 21 kΩ resistor on the PDN/SYNC input pin and the pin is active high - so the pin needs to be pulled high externally to enter global power down mode.

The SPI register map provides the capability to enable/disable individual blocks directly or via PDN pin mask in order to trade off power consumption vs wake up time as shown in [Table 8-10](#).

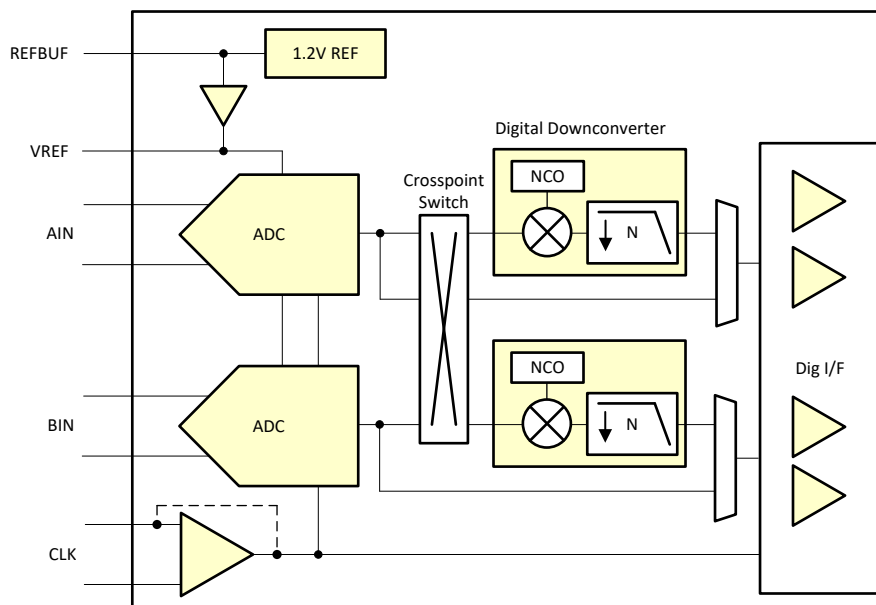


Figure 8-49. Power Down Configurations

Table 8-10. Overview of Power Down Options

| Function/ Register | PDN via SPI | Mask for Global PDN | Feature - Default | Power Impact | Wake-up time | Comment |
|--------------------------|-------------|---------------------|--------------------|----------------------|--------------|--|
| ADC | Yes | - | Enabled | | | Both ADC channels are included in Global PDN automatically |
| Reference gain amplifier | Yes | Yes | Enabled | ~ 0.4 mA | ~3 us | Should only be powered down in power down state. |
| Internal 1.2V reference | Yes | | External ref | ~ 1-3.5 mA | ~3 ms | Internal/external reference selection is available through SPI and REFBUF pin. |
| Clock buffer | Yes | | Differential clock | ~ 1 mA | n/a | Single ended clock input saves ~ 1mA compared to differential. Some programmability is available through the REFBUF pin. |
| Output interface drivers | Yes | - | Enabled | varies | n/a | Depending on output interface mode, unused output drivers can be powered down for maximum power savings |
| Decimation filter | Yes | - | Disabled | see electrical table | n/a | |

8.4.3 Digital Channel Averaging

The ADC368x includes a digital channel averaging feature which enables improvement of the ADC dynamic range (see [Figure 8-50](#)). The same input signal is given to both ADC inputs externally and the output of the two ADCs is averaged internally. By averaging, uncorrelated noise (e.g. ADC thermal noise) improves 3-dB while correlated noise (e.g. jitter in the clock path, reference noise) is unaffected. Therefore the averaging gives close to 3-dB improvement at low input frequencies but less at high input frequencies where clock jitter dominates the SNR.

The output from the digital averaging block is given out on the digital outputs of channel A or alternatively can be routed to the digital decimation filters using the digital mux.

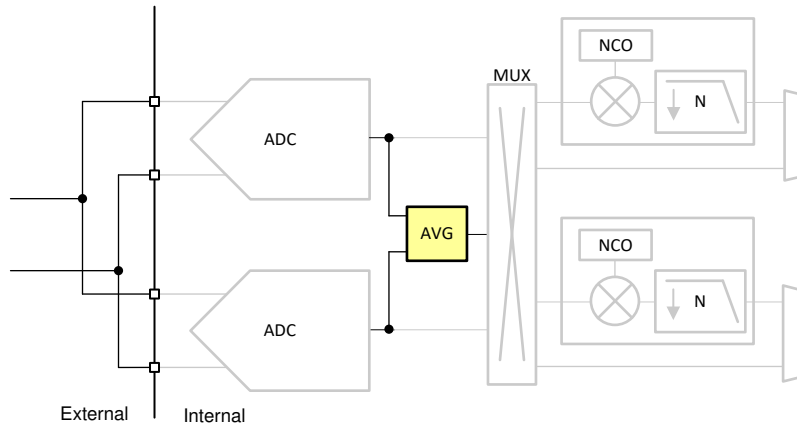


Figure 8-50. Digital Channel Averaging Diagram

8.5 Programming

The device is primarily configured and controlled using the serial programming interface (SPI); however, the device can operate in a default configuration without requiring the SPI interface. Also, the power down function and internal or external reference configuration is possible via pin control (PDN/SYNC and REFBUF pin).

Note

The power down command (via PIN or SPI) only goes in effect with the ADC sampling clock present.

After initial power up, the default operating configuration for each device is shown in [Table 8-11](#).

Table 8-11. Default device configuration after power up

| FEATURE | ADC3681 | ADC3682 | ADC3683 |
|---------------|---------------|---------|----------|
| Signal Input | Differential | | |
| Auto-zero | Enabled | Enabled | Disabled |
| Clock Input | Differential | | |
| Reference | External | | |
| Decimation | DDC bypass | | |
| Interface | 1-wire | 1-wire | 2-wire |
| Output Format | 2s complement | | |

8.5.1 Configuration using PINs only

The ADC voltage reference can be selected using the REFBUF pin. Even though there is an internal 100 k Ω pull-up resistor to AVDD, the REFBUF pin should be set to a voltage externally and not left floating. When using a voltage divider to set the REFBUF voltage (R1 and R2 in [Figure 8-51](#)), resistor values < 5 k Ω should be used.

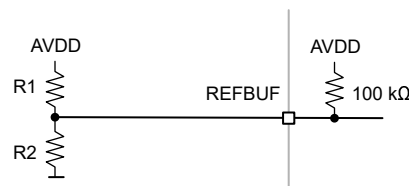


Figure 8-51. Configuration of external voltage on REFBUF pin

Table 8-12. REFBUF voltage levels control voltage reference selection

| REFBUF VOLTAGE | VOLTAGE REFERENCE OPTION | CLOCKING OPTION |
|--------------------|--|--------------------------|
| > 1.7 V (Default) | External reference | Differential clock input |
| 1.2 V (1.15-1.25V) | External 1.2V input on REFBUF pin using internal gain buffer | Differential clock input |
| 0.5 - 0.7V | Internal reference | Differential clock input |
| < 0.1V | Internal reference | Single ended clock input |

8.5.2 Configuration using the SPI interface

The device has a set of internal registers that can be accessed by the serial interface formed by the SEN (serial interface enable), SCLK (serial interface clock) and SDIO (serial interface data input/output) pins. Serially shifting bits into the device is enabled when SEN is low. Serial data input are latched at every SCLK rising edge when SEN is active (low). The serial data are loaded into the register at every 24th SCLK rising edge when SEN is low. When the word length exceeds a multiple of 24 bits, the excess bits are ignored. Data can be loaded in multiples of 24-bit words within a single active SEN pulse. The interface can function with SCLK frequencies from 12 MHz down to very low speeds (of a few hertz) and also with a non-50% SCLK duty cycle.

8.5.2.1 Register Write

The internal registers can be programmed following these steps:

1. Drive the SEN pin low
2. Set the R/W bit to 0 (bit A15 of the 16-bit address) and bits A[14:12] in address field to 0.
3. Initiate a serial interface cycle by specifying the address of the register (A[11:0]) whose content is written and
4. Write the 8-bit data that are latched in on the SCLK rising edges

Figure 8-52 shows the timing requirements for the serial register write operation.

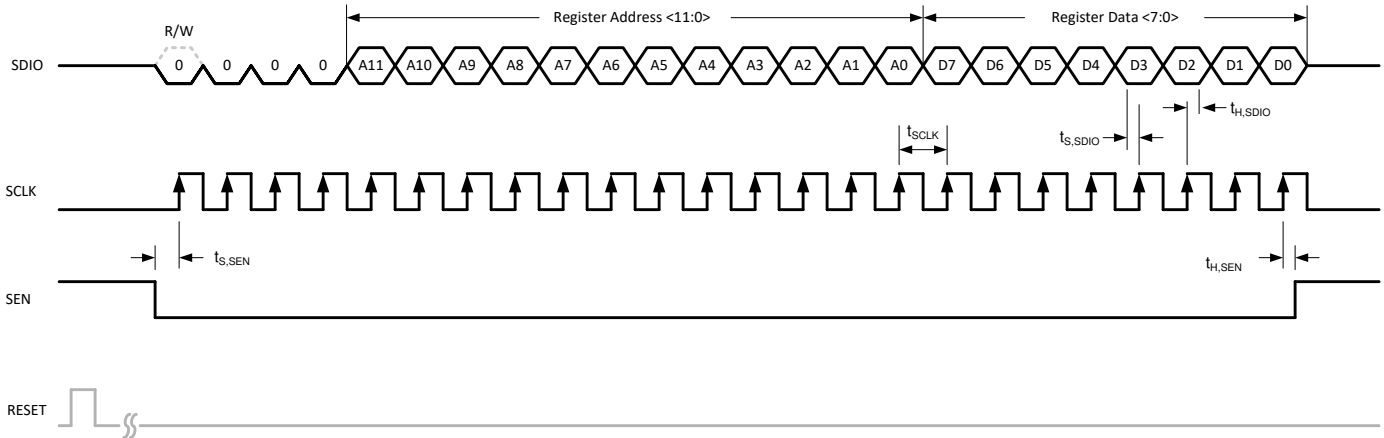


Figure 8-52. Serial Register Write Timing Diagram

8.5.2.2 Register Read

The device includes a mode where the contents of the internal registers can be read back using the SDIO pin. This readback mode can be useful as a diagnostic check to verify the serial interface communication between the external controller and the ADC. The procedure to read the contents of the serial registers is as follows:

1. Drive the SEN pin low
2. Set the R/W bit (A15) to 1. This setting disables any further writes to the registers. Set A[14:12] in address field to 0.
3. Initiate a serial interface cycle specifying the address of the register (A[11:0]) whose content must be read
4. The device launches the contents (D[7:0]) of the selected register on the SDIO pin on SCLK falling edge
5. The external controller can capture the contents on the SCLK rising edge

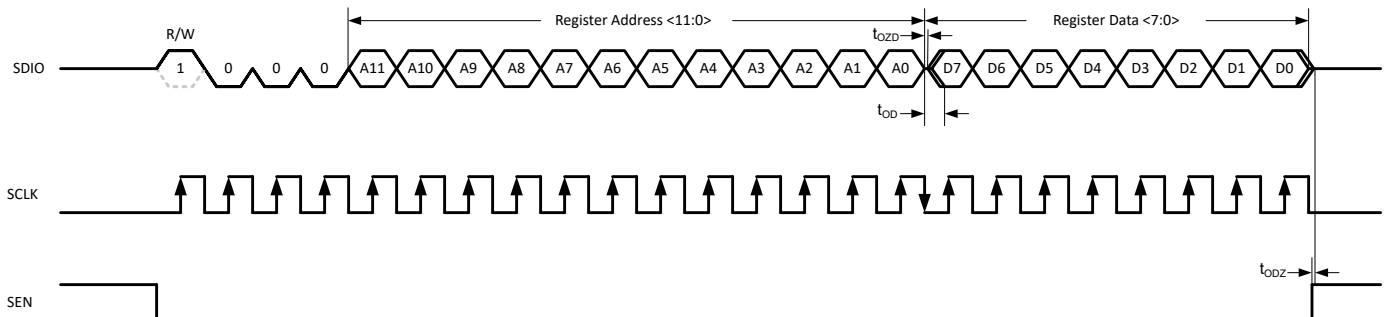


Figure 8-53. Serial Register Read Timing Diagram

8.6 Register Map

Table 8-13. Register Map Summary

| REGISTER ADDRESS | REGISTER DATA | | | | | | | |
|------------------|-----------------------|--------------|----------------|-------------|------------------|---------------|--------------------|------------|
| A[11:0] | D7 | D6 | D5 | D4 | D3 | D2 | D1 | D0 |
| 0x00 | 0 | 0 | 0 | 0 | 0 | 0 | 0 | RESET |
| 0x07 | OP IF MAPPER | | | 0 | OP IF EN | OP IF SEL | | |
| 0x08 | 0 | 0 | PDN CLKBUF | PDN REFAMP | 0 | PDN A | PDN B | PDN GLOBAL |
| 0x09 | 0 | 0 | PDN FCLKOUT | PDN DCLKOUT | PDN DA1 | PDN DA0 | PDN DB1 | PDN DB0 |
| 0x0D | 0 | 0 | 0 | 0 | MASK CLKBUF | MASK REFAMP | MASK BG DIS | 0 |
| 0x0E | SYNC PIN EN | SPI SYNC | SPI SYNC EN | 0 | REF CTRL | REF SEL | | SE CLK EN |
| 0x11 | 0 | 0 | 0 | 0 | 0 | DLL PDN | 0 | AZ EN |
| 0x13 | 0 | 0 | 0 | 0 | 0 | 0 | 0 | E-FUSE LD |
| 0x14 | CUSTOM PAT [7:0] | | | | | | | |
| 0x15 | CUSTOM PAT [15:8] | | | | | | | |
| 0x16 | TEST PAT B | | | TEST PAT A | | | CUSTOM PAT [17:16] | |
| 0x19 | FCLK SRC | 0 | 0 | FCLK DIV | 0 | 0 | 0 | TOG FCLK |
| 0x1A | 0 | LVDS ½ SWING | 0 | 0 | 0 | 0 | 0 | 0 |
| 0x1B | MAPPER EN | 20B EN | BIT MAPPER RES | | | 0 | 0 | 0 |
| 0x1E | 0 | 0 | 0 | 0 | LVDS DATA DEL | | LVDS DCLK DEL | |
| 0x20 | FCLK PAT [7:0] | | | | | | | |
| 0x21 | FCLK PAT [15:8] | | | | | | | |
| 0x22 | 0 | SCR EN | 0 | 0 | FCLK PAT [19:16] | | | |
| 0x24 | 0 | 0 | CH AVG EN | DDC MUX | | DIG BYP | DDC EN | 0 |
| 0x25 | DDC MUX EN | DECIMATION | | | REAL OUT | 0 | 0 | MIX PHASE |
| 0x26 | MIX GAIN A | | MIX RES A | FS/4 MIX A | MIX GAIN B | | MIX RES B | FS/4 MIX B |
| 0x27 | 0 | 0 | 0 | OP ORDER A | Q-DEL A | FS/4 MIX PH A | 0 | 0 |
| 0x2A | NCO A [7:0] | | | | | | | |
| 0x2B | NCO A [15:8] | | | | | | | |
| 0x2C | NCO A [23:16] | | | | | | | |
| 0x2D | NCO A [31:24] | | | | | | | |
| 0x2E | 0 | 0 | 0 | OP ORDER B | Q-DEL B | FS/4 MIX PH B | 0 | 0 |
| 0x31 | NCO B [7:0] | | | | | | | |
| 0x32 | NCO B [15:8] | | | | | | | |
| 0x33 | NCO B [23:16] | | | | | | | |
| 0x34 | NCO B [31:24] | | | | | | | |
| 0x39..0x60 | OUTPUT BIT MAPPER CHA | | | | | | | |
| 0x61..0x88 | OUTPUT BIT MAPPER CHB | | | | | | | |
| 0x8F | 0 | 0 | 0 | 0 | 0 | 0 | FORMAT A | 0 |
| 0x92 | 0 | 0 | 0 | 0 | 0 | 0 | FORMAT B | 0 |

8.6.1 Detailed Register Description

Figure 8-54. Register 0x00

| 7 | 6 | 5 | 4 | 3 | 2 | 1 | 0 |
|-------|-------|-------|-------|-------|-------|-------|-------|
| 0 | 0 | 0 | 0 | 0 | 0 | 0 | RESET |
| R/W-0 | R/W-0 | R/W-0 | R/W-0 | R/W-0 | R/W-0 | R/W-0 | R/W-0 |

Table 8-14. Register 0x00 Field Descriptions

| Bit | Field | Type | Reset | Description |
|-----|-------|------|-------|--|
| 7-1 | 0 | R/W | 0 | Must write 0 |
| 0 | RESET | R/W | 0 | This bit resets all internal registers to the default values and self clears to 0. |

Figure 8-55. Register 0x07

| 7 | 6 | 5 | 4 | 3 | 2 | 1 | 0 |
|--------------|-------|-------|-------|----------|-----------|-------|-------|
| OP IF MAPPER | | | 0 | OP IF EN | OP IF SEL | | |
| R/W-0 | R/W-0 | R/W-0 | R/W-0 | R/W-0 | R/W-0 | R/W-0 | R/W-0 |

Table 8-15. Register 0x07 Field Descriptions

| Bit | Field | Type | Reset | Description |
|-----|--------------|------|-------|--|
| 7-5 | OP IF MAPPER | R/W | 000 | Output interface mapper. This register contains the proper output interface bit mapping for the different interfaces. The interface bit mapping is internally loaded from e-fuses and also requires a fuse load command to go into effect (0x13, D0). Register 0x07 along with the E-Fuse Load (0x13, D0) needs to be loaded first in the programming sequence since the E-Fuse load resets the SPI writes. After initial reset the default output interface variant is loaded automatically from fuse internally. However when reading back this register reads 000 until a value is written using SPI. 001: 2-wire, 18 and 14-bit 010: 2-wire, 16-bit 011: 1-wire 100: 0.5-wire others: not used |
| 4 | 0 | R/W | 0 | Must write 0 |
| 3 | OP IF EN | R/W | 0 | Enables changing the default output interface mode (D2-D0). |
| 2-0 | OP IF SEL | R/W | 000 | Selection of the output interface mode. OP IF EN (D3) needs to be enabled also. After initial reset the default output interface is loaded automatically from fuse internally. However when reading back this register reads 000 until a value is written using SPI. 011: 2-wire 100: 1-wire 101: 0.5-wire others: not used |

Figure 8-56. Register 0x08

| 7 | 6 | 5 | 4 | 3 | 2 | 1 | 0 |
|-------|-------|------------|------------|-------|-------|-------|------------|
| 0 | 0 | PDN CLKBUF | PDN REFAMP | 0 | PDN A | PDN B | PDN GLOBAL |
| R/W-0 | R/W-0 | R/W-0 | R/W-0 | R/W-0 | R/W-0 | R/W-0 | R/W-0 |

Table 8-16. Register 0x08 Field Descriptions

| Bit | Field | Type | Reset | Description |
|-----|------------|------|-------|---|
| 7-6 | 0 | R/W | 0 | Must write 0 |
| 5 | PDN CLKBUF | R/W | 0 | Powers down sampling clock buffer 0: Clock buffer enabled 1: Clock buffer powered down |
| 4 | PDN REFAMP | R/W | 0 | Powers down internal reference gain amplifier 0: REFAMP enabled 1: REFAMP powered down |
| 3 | 0 | R/W | 0 | Must write 0 |
| 2 | PDN B | R/W | 0 | Powers down ADC channel A 0: ADC channel A enabled 1: ADC channel A powered down |
| 1 | PDN A | R/W | 0 | Powers down ADC channel B 0: ADC channel B enabled 1: ADC channel B powered down |
| 0 | PDN GLOBAL | R/W | 0 | Global power down via SPI 0: Global power disabled 1: Global power down enabled. Power down mask (register 0x0D) determines which internal blocks are powered down. |

Figure 8-57. Register 0x09

| 7 | 6 | 5 | 4 | 3 | 2 | 1 | 0 |
|-------|-------|-------------|-------------|---------|---------|---------|---------|
| 0 | 0 | PDN FCLKOUT | PDN DCLKOUT | PDN DA1 | PDN DA0 | PDN DB1 | PDN DB0 |
| R/W-0 | R/W-0 | R/W-0 | R/W-0 | R/W-0 | R/W-0 | R/W-0 | R/W-0 |

Table 8-17. Register 0x09 Field Descriptions

| Bit | Field | Type | Reset | Description |
|-----|-------------|------|-------|---|
| 7-6 | 0 | R/W | 0 | Must write 0 |
| 5 | PDN FCLKOUT | R/W | 0 | Powers down frame clock (FCLK) LVDS output buffer 0: FCLK output buffer enabled 1: FCLK output buffer powered down |
| 4 | PDN DCLKOUT | R/W | 0 | Powers down DCLK LVDS output buffer 0: DCLK output buffer enabled 1: DCLK output buffer powered down |
| 3 | PDN DA1 | R/W | 0 | Powers down LVDS output buffer for channel A, lane 1. NOT powered down automatically in 1-wire and 1/2-wire mode. 0: DA1 LVDS output buffer enabled 1: DA1 LVDS output buffer powered down |
| 2 | PDN DA0 | R/W | 0 | Powers down LVDS output buffer for channel A, lane 0. 0: DA0 LVDS output buffer enabled 1: DA0 LVDS output buffer powered down |
| 1 | PDN DB1 | R/W | 0 | Powers down LVDS output buffer for channel B, lane 1. NOT powered down automatically in 1-wire and 1/2-wire mode. 0: DB1 LVDS output buffer enabled 1: DB1 LVDS output buffer powered down |
| 0 | PDN DB0 | R/W | 0 | Powers down LVDS output buffer for channel B, lane 0. NOT powered down automatically in 1/2-wire mode. 0: DB0 LVDS output buffer enabled 1: DB0 LVDS output buffer powered down |

Figure 8-58. Register 0x0D (PDN GLOBAL MASK)

| | | | | | | | |
|-------|-------|-------|-------|-------------|-------------|-------------|-------|
| 7 | 6 | 5 | 4 | 3 | 2 | 1 | 0 |
| 0 | 0 | 0 | 0 | MASK CLKBUF | MASK REFAMP | MASK BG DIS | 0 |
| R/W-0 | R/W-0 | R/W-0 | R/W-0 | R/W-0 | R/W-0 | R/W-0 | R/W-0 |

Table 8-18. Register 0x0D Field Descriptions

| Bit | Field | Type | Reset | Description |
|-----|-------------|------|-------|--|
| 7-4 | 0 | R/W | 0 | Must write 0 |
| 3 | MASK CLKBUF | R/W | 0 | Global power down mask control for sampling clock input buffer. 0: Clock buffer will get powered down when global power down is exercised. 1: Clock buffer will NOT get powered down when global power down is exercised. |
| 2 | MASK REFAMP | R/W | 0 | Global power down mask control for reference amplifier. 0: Reference amplifier will get powered down when global power down is exercised. 1: Reference amplifier will NOT get powered down when global power down is exercised. |
| 1 | MASK BG DIS | R/W | 0 | Global power down mask control for internal 1.2V bandgap voltage reference. Setting this bit reduces power consumption in global power down mode but increases the wake up time. See the power down option overview. 0: Internal 1.2V bandgap voltage reference will NOT get powered down when global power down is exercised. 1: Internal 1.2V bandgap voltage reference will get powered down when global power down is exercised. |
| 0 | 0 | R/W | 0 | Must write 0 |

Figure 8-59. Register 0x0E

| 7 | 6 | 5 | 4 | 3 | 2 | 1 | 0 |
|-------------|----------|-------------|-------|---------|---------|-------|-----------|
| SYNC PIN EN | SPI SYNC | SPI SYNC EN | 0 | REF CTL | REF SEL | | SE CLK EN |
| R/W-0 | R/W-0 | R/W-0 | R/W-0 | R/W-0 | R/W-0 | R/W-0 | R/W-0 |

Table 8-19. Register 0x0E Field Descriptions

| Bit | Field | Type | Reset | Description |
|-----|-------------|------|-------|---|
| 7 | SYNC PIN EN | R/W | 0 | This bit controls the functionality of the SYNC/PDN pin. 0: SYNC/PDN pin exercises global power down mode when pin is pulled high. 1: SYNC/PDN pin issues the SYNC command when pin is pulled high. |
| 6 | SPI SYNC | R/W | 0 | toggling this bit issues the SYNC command using the SPI register write. SYNC using SPI must be enabled as well (D5). This bit doesn't self reset to 0. 0: Normal operation 1: SYNC command issued. |
| 5 | SPI SYNC EN | R/W | 0 | This bit enables synchronization using SPI instead of the SYNC/PDN pin. 0: Synchronization using SPI register bit disabled. 1: Synchronization using SPI register bit enabled. |
| 4 | 0 | R/W | 0 | Must write 0 |
| 3 | REF CTL | R/W | 0 | This bit determines if the REFBUF pin controls the voltage reference selection or the SPI register (D2-D1). 0: The REFBUF pin selects the voltage reference option. 1: Voltage reference is selected using SPI (D2-D1) and single ended clock using D0. |
| 2-1 | REF SEL | R/W | 00 | Selects of the voltage reference option. REF CTRL (D3) must be set to 1. 00: Internal reference 01: External voltage reference (1.2V) using internal reference buffer (REFBUF) 10: External voltage reference 11: not used |
| 0 | SE CLK EN | R/W | 0 | Selects single ended clock input and powers down the differential sampling clock input buffer. REF CRTL (D3) must be set to 1. 0: Differential clock input 1: Single ended clock input |

Figure 8-60. Register 0x11

| | | | | | | | |
|-------|-------|-------|-------|-------|---------|-------|-------|
| 7 | 6 | 5 | 4 | 3 | 2 | 1 | 0 |
| 0 | 0 | 0 | 0 | 0 | DLL PDN | 0 | AZ EN |
| R/W-0 | R/W-0 | R/W-0 | R/W-0 | R/W-0 | R/W-0 | R/W-0 | R/W-0 |

Table 8-20. Register 0x11 Field Descriptions

| Bit | Field | Type | Reset | Description |
|-----|---------|------|-------|--|
| 7-3 | 0 | R/W | 0 | Must write 0 |
| 2 | DLL PDN | R/W | 0 | This register applies ONLY to the ADC3683. It powers down the internal DLL, which is used to adjust the sampling time. This register must only be enabled when operating at sampling rates below 40 MSPS. When DLL PDN bit is enabled the sampling time is directly dependent on sampling clock duty cycle (with a 50/50 duty the sampling time is $T_S/2$). 0: Sampling time is $T_S/4$ 1: Sampling time is $T_S/2$ (only for sampling rates below 40 MSPS). |
| 1 | 0 | R/W | 0 | Must write 0 |
| 0 | AZ EN | R/W | 0 | This bit enables the internal auto-zero circuitry. It is enabled by default for the ADC3681/82 and disabled for the ADC3683. ADC3681/82: 0: Auto-zero enabled 1: Auto-zero disabled ADC3683: 0: Auto-zero disabled 1: Auto-zero enabled |

Figure 8-61. Register 0x13

| | | | | | | | |
|-------|-------|-------|-------|-------|-------|-------|-----------|
| 7 | 6 | 5 | 4 | 3 | 2 | 1 | 0 |
| 0 | 0 | 0 | 0 | 0 | 0 | | E-FUSE LD |
| R/W-0 | R/W-0 | R/W-0 | R/W-0 | R/W-0 | R/W-0 | R/W-0 | R/W-0 |

Table 8-21. Register 0x13 Field Descriptions

| Bit | Field | Type | Reset | Description |
|-----|-----------|------|-------|--|
| 7-1 | 0 | R/W | 0 | Must write 0 |
| 0 | E-FUSE LD | R/W | 0 | This register bit loads the internal bit mapping for different interfaces. After setting the interface in register 0x07, this E-FUSE LD bit needs to be set to 1 and reset to 0 for loading to go into effect. Register 0x07 along with the E-Fuse Load (0x13, D0) needs to be loaded first in the programming sequence since the E-Fuse load resets the SPI writes. 0: E-FUSE LOAD set 1: E-FUSE LOAD reset |

Figure 8-62. Register 0x14/15/16

| | | | | | | | |
|-------------------|-------|-------|------------|-------|-------|--------------------|-------|
| 7 | 6 | 5 | 4 | 3 | 2 | 1 | 0 |
| CUSTOM PAT [7:0] | | | | | | | |
| CUSTOM PAT [15:8] | | | | | | | |
| TEST PAT B | | | TEST PAT A | | | CUSTOM PAT [17:16] | |
| R/W-0 | R/W-0 | R/W-0 | R/W-0 | R/W-0 | R/W-0 | R/W-0 | R/W-0 |

Table 8-22. Register 0x14/15/16 Field Descriptions

| Bit | Field | Type | Reset | Description |
|-----|-------------------|------|----------|---|
| 7-0 | CUSTOM PAT [17:0] | R/W | 00000000 | <p>This register is used for two purposes:</p> <ul style="list-style-type: none"> It sets the constant custom pattern starting from MSB It sets the RAMP pattern increment step size. <p>00001: Ramp pattern for 18-bit ADC 00100: Ramp pattern for 16-bit ADC 10000: Ramp pattern for 14-bit ADC</p> |
| 7-5 | TEST PAT B | R/W | 000 | <p>Enables test pattern output mode for channel B (NOTE: The test pattern is set prior to the bit mapper and is based on native resolution of the ADC starting from the MSB). These work in either output format.</p> <p>000: Normal output mode (test pattern output disabled) 010: Ramp pattern: need to set proper increment using CUSTOM PAT register 011: Constant Pattern using CUSTOM PAT [17:0] in register 0x14/15/16. others: not used</p> |
| 4-2 | TEST PAT A | R/W | 000 | <p>Enables test pattern output mode for channel A (NOTE: The test pattern is set prior to the bit mapper and is based on native resolution of the ADC starting from the MSB). These work in either output format.</p> <p>000: Normal output mode (test pattern output disabled) 010: Ramp pattern: need to set proper increment using CUSTOM PAT register 011: Constant Pattern using CUSTOM PAT [17:0] in register 0x14/15/16. others: not used</p> |

Figure 8-63. Register 0x19

| | | | | | | | |
|----------|-------|-------|----------|-------|-------|-------|----------|
| 7 | 6 | 5 | 4 | 3 | 2 | 1 | 0 |
| FCLK SRC | 0 | 0 | FCLK DIV | 0 | 0 | 0 | TOG FCLK |
| R/W-0 | R/W-0 | R/W-0 | R/W-0 | R/W-0 | R/W-0 | R/W-0 | R/W-0 |

Table 8-23. Register 0x19 Field Descriptions

| Bit | Field | Type | Reset | Description |
|-----|----------|------|-------|--|
| 7 | FCLK SRC | R/W | 0 | User has to select if FCLK signal comes from ADC or from DDC block. Here real decimation is treated same as bypass mode 0: FCLK generated from ADC. FCLK SRC set to 0 for DDC bypass, real decimation mode and 1/2-w complex decimation mode. 1: FCLK generated from DDC block. In complex decimation mode only this bit needs to be set for 2-w and 1-w output interface mode but NOT for 1/2-w mode. |
| 6-5 | 0 | R/W | 0 | Must write 0 |
| 4 | FCLK DIV | R/W | 0 | This bit needs to be set to 1 for 2-w output mode in bypass/real decimation mode only . 0: All output interface modes except 2-w decimation bypass and real decimation mode. 1: 2-w output interface mode for decimation bypass and real decimation. |
| 3-1 | 0 | R/W | 0 | Must write 0 |
| 0 | TOG FCLK | R/W | 0 | This bit adjusts the FCLK signal appropriately for 1/2-wire mode where FCLK is stretched to cover channel A and channel B. This bit ONLY needs to be set in 1/2-wire mode with complex decimation mode. 0: all other modes. 1: FCLK for 1/2-wire complex decimation mode. |

Table 8-24. Configuration of FCLK SRC and FCLK DIV Register Bits vs Serial Interface

| BYPASS/DECIMATION | SERIAL INTERFACE | FCLK SRC | FCLK DIV | TOG FCLK |
|------------------------------------|------------------|----------|----------|----------|
| Decimation Bypass/ Real Decimation | 2-wire | 0 | 1 | 0 |
| | 1-wire | 0 | 0 | 0 |
| | 1/2-wire | 0 | 0 | 0 |
| Complex Decimation | 2-wire | 1 | 0 | 0 |
| | 1-wire | 1 | 0 | 0 |
| | 1/2-wire | 0 | 0 | 1 |

Figure 8-64. Register 0x1A

| | | | | | | | |
|-------|--------------|-------|-------|-------|-------|-------|-------|
| 7 | 6 | 5 | 4 | 3 | 2 | 1 | 0 |
| 0 | LVDS ½ SWING | 0 | 0 | 0 | 0 | 0 | 0 |
| R/W-0 | R/W-0 | R/W-0 | R/W-0 | R/W-0 | R/W-0 | R/W-0 | R/W-0 |

Table 8-25. Register 0x1A Field Descriptions

| Bit | Field | Type | Reset | Description |
|-----|--------------|------|-------|--|
| 7 | 0 | R/W | 0 | Must write 0 |
| 6 | LVDS ½ SWING | R/W | 0 | This bit reduces the LVDS output current from 3.5mA to 1.75mA which reduces power consumption. |
| 5-0 | 0 | R/W | 0 | Must write 0 |

Figure 8-65. Register 0x1B

| | | | | | | | |
|-----------|--------|----------------|-------|-------|-------|-------|-------|
| 7 | 6 | 5 | 4 | 3 | 2 | 1 | 0 |
| MAPPER EN | 20B EN | BIT MAPPER RES | | | 0 | 0 | 0 |
| R/W-0 | R/W-0 | R/W-0 | R/W-0 | R/W-0 | R/W-0 | R/W-0 | R/W-0 |

Table 8-26. Register 0x1B Field Descriptions

| Bit | Field | Type | Reset | Description |
|-----|----------------|------|-------|---|
| 7 | MAPPER EN | R/W | 0 | This bit enables changing the resolution of the output (including output serialization factor) in bypass mode only. This bit is not needed for 20-bit resolution output. 0: Output bit mapper disabled. 1: Output bit mapper enabled. |
| 6 | 20B EN | R/W | 0 | This bit enables 20-bit output resolution which can be useful for very high decimation settings so that quantization noise doesn't impact the ADC performance. 0: 20-bit output resolution disabled. 1: 20-bit output resolution enabled. |
| 5-3 | BIT MAPPER RES | R/W | 000 | Sets the output resolution using the bit mapper. MAPPER EN bit (D6) needs to be enabled when operating in bypass mode.. 000: 18 bit 001: 16 bit 010: 14 bit all others, n/a |
| 2-0 | 0 | R/W | 0 | Must write 0 |

Table 8-27. Register Settings for Output Bit Mapper vs Operating Mode

| BYPASS/DECIMATION | OUTPUT RESOLUTION | MAPPER EN (D7) | BIT MAPPER RES (D5-D3) |
|--------------------|------------------------------------|----------------|---|
| Decimation Bypass | Resolution Change | 1 | 000: 18-bit 001: 16-bit 010: 14-bit |
| Real Decimation | Resolution Change (default 18-bit) | 0 | |
| Complex Decimation | | 0 | |

Figure 8-66. Register 0x1E

| | | | | | | | |
|-------|-------|-------|-------|---------------|-------|---------------|-------|
| 7 | 6 | 5 | 4 | 3 | 2 | 1 | 0 |
| 0 | 0 | 0 | 0 | LVDS DATA DEL | | LVDS DCLK DEL | |
| R/W-0 | R/W-0 | R/W-0 | R/W-0 | R/W-0 | R/W-0 | R/W-0 | R/W-0 |

Table 8-28. Register 0x1E Field Descriptions

| Bit | Field | Type | Reset | Description |
|-----|---------------|------|-------|--|
| 7-4 | 0 | R/W | 0 | Must write 0 |
| 3-2 | LVDS DATA DEL | R/W | 00 | These bits adjust the output timing of the SLVDS output data. 00: no delay 01: Data advanced by 50 ps 10: Data delayed by 50 ps 11: Data delayed by 100 ps |
| 1-0 | LVDS DCLK DEL | R/W | 00 | These bits adjust the output timing of the SLVDS DCLK output. 00: no delay 01: DCLK advanced by 50 ps 10: DCLK delayed by 50 ps 11: DCLK delayed by 100 ps |

Figure 8-67. Register 0x20/21/22

| | | | | | | | |
|-----------------|--------|-------|-------|------------------|-------|-------|-------|
| 7 | 6 | 5 | 4 | 3 | 2 | 1 | 0 |
| FCLK PAT [7:0] | | | | | | | |
| FCLK PAT [15:8] | | | | | | | |
| 0 | SCR EN | 0 | 0 | FCLK PAT [19:16] | | | |
| R/W-0 | R/W-0 | R/W-0 | R/W-0 | R/W-0 | R/W-0 | R/W-0 | R/W-0 |

Table 8-29. Register 0x20/21/22 Field Descriptions

| Bit | Field | Type | Reset | Description |
|-----|-----------------|------|---------|--|
| 7-0 | FCLK PAT [19:0] | R/W | 0xFFC00 | These bits can adjust the duty cycle of the FCLK. In decimation bypass mode the FCLK pattern gets adjusted automatically for the different output resolutions. Table 8-30 shows the proper FCLK pattern values for 1-wire and 1/2-wire in real/complex decimation. |
| 6 | SCR EN | R/W | 0 | This bit enables the output data scrambler. Digital bypass (0x24, D2) needs to be set as well. 0: Output scrambling disabled 1: Output scrambling enabled |

Table 8-30. FCLK Pattern for different resolution based on interface

| DECIMATION | OUTPUT RESOLUTION | 2-WIRE | 1-WIRE | 1/2-WIRE |
|--------------------|-------------------|-------------|---------|-------------|
| REAL DECIMATION | 14-bit | Use Default | 0xFE000 | Use Default |
| | 16-bit | | 0xFF000 | |
| | 18-bit | | 0xFF800 | |
| | 20-bit | | 0xFFC00 | |
| COMPLEX DECIMATION | 14-bit | Use Default | 0xFFFFF | 0xFFFFF |
| | 16-bit | | | |
| | 18-bit | | | |
| | 20-bit | | | |

Figure 8-68. Register 0x24

| | | | | | | | |
|-------|-------|-----------|---------|-------|---------|--------|-------|
| 7 | 6 | 5 | 4 | 3 | 2 | 1 | 0 |
| 0 | 0 | CH AVG EN | DDC MUX | | DIG BYP | DDC EN | 0 |
| R/W-0 | R/W-0 | R/W-0 | R/W-0 | R/W-0 | R/W-0 | R/W-0 | R/W-0 |

Table 8-31. Register 0x24 Field Descriptions

| Bit | Field | Type | Reset | Description |
|-----|-----------|------|-------|---|
| 7-6 | 0 | R/W | 0 | Must write 0 |
| 5 | CH AVG EN | R/W | 0 | Averages the output of ADC channel A and channel B together. The DDC MUX has to be enabled and set to '11'. The decimation filter needs to be enabled and set to bypass (fullrate output) or decimation and DIG BYP set to 1. 0: Channel averaging feature disabled 1: Output of channel A and channel B are averaged: (A+B)/2. |
| 4-3 | DDC MUX | R/W | 0 | Configures DDC MUX in front of the decimation filter. 00: ADC channel A connected to DDC A; ADC Channel B connected to DDC B 01: ADC channel A connected to DDC A and DDC B. 10: ADC channel B connected to DDC A and DDC B. 11: Output of ADC averaging block (see CH AVG EN) given to DDC A and DDC B. |
| 2 | DIG BYP | R/W | 0 | This bit needs to be set to enable digital features block which includes decimation and scrambling. 0: Digital feature block bypassed - lowest latency 1: Data path includes digital features |
| 1 | DDC EN | R/W | 0 | Enables internal decimation filter for both channels 0: DDC disabled. 1: DDC enabled. |
| 0 | 0 | R/W | 0 | Must write 0 |

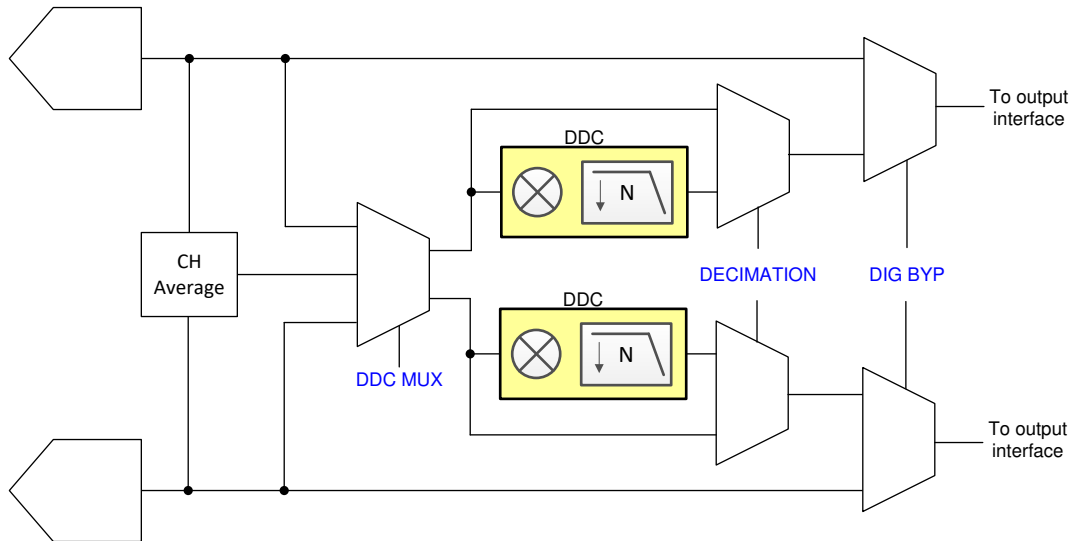


Figure 8-69. Register control for digital features

Figure 8-70. Register 0x25

| 7 | 6 | 5 | 4 | 3 | 2 | 1 | 0 |
|------------|------------|-------|-------|----------|-------|-------|-----------|
| DDC MUX EN | DECIMATION | | | REAL OUT | 0 | 0 | MIX PHASE |
| R/W-0 | R/W-0 | R/W-0 | R/W-0 | R/W-0 | R/W-0 | R/W-0 | R/W-0 |

Table 8-32. Register 0x25 Field Descriptions

| Bit | Field | Type | Reset | Description |
|-----|------------|------|-------|---|
| 7 | DDC MUX EN | R/W | 0 | Enables the digital mux between ADCs and decimation filters. This bit is required for DDC mux settings in register 0x24 (D4, D3) to go into effect. 0: DDC mux disabled 1: DDC mux enabled |
| 6-4 | DECIMATION | R/W | 000 | Complex decimation setting. This applies to both channels. 000: Bypass mode (no decimation) 100: Decimation by 16 001: Decimation by 2 101: Decimation by 32 010: Decimation by 4 others: not used 011: Decimation by 8 |
| 3 | REAL OUT | R/W | 0 | This bit selects real output decimation. This mode applies to both channels. In this mode, the decimation filter is a low pass filter and no complex mixing is performed to reduce power consumption. For maximum power savings the NCO in this case should be set to 0. 0: Complex decimation 1: Real decimation |
| 2-1 | 0 | R/W | 0 | Must write 0 |
| 0 | MIX PHASE | R/W | 0 | This bit used to invert the NCO phase 0: NCO phase as is. 1: NCO phase inverted. |

Figure 8-71. Register 0x26

| 7 | 6 | 5 | 4 | 3 | 2 | 1 | 0 |
|------------|-------|-----------|------------|------------|-------|-----------|------------|
| MIX GAIN A | | MIX RES A | FS/4 MIX A | MIX GAIN B | | MIX RES B | FS/4 MIX B |
| R/W-0 | R/W-0 | R/W-0 | R/W-0 | R/W-0 | R/W-0 | R/W-0 | R/W-0 |

Table 8-33. Register 0x26 Field Descriptions

| Bit | Field | Type | Reset | Description |
|-----|------------|------|-------|--|
| 7-6 | MIX GAIN A | R/W | 00 | This bit applies a 0, 3 or 6-dB digital gain to the output of digital mixer to compensate for the mixing loss for channel A. 00: no digital gain added 01: 3-dB digital gain added (should be enabled with real decimation) 10: 6-dB digital gain added (should be enabled with complex decimation) 11: not used |
| 5 | MIX RES A | R/W | 0 | Toggling this bit resets the NCO phase of channel A and loads the new NCO frequency. This bit does not self reset. |
| 4 | FS/4 MIX A | R/W | 0 | Enables FS/4 mixing for DDC A (complex decimation only). 0: FS/4 mixing disabled. 1: FS/4 mixing enabled. |
| 3-2 | MIX GAIN B | R/W | 00 | This bit applies a 0, 3 or 6-dB digital gain to the output of digital mixer to compensate for the mixing loss for channel B. 00: no digital gain added 01: 3-dB digital gain added (should be enabled with real decimation) 10: 6-dB digital gain added (should be enabled with complex decimation) 11: not used |
| 1 | MIX RES B | R/W | 0 | Toggling this bit resets the NCO phase of channel B and loads the new NCO frequency. This bit does not self reset. |

Table 8-33. Register 0x26 Field Descriptions (continued)

| Bit | Field | Type | Reset | Description |
|-----|------------|------|-------|---|
| 0 | FS/4 MIX B | R/W | 0 | Enables FS/4 mixing for DDC B (complex decimation only). 0: FS/4 mixing disabled. 1: FS/4 mixing enabled. |

Figure 8-72. Register 0x27

| 7 | 6 | 5 | 4 | 3 | 2 | 1 | 0 |
|-------|-------|-------|------------|---------|---------------|-------|-------|
| 0 | 0 | 0 | OP ORDER A | Q-DEL A | FS/4 MIX PH A | 0 | 0 |
| R/W-0 | R/W-0 | R/W-0 | R/W-0 | R/W-0 | R/W-0 | R/W-0 | R/W-0 |

Table 8-34. Register 0x27 Field Descriptions

| Bit | Field | Type | Reset | Description |
|-----|---------------|------|-------|--|
| 7-5 | 0 | R/W | 0 | Must write 0 |
| 4 | OP ORDER A | R/W | 0 | Swaps the I and Q output order for channel A. See Table 8-35 for recommended settings. Only used with complex decimation. Set to 0 with real decimation. 0: Output order is I[n], Q[n] 1: Output order is swapped: Q[n], I[n] |
| 3 | Q-DEL A | R/W | 0 | This delays the Q-sample output of channel A by one. See Table 8-35 for recommended settings. Only used with complex decimation. Set to 0 with real decimation. 0: Output order is I[n], Q[n] 1: Q-sample is delayed by 1 sample: I[n], Q[n+1], I[n+1], Q[n+2] |
| 2 | FS/4 MIX PH A | R/W | 0 | Inverts the mixer phase for channel A when using FS/4 mixer. 0: Mixer phase is non-inverted 1: Mixer phase is inverted |
| 1-0 | 0 | R/W | 0 | Must write 0 |

Table 8-35. OP-ORDER and Q-DELAY Register Settings for Complex Decimation

| SLVDS INTERFACE | OP-ORDER | Q-DELAY |
|-----------------|----------|---------|
| 2-wire | 1 | 0 |
| 1-wire | 0 | 1 |
| 1/2-wire | 1 | 1 |

Figure 8-73. Register 0x2A/B/C/D

| 7 | 6 | 5 | 4 | 3 | 2 | 1 | 0 |
|---------------|-------|-------|-------|-------|-------|-------|-------|
| NCO A [7:0] | | | | | | | |
| NCO A [15:8] | | | | | | | |
| NCO A [23:16] | | | | | | | |
| NCO A [31:24] | | | | | | | |
| R/W-0 | R/W-0 | R/W-0 | R/W-0 | R/W-0 | R/W-0 | R/W-0 | R/W-0 |

Table 8-36. Register 0x2A/2B/2C/2D Field Descriptions

| Bit | Field | Type | Reset | Description |
|-----|--------------|------|-------|---|
| 7-0 | NCO A [31:0] | R/W | 0 | Sets the 32 bit NCO value for decimation filter channel A. The NCO value is $f_{NCO} \times 2^{32} / F_S$. In real decimation mode these registers are automatically set to 0. |

Figure 8-74. Register 0x2E

| | | | | | | | |
|-------|-------|-------|------------|---------|---------------|-------|-------|
| 7 | 6 | 5 | 4 | 3 | 2 | 1 | 0 |
| 0 | 0 | 0 | OP ORDER B | Q-DEL B | FS/4 MIX PH B | 0 | 0 |
| R/W-0 | R/W-0 | R/W-0 | R/W-0 | R/W-0 | R/W-0 | R/W-0 | R/W-0 |

Table 8-37. Register 0x2E Field Descriptions

| Bit | Field | Type | Reset | Description |
|-----|---------------|------|-------|--|
| 7-5 | 0 | R/W | 0 | Must write 0 |
| 4 | OP ORDER B | R/W | 0 | Swaps the I and Q output order for channel B. See Table 8-35 for recommended settings. Only used with complex decimation. Set to 0 with real decimation. 0: Output order is I[n], Q[n] 1: Output order is swapped: Q[n], I[n] |
| 3 | Q-DEL B | R/W | 0 | This delays the Q-sample output of channel B by one. See Table 8-35 for recommended settings. Only used with complex decimation. Set to 0 with real decimation. 0: Output order is I[n], Q[n] 1: Q-sample is delayed by 1 sample: I[n], Q[n+1], I[n+1], Q[n+2] |
| 2 | FS/4 MIX PH B | R/W | 0 | Inverts the mixer phase for channel B when using FS/4 mixer. 0: Mixer phase is non-inverted 1: Mixer phase is inverted |
| 1-0 | 0 | R/W | 0 | Must write 0 |

Figure 8-75. Register 0x31/32/33/34

| | | | | | | | |
|---------------|-------|-------|-------|-------|-------|-------|-------|
| 7 | 6 | 5 | 4 | 3 | 2 | 1 | 0 |
| NCO B [7:0] | | | | | | | |
| NCO B [15:8] | | | | | | | |
| NCO B [23:16] | | | | | | | |
| NCO B [31:24] | | | | | | | |
| R/W-0 | R/W-0 | R/W-0 | R/W-0 | R/W-0 | R/W-0 | R/W-0 | R/W-0 |

Table 8-38. Register 0x31/32/33/34 Field Descriptions

| Bit | Field | Type | Reset | Description |
|-----|--------------|------|-------|---|
| 7-0 | NCO B [31:0] | R/W | 0 | Sets the 32 bit NCO value for decimation filter channel B. The NCO value is $f_{NCO} \times 2^{32} / F_S$. In real decimation mode these registers are automatically set to 0. |

Figure 8-76. Register 0x39..0x60

| | | | | | | | |
|-----------------------|-------|-------|-------|-------|-------|-------|-------|
| 7 | 6 | 5 | 4 | 3 | 2 | 1 | 0 |
| OUTPUT BIT MAPPER CHA | | | | | | | |
| R/W-0 | R/W-0 | R/W-0 | R/W-0 | R/W-0 | R/W-0 | R/W-0 | R/W-0 |

Table 8-39. Register 0x39..0x60 Field Descriptions

| Bit | Field | Type | Reset | Description |
|-----|-----------------------|------|-------|--|
| 7-0 | OUTPUT BIT MAPPER CHA | R/W | 0 | These registers are used to reorder the output data bus. See the Section 8.3.5.3 on how to program it. |

Figure 8-77. Register 0x61..0x88

| 7 | 6 | 5 | 4 | 3 | 2 | 1 | 0 |
|-----------------------|-------|-------|-------|-------|-------|-------|-------|
| OUTPUT BIT MAPPER CHB | | | | | | | |
| R/W-0 | R/W-0 | R/W-0 | R/W-0 | R/W-0 | R/W-0 | R/W-0 | R/W-0 |

Table 8-40. Register 0x61..0x88 Field Descriptions

| Bit | Field | Type | Reset | Description |
|-----|-----------------------|------|-------|--|
| 7-0 | OUTPUT BIT MAPPER CHB | R/W | 0 | These registers are used to reorder the output data bus. See the Section 8.3.5.3 on how to program it. |

Figure 8-78. Register 0x8F

| 7 | 6 | 5 | 4 | 3 | 2 | 1 | 0 |
|-------|-------|-------|-------|-------|-------|----------|-------|
| 0 | 0 | 0 | 0 | 0 | 0 | FORMAT A | 0 |
| R/W-0 | R/W-0 | R/W-0 | R/W-0 | R/W-0 | R/W-0 | R/W-0 | R/W-0 |

Table 8-41. Register 0x8F Field Descriptions

| Bit | Field | Type | Reset | Description |
|-----|----------|------|-------|---|
| 7-2 | 0 | R/W | 0 | Must write 0 |
| 1 | FORMAT A | R/W | 0 | This bit sets the output data format for channel A. Digital bypass register bit (0x24, D2) needs to be enabled as well. 0: 2s complement 1: Offset binary |
| 0 | 0 | R/W | 0 | Must write 0 |

Figure 8-79. Register 0x92

| 7 | 6 | 5 | 4 | 3 | 2 | 1 | 0 |
|-------|-------|-------|-------|-------|-------|----------|-------|
| 0 | 0 | 0 | 0 | 0 | 0 | FORMAT B | 0 |
| R/W-0 | R/W-0 | R/W-0 | R/W-0 | R/W-0 | R/W-0 | R/W-0 | R/W-0 |

Table 8-42. Register 0x92 Field Descriptions

| Bit | Field | Type | Reset | Description |
|-----|----------|------|-------|---|
| 7-2 | 0 | R/W | 0 | Must write 0 |
| 1 | FORMAT B | R/W | 0 | This bit sets the output data format for channel B. Digital bypass register bit (0x24, D2) needs to be enabled as well. 0: 2s complement 1: Offset binary |
| 0 | 0 | R/W | 0 | Must write 0 |

9 Application Information Disclaimer

Note

Information in the following applications sections is not part of the TI component specification, and TI does not warrant its accuracy or completeness. TI's customers are responsible for determining suitability of components for their purposes, as well as validating and testing their design implementation to confirm system functionality.

9.1 Typical Application

A spectrum analyzer is a typical frequency domain application for the ADC368x and its front end circuitry is very similar to several other systems such as software defined radio (SDR), sonar, radar or communications. Some applications require frequency coverage including DC or near DC (such as, sonar), so it is included in this example.

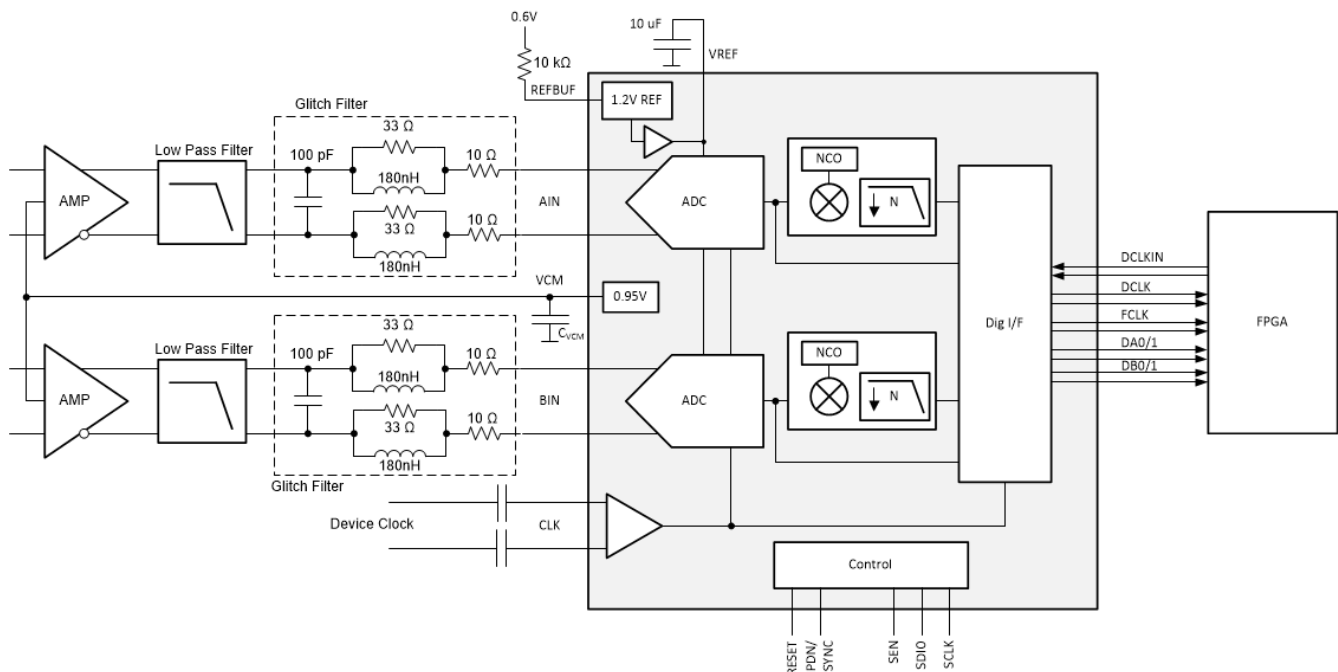


Figure 9-1. Typical configuration for a spectrum analyzer with DC support

9.1.1 Design Requirements

Frequency domain applications cover a wide range of frequencies from low input frequencies at or near DC in the 1st Nyquist zone to undersampling in higher Nyquist zones. If very low input frequency is supported then the input has to be DC coupled and the ADC driven by a fully differential amplifier (FDA). If low frequency support is not needed then AC coupling and use of a balun may be more suitable.

The internal reference is used since DC precision is not needed. However the ADC AC performance is highly dependent on the quality of the external clock source. If in-band interferers can be present then the ADC SFDR performance will be a key care about as well. A higher ADC sampling rate is desirable in order to relax the external anti-aliasing filter – an internal decimation filter can be used to reduce the digital output rate afterwards.

Table 9-1. Design key care-about

| FEATURE | DESCRIPTION |
|------------------|--|
| Signal Bandwidth | DC to 20 MHz |
| Input Driver | Single ended to differential signal conversion and DC coupling |

Table 9-1. Design key care-about (continued)

| FEATURE | DESCRIPTION |
|--------------|--------------------------------|
| Clock Source | External clock with low jitter |

When designing the amplifier/filter driving circuit, the ADC input full-scale voltage needs to be taken into consideration. For example, the ADC368x input full-scale is 3.2 Vpp. When factoring in ~ 1 dB for insertion loss of the filter, then the amplifier needs to deliver close to 3.6 Vpp. The amplifier distortion performance will degrade with a larger output swing and considering the ADC common mode input voltage the amplifier may not be able to deliver the full swing. The ADC368x provides an output common mode voltage of 0.95V and the THS4541 for example can only swing within 250 mV of its negative supply. A unipolar 3.3 V amplifier power supply will thus limit the maximum voltage swing to ~ 2.8 Vpp. Hence if a larger output swing is required (factoring in filter insertion loss) then a negative supply for the amplifier is needed in order to eliminate that limitation. Additionally input voltage protection diodes may be needed to protect the ADC from over-voltage events.

Table 9-2. Output voltage swing of THS4541 vs power supply

| DEVICE | MIN OUTPUT VOLTAGE | MAX SWING WITH 3.3 V/ 0 V SUPPLY | MAX SWING WITH 3.3 V/ -1.0 V SUPPLY |
|---------|--------------------|----------------------------------|-------------------------------------|
| THS4541 | VS- + 250 mV | 2.8 Vpp | 6.8 Vpp |

9.1.2 Detailed Design Procedure

9.1.2.1 Input Signal Path

Depending on desired input signal frequency range the THS4551 and THS4541 provide very good low power options to drive the ADC inputs. [Table 9-3](#) provides a comparison between the THS4551 and THS4541 and the power consumption vs usable frequency trade off.

Table 9-3. Fully Differential Amplifier Options

| DEVICE | CURRENT (IQ) PER CHANNEL | USABLE FREQUENCY RANGE |
|---------|--------------------------|------------------------|
| THS4561 | 0.8 mA | < 3 MHz |
| THS4551 | 1.4 mA | < 10 MHz |
| THS4541 | 10 mA | < 70 MHz |

The low pass filter design (topology, filter order) is driven by the application itself. However, when designing the low pass filter, the optimum load impedance for the amplifier should be taken into consideration as well. Between the low pass filter and the ADC input the sampling glitch filter needs to added as well as shown in [Section 8.3.1.2.1](#). In this example the DC - 30 MHz glitch filter is selected.

9.1.2.2 Sampling Clock

Applications operating with low input frequencies (such as DC to 20 MHz) typically are less sensitive to performance degradation due to clock jitter. The internal ADC aperture jitter improves with faster rise and fall times (i.e. square wave vs sine wave). [Table 9-4](#) provides an overview of the estimated SNR performance of the ADC368x based on different amounts of jitter of the external clock source. The SNR is estimated based on ADC368x thermal noise of 84.2dBFS and input signal at -1dBFS.

Table 9-4. ADC SNR performance across vs input frequency for different amounts of external clock jitter

| INPUT FREQUENCY | T _{J,EXT} = 100 fs | T _{J,EXT} = 250 fs | T _{J,EXT} = 500 fs | T _{J,EXT} = 1 ps |
|-----------------|-----------------------------|-----------------------------|-----------------------------|---------------------------|
| 5 MHz | 84.2 | 84.1 | 83.9 | 83.4 |
| 10 MHz | 84.0 | 83.9 | 83.3 | 81.5 |
| 20 MHz | 83.6 | 83.0 | 81.3 | 77.8 |

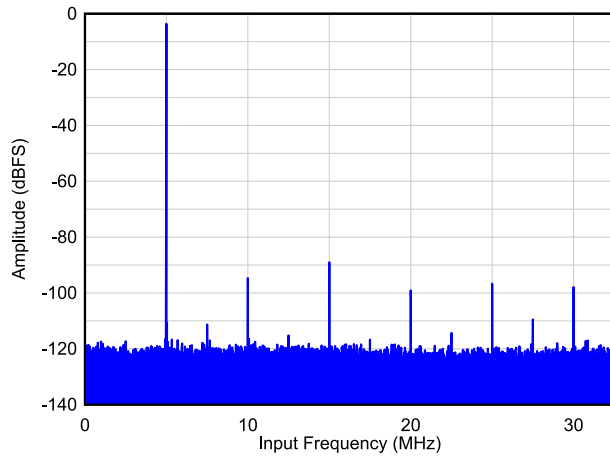
Termination of the clock input should be considered for long clock traces.

9.1.2.3 Voltage Reference

The ADC368x is configured to internal reference operation by applying 0.6 V to the REFBUF pin.

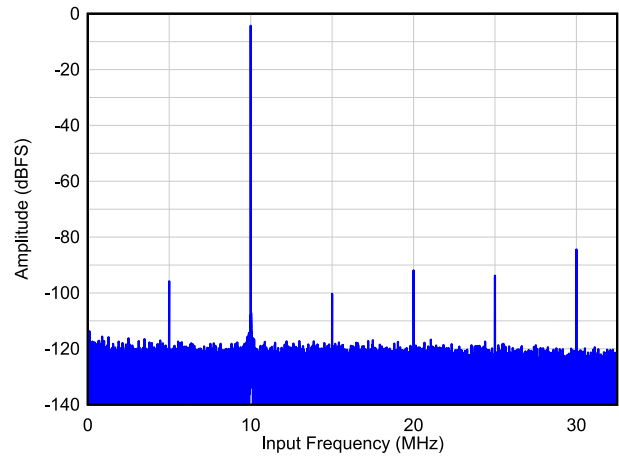
9.1.3 Application Curves

The following FFT plots show the performance of THS4541 driving the ADC3683 operated at 65 MSPS with a full-scale input at -1 dBFS and input frequencies of 5, 10 and 20 MHz.



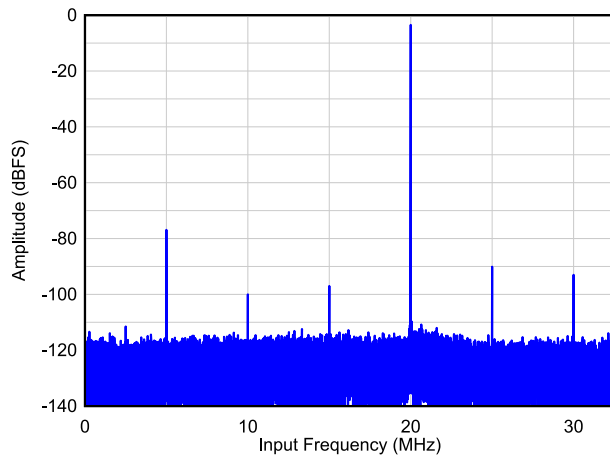
SNR = 81.5 dBFS, SFDR = 88 dBc, Non HD23 = 95 dBFS

Figure 9-2. Single Tone FFT at $F_{IN} = 5$ MHz



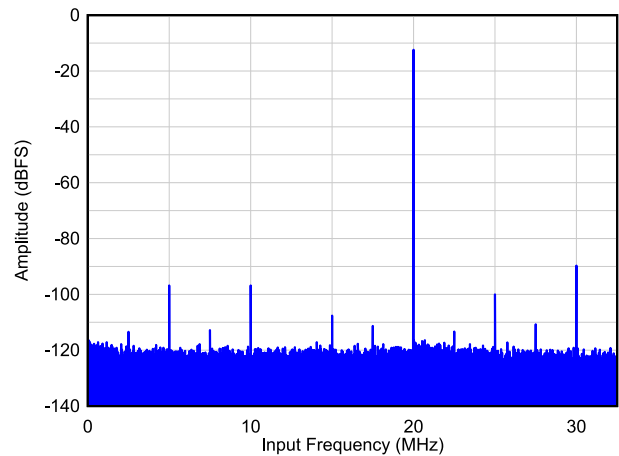
SNR = 80.9 dBFS, SFDR = 91 dBc, Non HD23 = 83 dBFS

Figure 9-3. Single Tone FFT at $F_{IN} = 10$ MHz



SNR = 77.6 dBFS, SFDR = 76 dBc, Non HD23 = 93 dBFS

Figure 9-4. Single Tone FFT at $F_{IN} = 20$ MHz



$A_{IN} = -10$ dBFS, SNR = 81.3 dBFS, SFDR = 87 dBc, Non HD23 = 90 dBFS

Figure 9-5. Single Tone FFT at $F_{IN} = 20$ MHz

9.2 Initialization Set Up

After power-up, the internal registers must be initialized to their default values through a hardware reset by applying a high pulse on the RESET pin, as shown in Figure 9-6.

1. Apply AVDD and IOVDD (no specific sequence required). After AVDD is applied the internal bandgap reference will power up and settle out in ~ 2ms.
2. Configure REFBUF pin (pull high or low even if configured via SPI later on) and apply the sampling clock.
3. Apply hardware reset. After hardware reset is released, the default registers are loaded from internal fuses and the internal power up capacitor calibration is initiated. The calibration takes approximately 200000 clock cycles.
4. Begin programming using SPI interface.

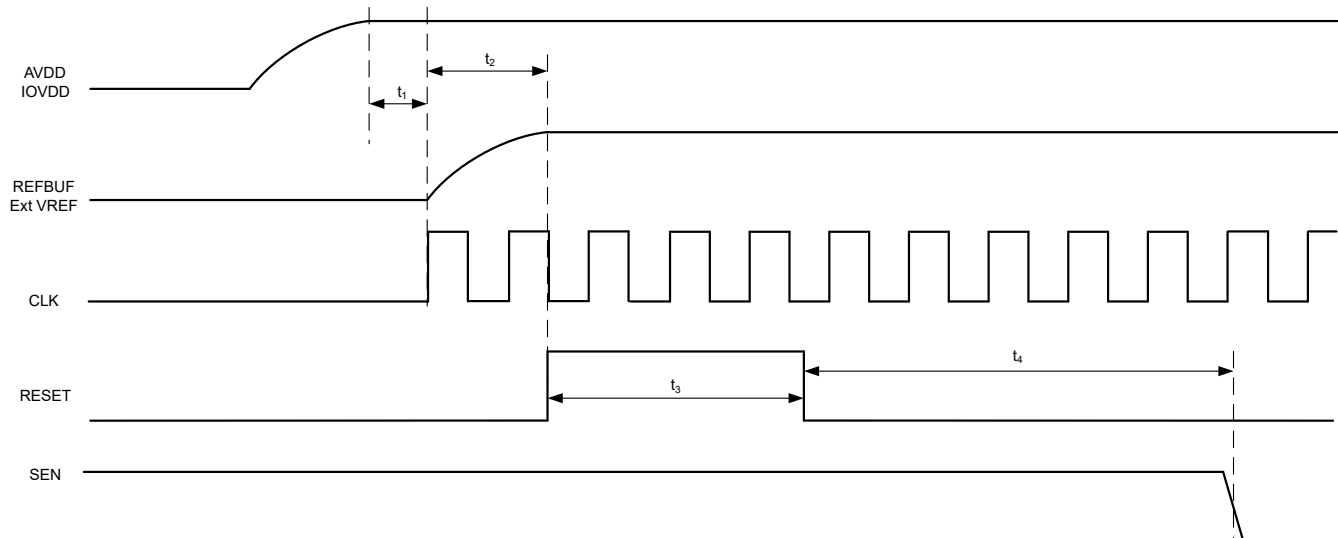


Figure 9-6. Initialization of serial registers after power up

Table 9-5. Power-up timing

| | | MIN | TYP | MAX | UNIT |
|-------|--|----------|-----|-----|--------------|
| t_1 | Power-on delay: delay from power up to logic level of REFBUF pin | 2 | | | ms |
| t_2 | Delay from REFBUF pin logic level to RESET rising edge | 100 | | | ns |
| t_3 | RESET pulse width | 1 | | | us |
| t_4 | Delay from RESET disable to SEN active | ~ 200000 | | | clock cycles |

9.2.1 Register Initialization During Operation

If required, the serial interface registers can be cleared and reset to default settings during operation either:

- through a hardware reset or
- by applying a software reset. When using the serial interface, set the RESET bit (D0 in register address 0x00) high. This setting initializes the internal registers to the default values and then self-resets the RESET bit low. In this case, the RESET pin is kept low.

After hardware or software reset the wait time is also ~ 200000 clock cycles before the SPI registers can be programmed.

9.3 Power Supply Recommendations

The ADC368x requires two different power-supplies. The AVDD rail provides power for the internal analog circuits and the ADC itself while the IOVDD rail powers the digital interface and the internal digital circuits like decimation filter or output interface mapper. Power sequencing is not required.

The AVDD power supply must be low noise in order to achieve data sheet performance. In applications operating near DC, the 1/f noise contribution of the power supply needs to be considered as well. The ADC is designed for very good PSRR which aides with the power supply filter design.

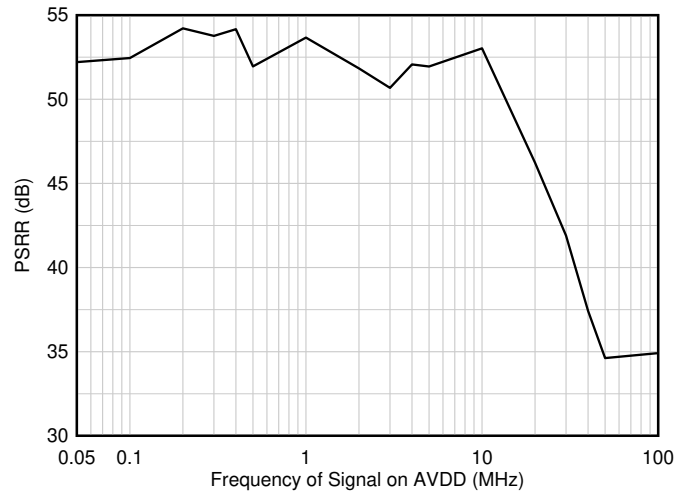


Figure 9-7. Power supply rejection ratio (PSRR) vs frequency

There are two recommended power-supply architectures:

1. 1. Step down using high-efficiency switching converters, followed by a second stage of regulation using a low noise LDO to provide switching noise reduction and improved voltage accuracy.
2. 2. Directly step down the final ADC supply voltage using high-efficiency switching converters. This approach provides the best efficiency, but care must be taken to ensure switching noise is minimized to prevent degraded ADC performance.

TI WEBENCH® Power Designer can be used to select and design the individual power-supply elements needed: see the WEBENCH® Power Designer

Recommended switching regulators for the first stage include the TPS62821, and similar devices.

Recommended low dropout (LDO) linear regulators include the TPS7A4701, TPS7A90, LP5901, and similar devices.

For the switch regulator only approach, the ripple filter must be designed with a notch frequency that aligns with the switching ripple frequency of the DC/DC converter. Note the switching frequency reported from WEBENCH® and design the EMI filter and capacitor combination to have the notch frequency centered as needed. [Figure 9-8](#) and [Figure 9-9](#) illustrate the two approaches.

AVDD and IOVDD supply voltages should not be shared in order to prevent digital switching noise from coupling into the analog signal chain.

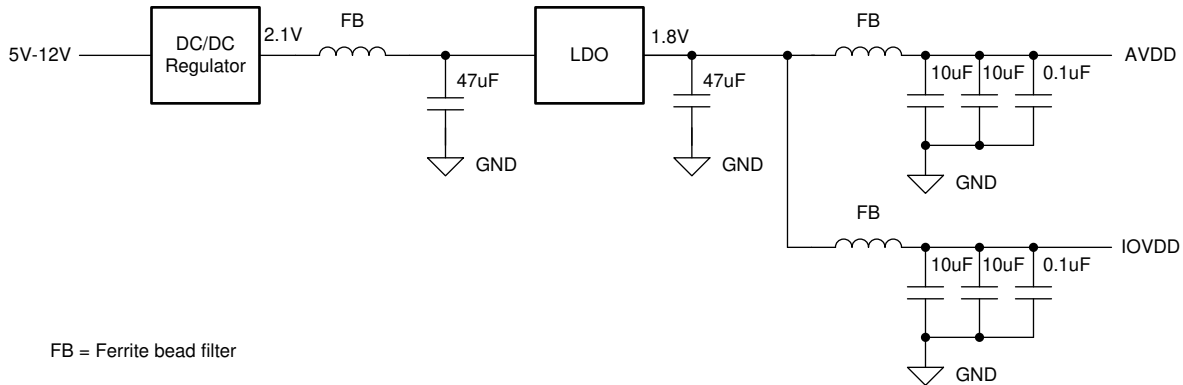


Figure 9-8. Example: LDO Linear Regulator Approach

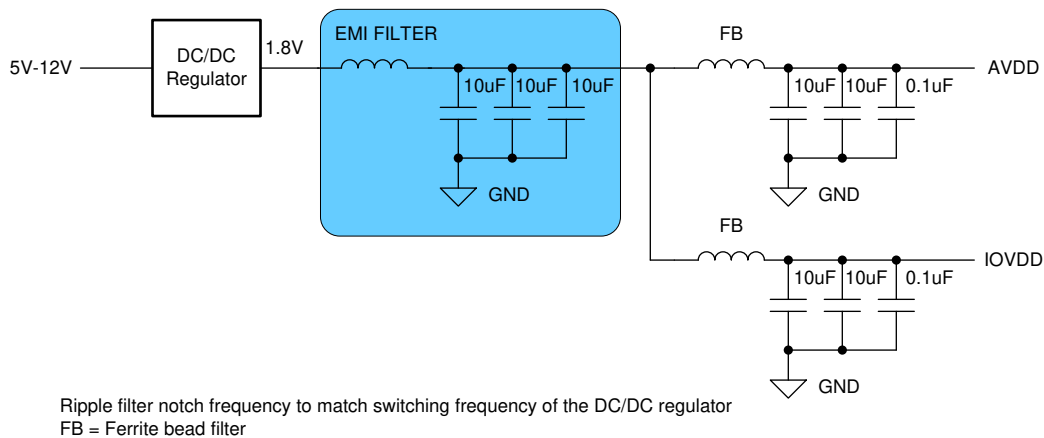


Figure 9-9. Example Switcher-Only Approach

9.4 Layout

9.4.1 Layout Guidelines

There are several critical signals which require specific care during board design:

1. Analog input and clock signals
 - Traces should be as short as possible and vias should be avoided where possible to minimize impedance discontinuities.
 - Traces should be routed using loosely coupled 100-Ω differential traces.
 - Differential trace lengths should be matched as close as possible to minimize phase imbalance and HD2 degradation.
2. Digital output interface
 - Traces should be routed using tightly coupled 100-Ω differential traces.
3. Voltage reference
 - The bypass capacitor should be placed as close to the device pins as possible and connected between VREF and REFGND – on top layer avoiding vias.
 - Depending on configuration an additional bypass capacitor between REFBUF and REFGND may be recommended and should also be placed as close to pins as possible on top layer.
4. Power and ground connections
 - Provide low resistance connection paths to all power and ground pins.
 - Use power and ground planes instead of traces.
 - Avoid narrow, isolated paths which increase the connection resistance.
 - Use a signal/ground/power circuit board stackup to maximize coupling between the ground and power plane.

9.4.2 Layout Example

The following screen shot shows the top layer of the ADC368x EVM.

- Signal and clock inputs are routed as differential signals on the top layer avoiding vias.
- SLVDS output interface lanes are routed differential and length matched
- Bypass caps are close to the VREF pin on the top layer avoiding vias.

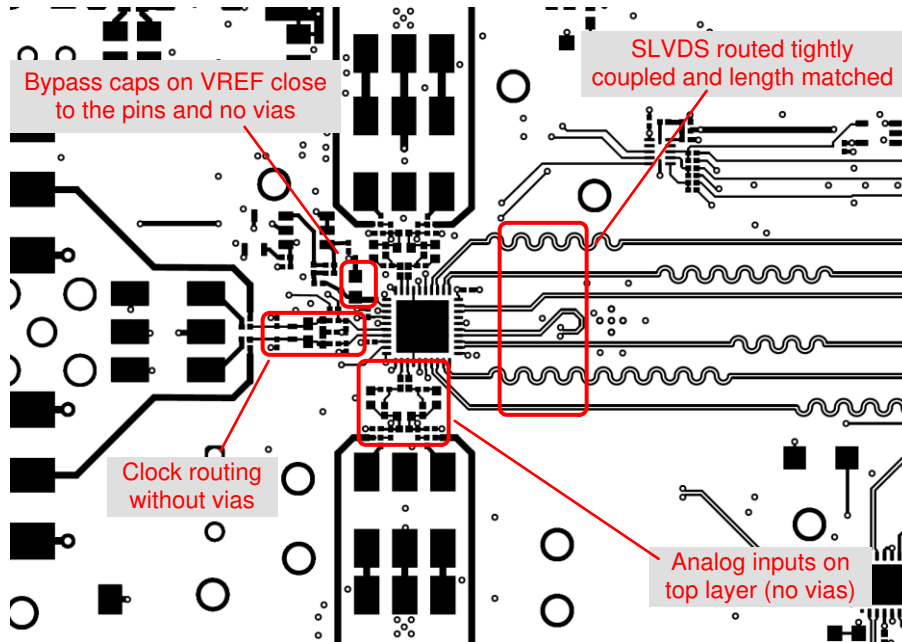


Figure 9-10. Layout example: top layer of ADC368x EVM

10 Device and Documentation Support

10.1 Receiving Notification of Documentation Updates

To receive notification of documentation updates, navigate to the device product folder on ti.com. Click on *Subscribe to updates* to register and receive a weekly digest of any product information that has changed. For change details, review the revision history included in any revised document.

10.2 Support Resources

TI E2E™ [support forums](#) are an engineer's go-to source for fast, verified answers and design help — straight from the experts. Search existing answers or ask your own question to get the quick design help you need.

Linked content is provided "AS IS" by the respective contributors. They do not constitute TI specifications and do not necessarily reflect TI's views; see TI's [Terms of Use](#).

10.3 Trademarks

TI E2E™ is a trademark of Texas Instruments.

All trademarks are the property of their respective owners.

10.4 Electrostatic Discharge Caution



This integrated circuit can be damaged by ESD. Texas Instruments recommends that all integrated circuits be handled with appropriate precautions. Failure to observe proper handling and installation procedures can cause damage.

ESD damage can range from subtle performance degradation to complete device failure. Precision integrated circuits may be more susceptible to damage because very small parametric changes could cause the device not to meet its published specifications.

10.5 Glossary

[TI Glossary](#) This glossary lists and explains terms, acronyms, and definitions.

11 Mechanical, Packaging, and Orderable Information

The following pages include mechanical, packaging, and orderable information. This information is the most current data available for the designated devices. This data is subject to change without notice and revision of this document. For browser-based versions of this data sheet, refer to the left-hand navigation.

PACKAGING INFORMATION

| Orderable Device | Status (1) | Package Type | Package Drawing | Pins | Package Qty | Eco Plan (2) | Lead finish/ Ball material (6) | MSL Peak Temp (3) | Op Temp (°C) | Device Marking (4/5) | Samples |
|------------------|---------------|--------------|-----------------|------|-------------|-----------------|--------------------------------------|----------------------|--------------|-------------------------|-------------------------|
| ADC3681IRSBR | ACTIVE | WQFN | RSB | 40 | 3000 | RoHS & Green | NIPDAU | Level-3-260C-168 HR | -40 to 105 | AZ3681 | Samples |
| ADC3681IRSBT | ACTIVE | WQFN | RSB | 40 | 250 | RoHS & Green | NIPDAU | Level-3-260C-168 HR | -40 to 105 | AZ3681 | Samples |
| ADC3682IRSBR | ACTIVE | WQFN | RSB | 40 | 3000 | RoHS & Green | NIPDAU | Level-3-260C-168 HR | -40 to 105 | AZ3682 | Samples |
| ADC3682IRSBT | ACTIVE | WQFN | RSB | 40 | 250 | RoHS & Green | NIPDAU | Level-3-260C-168 HR | -40 to 105 | AZ3682 | Samples |
| ADC3683IRSBR | ACTIVE | WQFN | RSB | 40 | 3000 | RoHS & Green | NIPDAU | Level-3-260C-168 HR | -40 to 105 | AZ3683 | Samples |
| ADC3683IRSBT | ACTIVE | WQFN | RSB | 40 | 250 | RoHS & Green | NIPDAU | Level-3-260C-168 HR | -40 to 105 | AZ3683 | Samples |

(1) The marketing status values are defined as follows:

ACTIVE: Product device recommended for new designs.

LIFEBUY: TI has announced that the device will be discontinued, and a lifetime-buy period is in effect.

NRND: Not recommended for new designs. Device is in production to support existing customers, but TI does not recommend using this part in a new design.

PREVIEW: Device has been announced but is not in production. Samples may or may not be available.

OBSOLETE: TI has discontinued the production of the device.

(2) **RoHS:** TI defines "RoHS" to mean semiconductor products that are compliant with the current EU RoHS requirements for all 10 RoHS substances, including the requirement that RoHS substance do not exceed 0.1% by weight in homogeneous materials. Where designed to be soldered at high temperatures, "RoHS" products are suitable for use in specified lead-free processes. TI may reference these types of products as "Pb-Free".

RoHS Exempt: TI defines "RoHS Exempt" to mean products that contain lead but are compliant with EU RoHS pursuant to a specific EU RoHS exemption.

Green: TI defines "Green" to mean the content of Chlorine (Cl) and Bromine (Br) based flame retardants meet JS709B low halogen requirements of <=1000ppm threshold. Antimony trioxide based flame retardants must also meet the <=1000ppm threshold requirement.

(3) MSL, Peak Temp. - The Moisture Sensitivity Level rating according to the JEDEC industry standard classifications, and peak solder temperature.

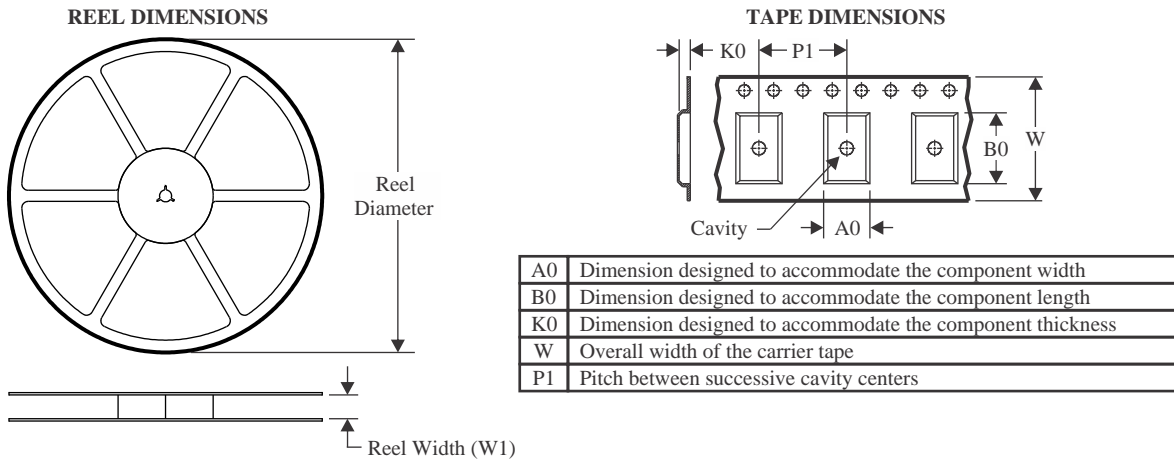
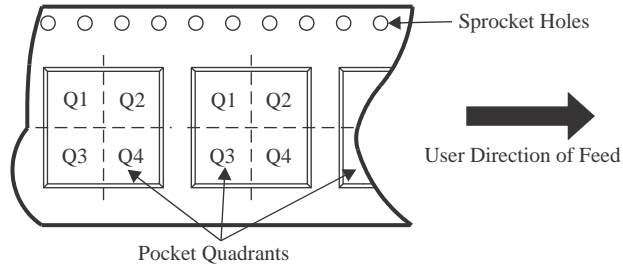
(4) There may be additional marking, which relates to the logo, the lot trace code information, or the environmental category on the device.

(5) Multiple Device Markings will be inside parentheses. Only one Device Marking contained in parentheses and separated by a "-" will appear on a device. If a line is indented then it is a continuation of the previous line and the two combined represent the entire Device Marking for that device.

(6) Lead finish/Ball material - Orderable Devices may have multiple material finish options. Finish options are separated by a vertical ruled line. Lead finish/Ball material values may wrap to two lines if the finish value exceeds the maximum column width.

Important Information and Disclaimer: The information provided on this page represents TI's knowledge and belief as of the date that it is provided. TI bases its knowledge and belief on information provided by third parties, and makes no representation or warranty as to the accuracy of such information. Efforts are underway to better integrate information from third parties. TI has taken and continues to take reasonable steps to provide representative and accurate information but may not have conducted destructive testing or chemical analysis on incoming materials and chemicals. TI and TI suppliers consider certain information to be proprietary, and thus CAS numbers and other limited information may not be available for release.

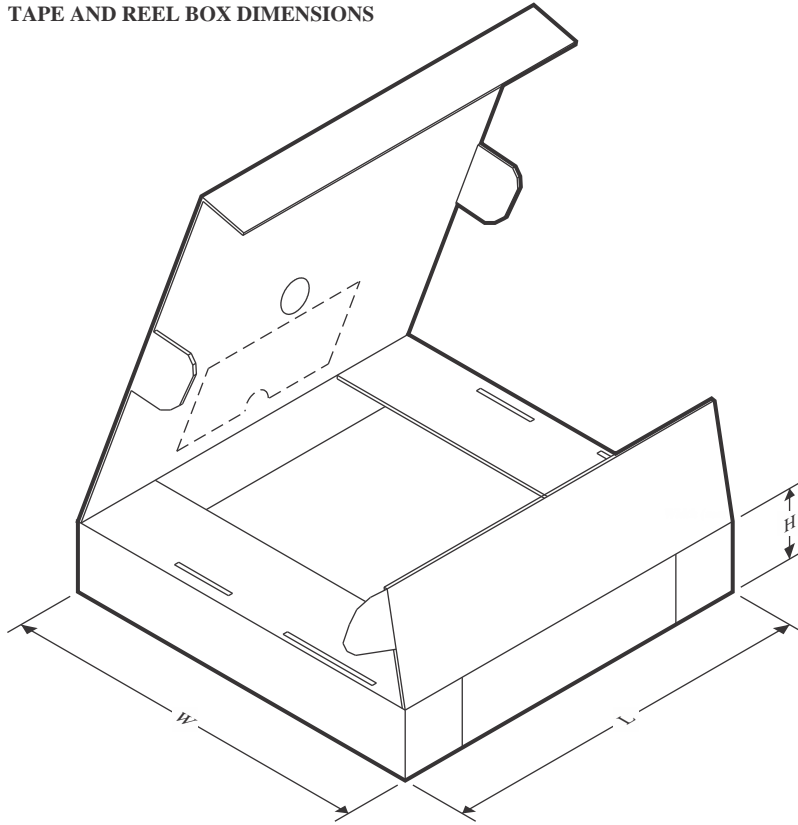
In no event shall TI's liability arising out of such information exceed the total purchase price of the TI part(s) at issue in this document sold by TI to Customer on an annual basis.

TAPE AND REEL INFORMATION

QUADRANT ASSIGNMENTS FOR PIN 1 ORIENTATION IN TAPE


*All dimensions are nominal

| Device | Package Type | Package Drawing | Pins | SPQ | Reel Diameter (mm) | Reel Width W1 (mm) | A0 (mm) | B0 (mm) | K0 (mm) | P1 (mm) | W (mm) | Pin1 Quadrant |
|--------------|--------------|-----------------|------|------|--------------------|--------------------|---------|---------|---------|---------|--------|---------------|
| ADC3681IRSBR | WQFN | RSB | 40 | 3000 | 330.0 | 12.4 | 5.3 | 5.3 | 1.5 | 8.0 | 12.0 | Q2 |
| ADC3682IRSBR | WQFN | RSB | 40 | 3000 | 330.0 | 12.4 | 5.3 | 5.3 | 1.5 | 8.0 | 12.0 | Q2 |
| ADC3683IRSBR | WQFN | RSB | 40 | 3000 | 330.0 | 12.4 | 5.3 | 5.3 | 1.5 | 8.0 | 12.0 | Q2 |

TAPE AND REEL BOX DIMENSIONS



*All dimensions are nominal

| Device | Package Type | Package Drawing | Pins | SPQ | Length (mm) | Width (mm) | Height (mm) |
|--------------|--------------|-----------------|------|------|-------------|------------|-------------|
| ADC3681IRSBR | WQFN | RSB | 40 | 3000 | 350.0 | 350.0 | 43.0 |
| ADC3682IRSBR | WQFN | RSB | 40 | 3000 | 350.0 | 350.0 | 43.0 |
| ADC3683IRSBR | WQFN | RSB | 40 | 3000 | 350.0 | 350.0 | 43.0 |

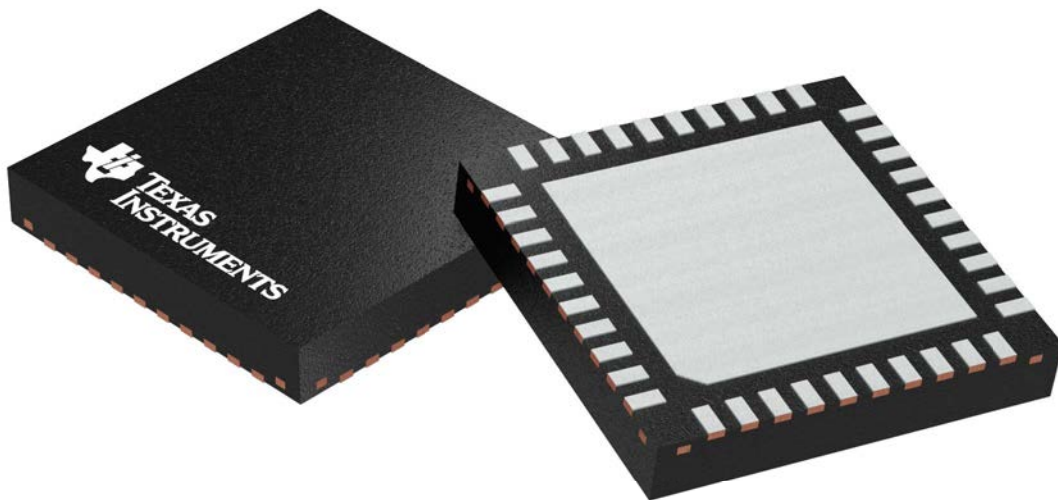
GENERIC PACKAGE VIEW

RSB 40

WQFN - 0.8 mm max height

5 x 5 mm, 0.4 mm pitch

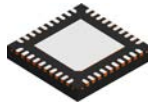
PLASTIC QUAD FLATPACK - NO LEAD



Images above are just a representation of the package family, actual package may vary.
Refer to the product data sheet for package details.

4207182/D

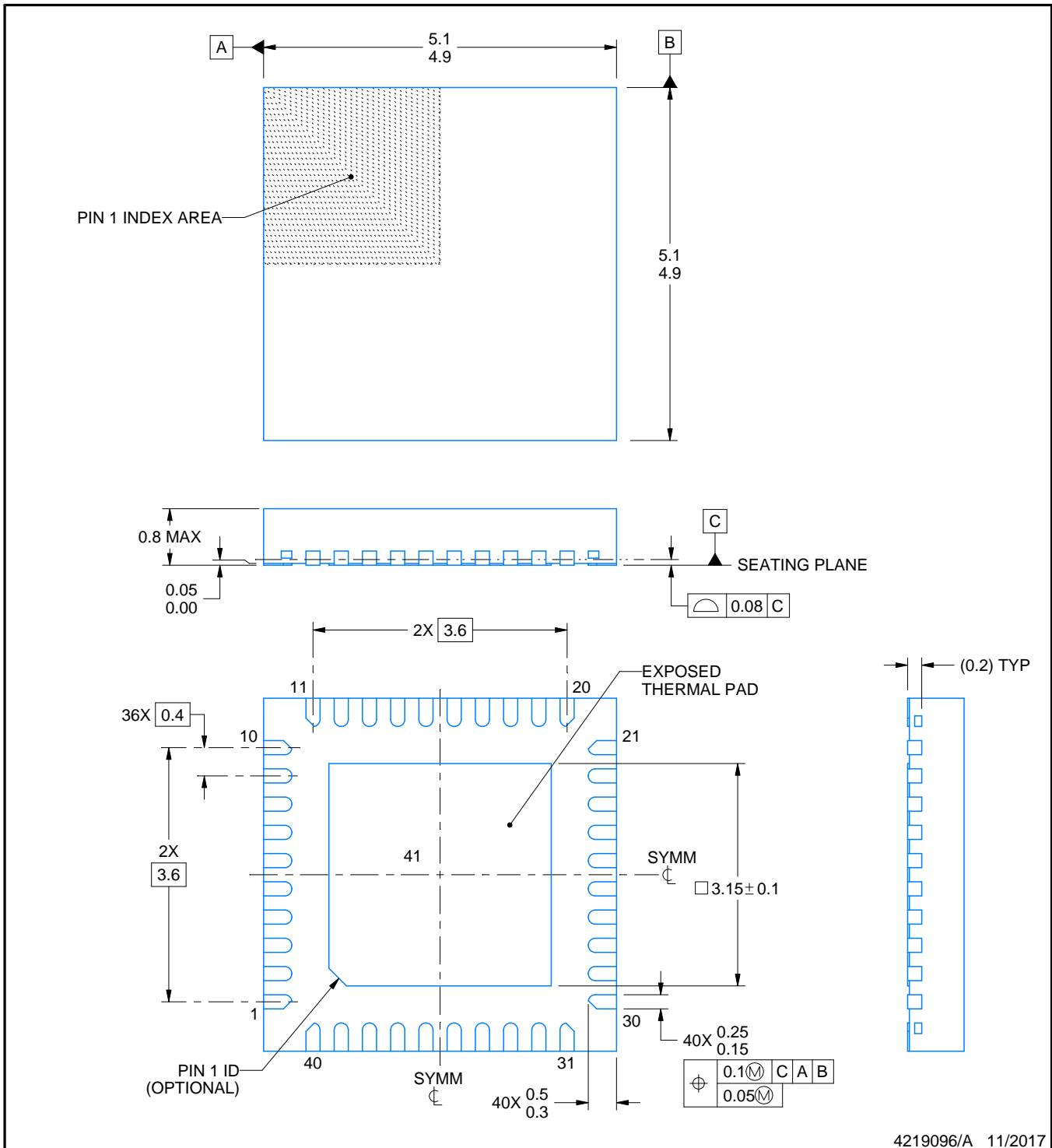
RSB0040E



PACKAGE OUTLINE

WQFN - 0.8 mm max height

PLASTIC QUAD FLATPACK - NO LEAD



4219096/A 11/2017

NOTES:

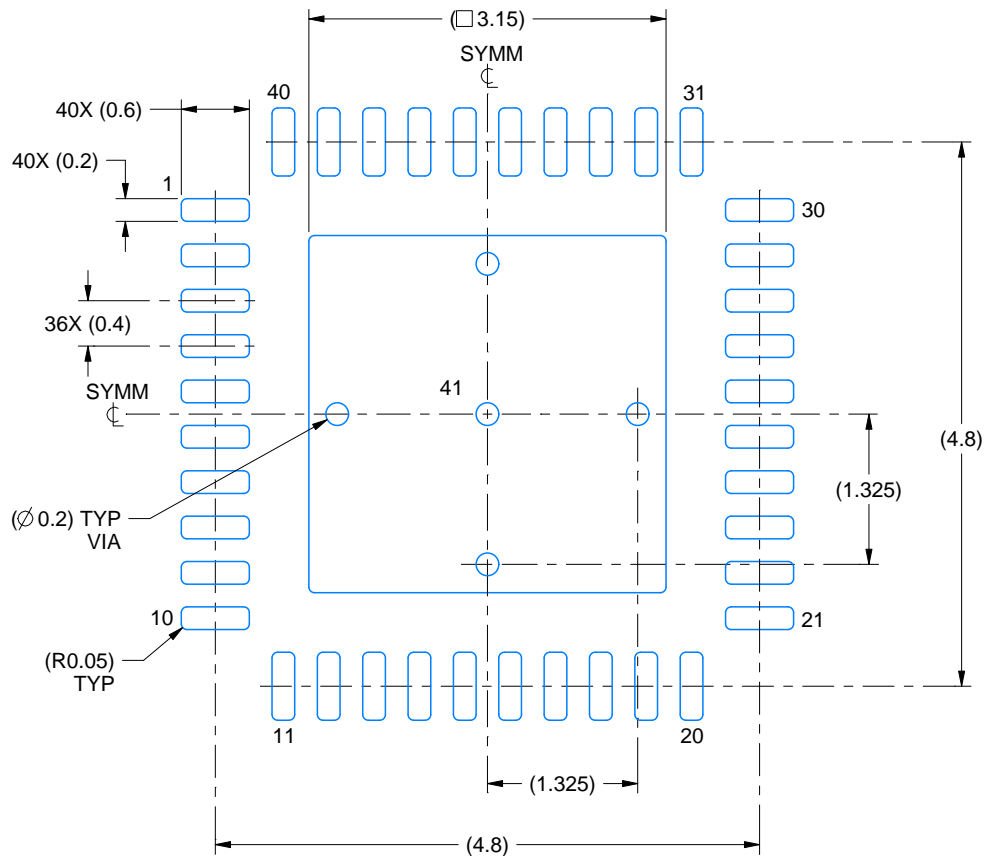
1. All linear dimensions are in millimeters. Any dimensions in parenthesis are for reference only. Dimensioning and tolerancing per ASME Y14.5M.
2. This drawing is subject to change without notice.
3. The package thermal pad must be soldered to the printed circuit board for thermal and mechanical performance.

EXAMPLE BOARD LAYOUT

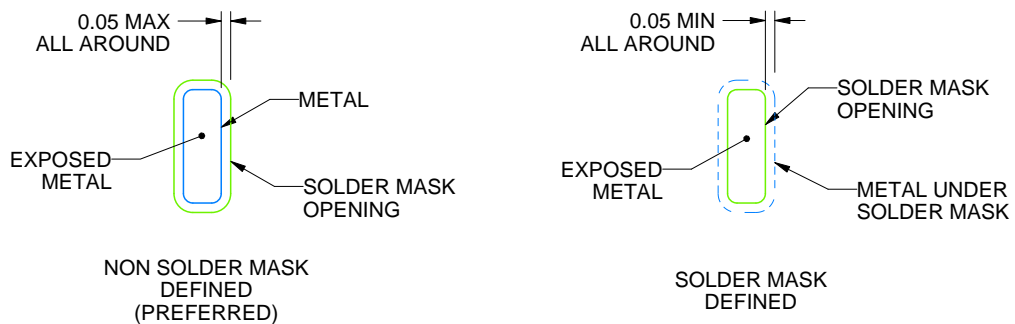
RSB0040E

WQFN - 0.8 mm max height

PLASTIC QUAD FLATPACK - NO LEAD



LAND PATTERN EXAMPLE
EXPOSED METAL SHOWN
SCALE:15X



SOLDER MASK DETAILS

4219096/A 11/2017

NOTES: (continued)

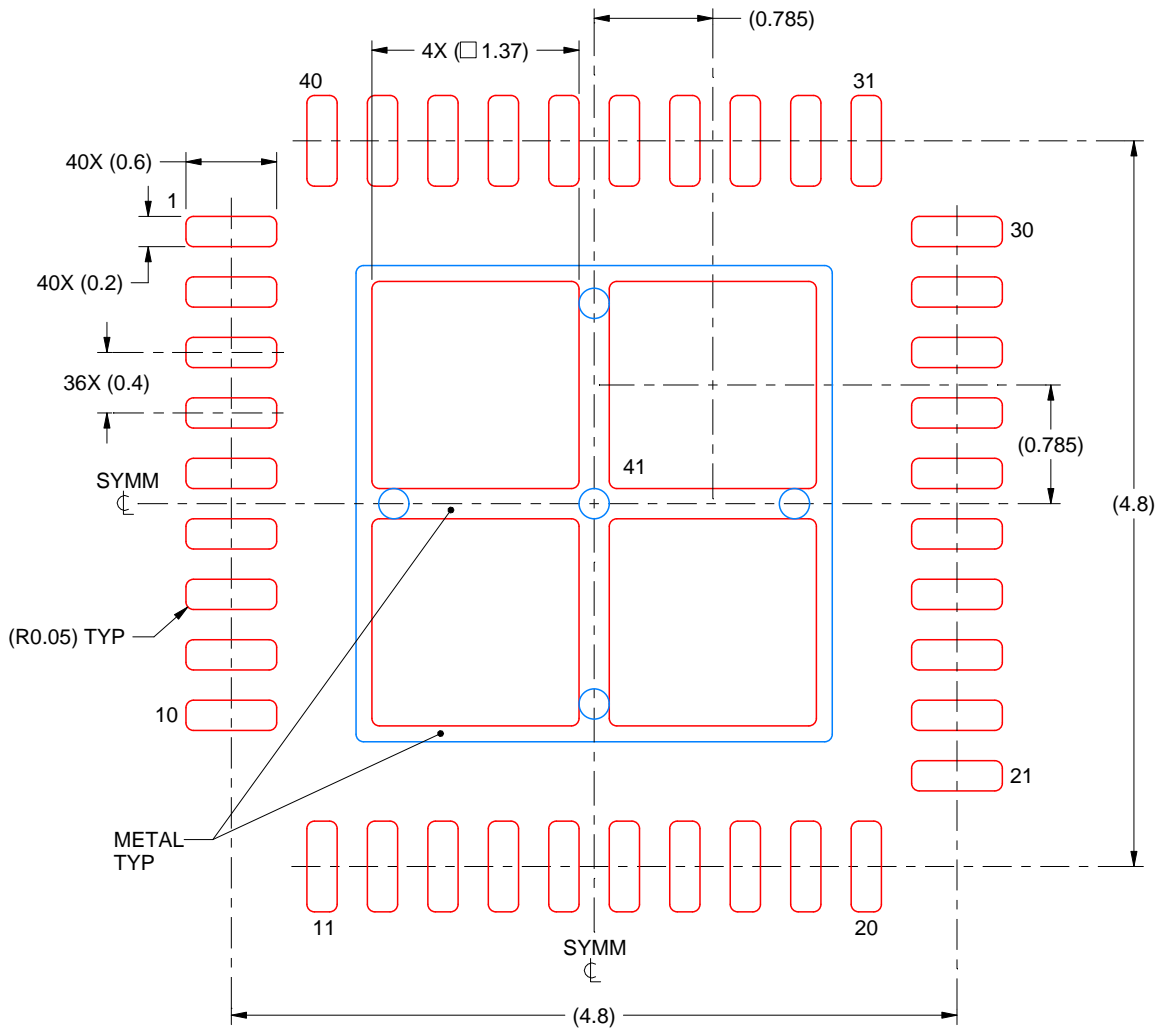
4. This package is designed to be soldered to a thermal pad on the board. For more information, see Texas Instruments literature number SLUA271 (www.ti.com/lit/slua271).
5. Vias are optional depending on application, refer to device data sheet. If any vias are implemented, refer to their locations shown on this view. It is recommended that vias under paste be filled, plugged or tented.

EXAMPLE STENCIL DESIGN

RSB0040E

WQFN - 0.8 mm max height

PLASTIC QUAD FLATPACK - NO LEAD



SOLDER PASTE EXAMPLE
BASED ON 0.1 mm THICK STENCIL

EXPOSED PAD 41
75% PRINTED SOLDER COVERAGE BY AREA UNDER PACKAGE
SCALE:20X

4219096/A 11/2017

NOTES: (continued)

6. Laser cutting apertures with trapezoidal walls and rounded corners may offer better paste release. IPC-7525 may have alternate design recommendations.

IMPORTANT NOTICE AND DISCLAIMER

TI PROVIDES TECHNICAL AND RELIABILITY DATA (INCLUDING DATA SHEETS), DESIGN RESOURCES (INCLUDING REFERENCE DESIGNS), APPLICATION OR OTHER DESIGN ADVICE, WEB TOOLS, SAFETY INFORMATION, AND OTHER RESOURCES "AS IS" AND WITH ALL FAULTS, AND DISCLAIMS ALL WARRANTIES, EXPRESS AND IMPLIED, INCLUDING WITHOUT LIMITATION ANY IMPLIED WARRANTIES OF MERCHANTABILITY, FITNESS FOR A PARTICULAR PURPOSE OR NON-INFRINGEMENT OF THIRD PARTY INTELLECTUAL PROPERTY RIGHTS.

These resources are intended for skilled developers designing with TI products. You are solely responsible for (1) selecting the appropriate TI products for your application, (2) designing, validating and testing your application, and (3) ensuring your application meets applicable standards, and any other safety, security, regulatory or other requirements.

These resources are subject to change without notice. TI grants you permission to use these resources only for development of an application that uses the TI products described in the resource. Other reproduction and display of these resources is prohibited. No license is granted to any other TI intellectual property right or to any third party intellectual property right. TI disclaims responsibility for, and you will fully indemnify TI and its representatives against, any claims, damages, costs, losses, and liabilities arising out of your use of these resources.

TI's products are provided subject to [TI's Terms of Sale](#) or other applicable terms available either on [ti.com](https://www.ti.com) or provided in conjunction with such TI products. TI's provision of these resources does not expand or otherwise alter TI's applicable warranties or warranty disclaimers for TI products.

TI objects to and rejects any additional or different terms you may have proposed.

Mailing Address: Texas Instruments, Post Office Box 655303, Dallas, Texas 75265
Copyright © 2023, Texas Instruments Incorporated

Looking for pricing, stock, or lifecycle information?

Click below to explore more details on WIN SOURCE:

 [View ADC3683IRSBR](#) on WIN SOURCE

 [Texas Instruments](#) Information

Optimize Your Supply Chain with WIN SOURCE Solutions

-  Global Sourcing Solution
-  Obsolete Management
-  Cost Control Management
-  Shortage Management
-  Alternative Solution
-  Excess Inventory Management