



Quick start guide

SEMPER™ S25HL512T memory module



- SEMPER™ S25HL512T memory module is Pmod compatible
- Connects to any host platform (MCU/SoC), which supports either SPI, dual SPI, or quad SPI with 3.3 V I/Os
- Ideal for use with SEMPER™ SDK

PEEL
HERE

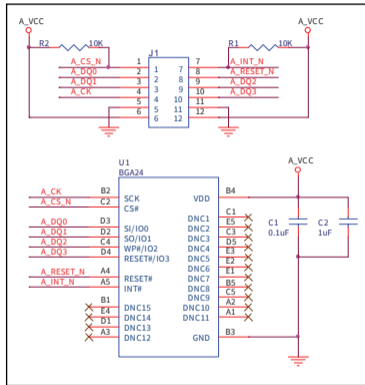
Visit www.infineon.com/semper-solutions-hub to learn more.



Features

- SPI, dual SPI, and quad SPI
- Supports 1S-1S-1S, 1S-2S-2S 1S-1S-4S, 1S-4S-4S, 1S-4D-4D, 4S-4S-4S, 4S-4D-4D protocols
- ASIL-B compliant and ASIL-D ready:
Meets ISO 26262 standard for automotive functional safety
- Endurance flex architecture: Multiple partitions, each configurable to provide up to 25 years of data retention or 1+ million cycles endurance
- Diagnostics: SafeBoot and error checking to ensure safe and reliable operation


www.infineon.com/semper-solutions-hub





Looking for pricing, stock, or lifecycle information?

Click below to explore more details on WIN SOURCE:

-  [View EVAL-S25HL512T on WIN SOURCE](#)
-  [Infineon Technologies](#) Information

Optimize Your Supply Chain with WIN SOURCE Solutions

-  Global Sourcing Solution
-  Obsolete Management
-  Cost Control Management
-  Shortage Management
-  Alternative Solution
-  Excess Inventory Management