

Power Inductors / Wire Wound type

Series : **G**
 Type : **ELL4FG-A**
ELL4GG
ELL4LG-A



Type ELL4FG-A



Type ELL4GG



Type ELL4LG-A

Features

- Magnetic shielded structure
- Low DC resistance and large current capability
- Shock resistant
- RoHS compliant

Recommended Applications

- DSC, Tablet terminal, Portable game device, DC/DC converter circuit for cellular phone

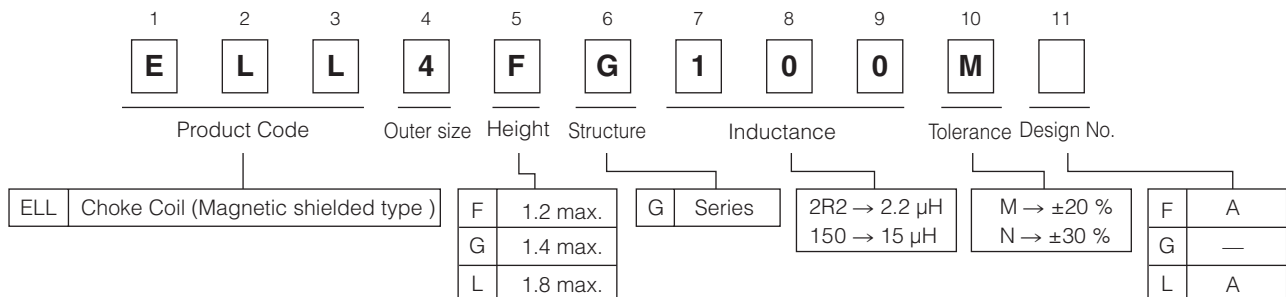
Standard Packing Quantity

- 2,000 pcs./reel (ELL4FG-A/ELL4GG)
- 3,000 pcs./reel (ELL4LG-A)

As for Soldering Conditions and Safety Precautions,

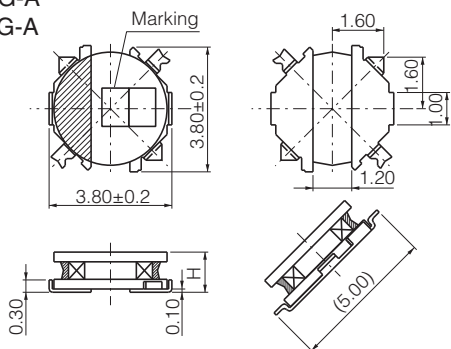
Please see Data Files

Explanation of Part Numbers



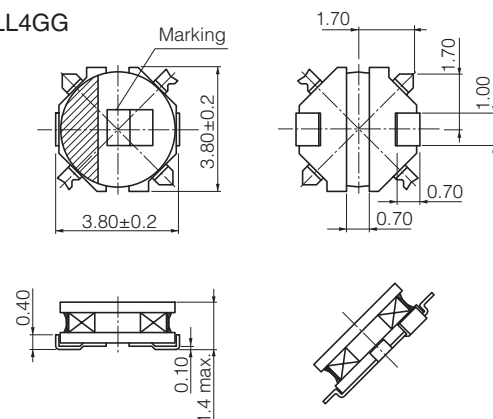
Dimensions in mm (not to scale)

- ELL4FG-A
- ELL4LG-A



| Type | H |
|----------|----------------------|
| ELL4FG-A | 1.1±0.10 (1.20 max.) |
| ELL4LG-A | 1.80 max. |

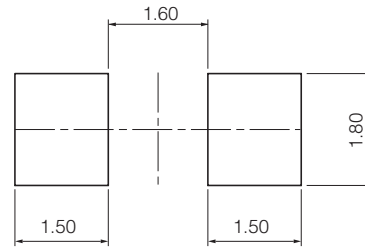
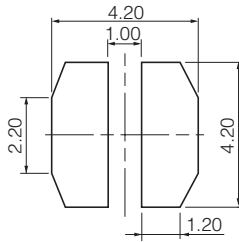
- ELL4GG



Recommended land patterns in mm (not to scale)

- ELL4FG-A
- ELL4LG-A

- ELL4GG



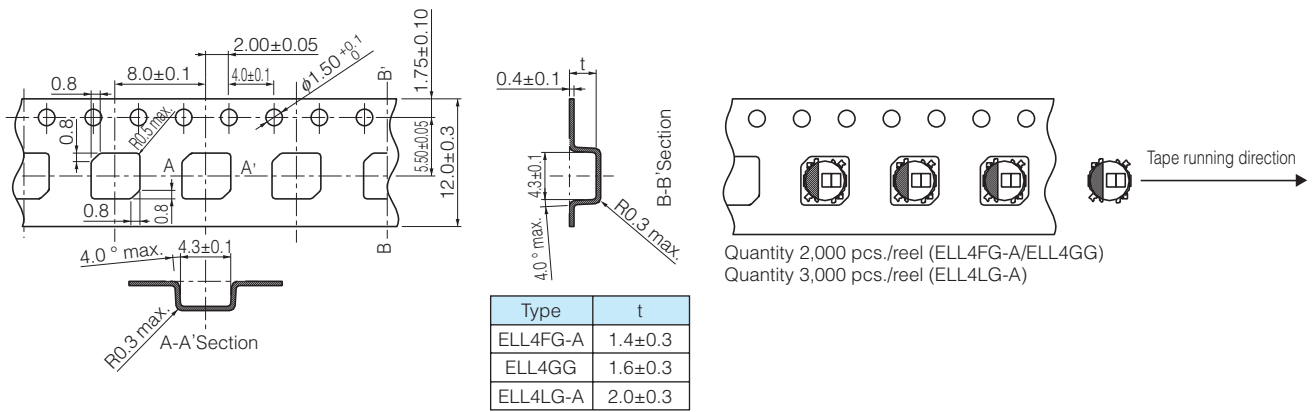
Standard Parts

| Series | Part No. | Inductance (100 kHz) | | R _{DC} (at 20 °C) | | Saturation Rated Current*1 (mA max.) | Temperature Rise Current*2 (mA max.) | Marking |
|-----------------|-------------|-------------------------|-------|-------------------------------|-------|--|--|---------|
| | | (μH) | Tol. | (mΩ) | Tol. | | | |
| Series 4FG-A | ELL4FG1R0NA | 1.0 | ±30 % | 45 | ±20 % | 1900 | 1950 | 01 |
| | ELL4FG1R5NA | 1.5 | | 60 | | 1600 | 1700 | 06 |
| | ELL4FG2R0NA | 2.0 | | 70 | | 1300 | 1550 | 10 |
| | ELL4FG3R3NA | 3.3 | | 110 | | 1100 | 1220 | 16 |
| | ELL4FG4R7NA | 4.7 | | 160 | | 1000 | 1000 | 21 |
| | ELL4FG6R8NA | 6.8 | ±20 % | 220 | | 800 | 860 | 26 |
| | ELL4FG100MA | 10.0 | | 290 | | 700 | 750 | 31 |
| | ELL4FG150MA | 15.0 | | 480 | | 600 | 580 | 33 |
| | ELL4FG220MA | 22.0 | | 620 | | 420 | 500 | 36 |
| | ELL4FG330MA | 33.0 | | 1060 | | 360 | 400 | 39 |
| ELL4FG470MA | 47.0 | 1600 | 290 | 330 | 51 | | | |
| Series 4GG | ELL4GG1R2N | 1.2 | ±30 % | 50 | ±20 % | 2400 | 1900 | 03 |
| | ELL4GG1R8N | 1.8 | | 71 | | 1900 | 1550 | 09 |
| | ELL4GG2R2N | 2.2 | | 88 | | 1700 | 1400 | 11 |
| | ELL4GG3R3N | 3.3 | | 110 | | 1500 | 1200 | 16 |
| | ELL4GG3R9N | 3.9 | | 120 | | 1400 | 1150 | 19 |
| | ELL4GG4R7N | 4.7 | | 160 | | 1200 | 1000 | 21 |
| | ELL4GG5R6N | 5.6 | | 170 | | 1100 | 970 | 23 |
| | ELL4GG6R8N | 6.8 | ±20 % | 200 | | 1050 | 930 | 26 |
| | ELL4GG8R2N | 8.2 | | 220 | | 1000 | 870 | 29 |
| | ELL4GG100M | 10.0 | | 250 | | 900 | 770 | 31 |
| | ELL4GG120M | 12.0 | | 380 | | 800 | 650 | 32 |
| | ELL4GG150M | 15.0 | | 500 | | 700 | 580 | 33 |
| | ELL4GG220M | 22.0 | | 640 | | 600 | 500 | 36 |
| | ELL4GG330M | 33.0 | | 980 | | 450 | 400 | 39 |
| ELL4GG470M | 47.0 | 1250 | 400 | 350 | 51 | | | |
| ELL4GG101M | 100.0 | 2400 | 290 | 250 | 56 | | | |
| Series 4LG-A | ELL4LG1R0NA | 1.0 | ±30 % | 43 | ±20 % | 2200 | 1900 | 01 |
| | ELL4LG1R5NA | 1.5 | | 48 | | 1700 | 1800 | 06 |
| | ELL4LG2R2NA | 2.2 | | 55 | | 1500 | 1700 | 11 |
| | ELL4LG2R7NA | 2.7 | | 63 | | 1400 | 1550 | 13 |
| | ELL4LG3R3NA | 3.3 | | 72 | | 1300 | 1450 | 16 |
| | ELL4LG4R7NA | 4.7 | ±20 % | 90 | | 1100 | 1300 | 21 |
| | ELL4LG6R2NA | 6.2 | | 140 | | 930 | 1100 | 25 |
| | ELL4LG100MA | 10.0 | | 200 | | 800 | 950 | 31 |
| | ELL4LG150MA | 15.0 | | 300 | | 620 | 730 | 33 |
| | ELL4LG220MA | 22.0 | | 390 | | 550 | 640 | 36 |
| | ELL4LG330MA | 33.0 | ±20 % | 610 | | 430 | 510 | 39 |
| | ELL4LG470MA | 47.0 | | 920 | | 360 | 410 | 51 |
| | ELL4LG680MA | 68.0 | | 1300 | | 270 | 350 | 53 |
| | ELL4LG101MA | 100.0 | | 2200 | | 250 | 260 | 56 |
| | ELL4LG151MA | 150.0 | | 3000 | | 220 | 220 | 59 |

*1 Saturation Rated Current : This DC current which causes a 30 % inductance reduction from its nominal value.

*2 Temperature Rise Current : This indicates the value of current when temperature rise dt/t= 40 °C (at 20 °C).

Embossed Carrier Tape Dimensions in mm (not to scale)



Guidelines and precautions regarding the technical information and use of our products described in this online catalog.

- If you want to use our products described in this online catalog for applications requiring special qualities or reliability, or for applications where the failure or malfunction of the products may directly jeopardize human life or potentially cause personal injury (e.g. aircraft and aerospace equipment, traffic and transportation equipment, combustion equipment, medical equipment, accident prevention, anti-crime equipment, and/or safety equipment), it is necessary to verify whether the specifications of our products fit to such applications. Please ensure that you will ask and check with our inquiry desk as to whether the specifications of our products fit to such applications use before you use our products.
- The quality and performance of our products as described in this online catalog only apply to our products when used in isolation. Therefore, please ensure you evaluate and verify our products under the specific circumstances in which our products are assembled in your own products and in which our products will actually be used.
- If you use our products in equipment that requires a high degree of reliability, regardless of the application, it is recommended that you set up protection circuits and redundancy circuits in order to ensure safety of your equipment.
- The products and product specifications described in this online catalog are subject to change for improvement without prior notice. Therefore, please be sure to request and confirm the latest product specifications which explain the specifications of our products in detail, before you finalize the design of your applications, purchase, or use our products.
- The technical information in this online catalog provides examples of our products' typical operations and application circuits. We do not guarantee the non-infringement of third party's intellectual property rights and we do not grant any license, right, or interest in our intellectual property.
- If any of our products, product specifications and/or technical information in this online catalog is to be exported or provided to non-residents, the laws and regulations of the exporting country, especially with regard to security and export control, shall be observed.

<Regarding the Certificate of Compliance with the EU RoHS Directive/REACH Regulations>

- The switchover date for compliance with the RoHS Directive/REACH Regulations varies depending on the part number or series of our products.
- When you use the inventory of our products for which it is unclear whether those products are compliant with the RoHS Directive/REACH Regulation, please select "Sales Inquiry" in the website inquiry form and contact us.

We do not take any responsibility for the use of our products outside the scope of the specifications, descriptions, guidelines and precautions described in this online catalog.

Looking for pricing, stock, or lifecycle information?

Click below to explore more details on WIN SOURCE:

 [View ELL-4GG100M on WIN SOURCE](#)

 [Panasonic Information](#)

Optimize Your Supply Chain with WIN SOURCE Solutions

-  Global Sourcing Solution
-  Obsolete Management
-  Cost Control Management
-  Shortage Management
-  Alternative Solution
-  Excess Inventory Management