



# THE DATASHEET OF ELKU101FB



発行整理番号  
Issue NO. : T1DN-02008

発行日  
Date of Issue : 2002年4月23日  
April 23, 2002

発行区分  
Classification:  新規 New  変更 Change  更新 Renewal

**DIGI-KEY 御中**

## 納入仕様書 PRODUCT SPECIFICATION FOR INFORMATION

製品名称  
Product Description : Common mode choke coil

製品番号  
Product Part Number : ELKU\*\*\*FB

松下品番  
Matsushita Part Number : ELKU\*\*\*FB

適用(使用機種等)  
Applications : 一般電子機器

上記以外の適用に際しては、事前に弊社担当者までご連絡ください。  
For other applications, contact our person signed below.



製造部署  
Manufactured by : MATUSHITA ELECTRONIC COMPONENTS CO.,LTD

本仕様書の有効期間  
Term of Validity : 発行日から 2007年4月22日 まで有効とします。  
April 22, 2007 from the date of issue

### お客様ご使用欄 CUSTOMER USE ONLY

この書類を確かに受領しました。  
This was certainly received by us.

松下電子部品株式会社  
LCRデバイスカンパニー  
コイルストラテジックビジネスユニット  
Matsushita Electronic Components Co.,Ltd.  
LCR Device Company  
Inductive Products Strategic Business Unit  
〒668-0298 兵庫県 出石郡出石町 田多地1番地  
1, Tadachi, Izushi, Hyogo, 668-0298 Japan  
電話(代表) (0796) 52-3181  
Tel (0796) 52-3181(Representative)

発行部署名 Prepared by 但馬松下電器株式会社 Tajima Matsushita Electric Co., Ltd. Tel (0796)52-3181 Fax (0796)52-5706		
責任者 Approved	検印 Checked	担当者 Designed
		

1. この製品の使用材料は、「化学物質の審査及び製造等の規制に関する法律」に基づき、すべて既存化学物質として記載されている材料です。

All the materials used in this product are registered material under the Law Concerning the Examination and Regulation of Manufacture, etc. of Chemical Substances.

2. 本製品は、モントリオール議定書で規制されているオゾン層破壊物質(ODC)を製造工程及び購入部品・材料で一切使用していません。

This product has not been manufactured with any ozone depleting chemical controlled under the Montreal Protocol.

3. この製品に使用している全ての材料には、臭素系特定難燃物質「PBBOs、PBBs」を含有していません。

All the materials used in this product contain no brominated materials of PBBOs or PBBs as the flame-retardant.

4. 納入仕様書の「有効期間」について  
有効期間は、特に、申し出のない限り(お客様の要望を含み)自動更新とします。  
その際、連絡書・仕様書は、発行致しません。

"The Term of Validity" of Product Specifications for Information  
Unless otherwise requested ( including from customer), the term of validity shall be renewed automatically.

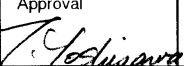


Then , informations and specifications shall be not issued.

<b>SPECIFICATIONS</b>	151-ELKU-1-10-E
-----------------------	-----------------

<b>Common Mode Choke Coil</b>	7-1
-------------------------------	-----

1. SCOPE  
This specification covers the chip type Common Mode Choke Coil to be delivered to DIGI-KEY
2. PART NUMBER OF PRODUCTS  
The part number of the products in this specification shall be ELKU  $\frac{***FB}{1\ 2\ 3\ (4)}$
- | No. | DIVISION  |
|-----|---|
| 1   | Common Mode Impedance (101=100 ohm 181=180 ohm) |
| 2   | Package form (F =Embossed carrier taping)       |
| 3   | Order of planning from A                        |
| (4) | Customer's code                                 |
3. TEST CONDITION  
The ambient temperature shall be 5°C to 35°C and the relative humidity 35% to 85% unless otherwise specified.  
When the test result is doubtful, the sample in question shall be tested again at 20±2°C, 65±5% RAH.
4. VISUAL, DIMENSIONS AND CONSTRUCTION  
As specified in the [151-ELKU-2-10-E]
5. ELECTRICAL AND RELIABILITY CHARACTERISTICS  
As specified in the [151-ELKU-3-10-E, 4-10-E]
6. TEST METHOD  
As specified in the [151-ELKU-5-10-E]
7. PACKAGE  
The products shall be packed so as not allow from water absorption and damage.  
The following indications shall be marked on the package:  
1. Part Number 2. Quantity 3. Lot Number 4. Manufacture's name  
Packaging style and dimension are specified in the [ 151-ELKU-6-10-E, 7-10-E]
8. OPERATING TEMPERATURE RANGE  
-20~+85°C
9. OTHERS  
Reflow soldering only.  
The customer is requested to store the products at the normal temperature (-5 °C to 35°C) and the normal humidity (85% RH max ) in the packages we supplied.  
The package shall not be exposed to direct sunlight and harmful gas and care should be taken so as not cause to dew.  
Lead free condition is showed page 7-5.
10. REVISION
- | No. | Date | Reg.No. | Description | Page | Check |
|-----|------|---------|-------------|------|-------|
|     |      |         |             |      |       |
|     |      |         |             |      |       |
|     |      |         |             |      |       |
|     |      |         |             |      |       |

Notes

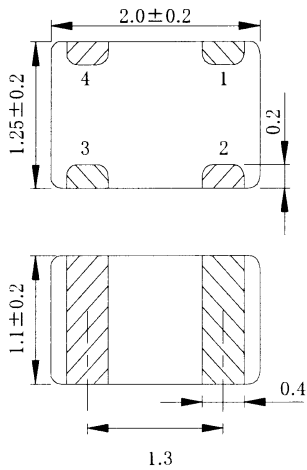
Approval 	Check 	Design 
--	--	---

<b>SPECIFICATIONS</b>	151 - ELKU - 2 - 10 - E
-----------------------	-------------------------

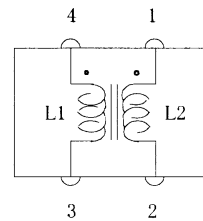
<b>Common Mode Choke Coil</b>	7 - 2
-------------------------------	-------

**[ VISUAL AND DIMENSIONS ]**

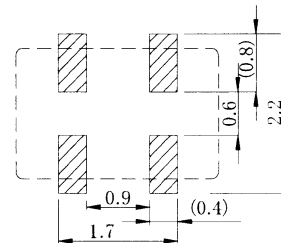
(unit: mm ...not to scale)



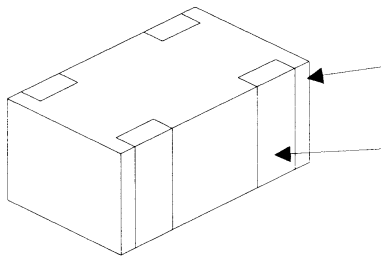
**EQUIVALENT CIRCUIT**



**RECOMMENDED LAND PATTERN**



**[ CONSTRUCTION ]**

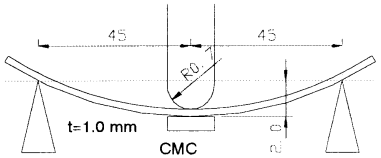


PART NAME	MATERIALS	
Body	Ferrite	
Inductor (L1,L2) terminal	Base	A g
	Middle	N i
	Outside	S n

Notes

SPECIFICATIONS				151 - ELKU - 3 - 10 - E				
Common Mode Choke Coil				7 - 3				
[ ELECTRICAL CHARACTERISTICS ]								
Customer's Part No.	Matsushita Part No.	Common mode impedance(at100MHz)		Rated current (per one L) (A max.)	Rated voltage (between L1 and L2) (V max.)	Reference Rdc (ohm max.)		
		typ. (ohm typ.)	min. (ohm min.)					
	ELKU101FB	100 ohm typ.	70 ohm min.	0.1Amax.	10Vmax.	1.1 ohm max.		
	ELKU181FB	180 ohm typ.	126 ohm min.					
	ELKU271FB	270 ohm typ.	189 ohm min.					
[ RELIABILITY CHARACTERISTICS 1/2 ]								
ITEM			SPECIFICATION			TEST METHOD/CONDITION		
Temperature characteristic		1.Common mode impedance shall not change more than $\pm 30\%$			-20~85°C standard : Values at 20°C			
Dielectric with-standing voltage		1. There shall be no evidence of short or open circuit			10V DC 1 minute between terminals and ferrite body			
Damp heat ( steady state ) Humidity ( steady state )		1. There shall not be body deformation or change in appearance. 2. Common mode impedance shall not change more than $\pm 30\%$			CMC shall be subjected to 90~95%RH at 60°C $\pm 2^\circ\text{C}$ for 500 $\pm 8$ hours. Measurements shall be made after 48hours stabilized at room temperature.			
Change of Temperature (Temperature shock)					(1)-40°C 30 minutes (2)85°C 30 minutes. Measurements shall be made after 48hours stabilized at room temperature.			
Dry heat /High Temperature		1. There shall not be body deformation or change in appearance. 2. Common mode impedance shall not change more than $\pm 30\%$			CMC shall be subjected to 85 $\pm 2^\circ\text{C}$ for 500 $\pm 8$ hours. Measurements shall be made after 48 hours stabilized at room temperature.			
Cold /Low Temperature					CMC shall be subjected to -40 $\pm 2^\circ\text{C}$ for 500 $\pm 8$ hours. Measurements shall be made after 48 hours stabilized at room temperature.			
Endurance (Dry heat)		1. There shall not be body deformation or change in appearance. 2. Common mode impedance shall not change more than $\pm 30\%$			With rated current and voltage applied,CMC shall be subjected to 85 $\pm 2^\circ\text{C}$ for 500 $\pm 8$ hours. Measurements shall be made after 48 hours stabilized at room temperature.			
Endurance (Damp heat, steady state)					With rated current and voltage applied,CMC shall be subjected to 90~95%RH at 60 $\pm 2^\circ\text{C}$ for 500 $\pm 8$ hours. Measurements shall be made after 48 hours stabilized at room temperature.			

MATSUSHITA ELECTRONIC COMPONENTS CO.,LTD.

SPECIFICATIONS		151 - ELKU - 4 - 10 - E
Common Mode Choke Coil		7 - 4
[ RELIABILITY CHARACTERISTICS 2/2 ]		CMC:Common Mode Choke coil
ITEM	SPECIFICATION	TEST METHOD / CONDITION
Solderability	The terminal shall be at least 90 % covered with solder.	After fluxing, CMC shall be dipped in a melted solder bath at $230 \pm 5$ °C for $2 \pm 0.5$ seconds. (Solder : H63A)
Resistance to soldering heat	1. There shall not be body deformation or change in appearance.	After a $150 \pm 10$ °C preheat cycle for 1 minutes, CMC shall be dipped in a melted solder bath at $270 \pm 5$ °C for $10 \pm 0.5$ seconds. (Solder : H63A)
Vibration (Low frequency)	2. Common mode impedance shall not change more than $\pm 30$ %	Apply vibration at changing frequencies 10~55Hz per 60 seconds, with an amplitude of 1.5mm to the X, Y and Z directions for 2 hours each. The body is fixed to a PC board by terminals soldering.
Free fall		CMC shall be dropped 10 times from a height of 1m onto a wooden board.
Bend strength	Shall not be disconnection	The 5 cycle load shall be applied on a PCB which is soldered CMC and it is bent 2mm then it returns to original position. 

# SPECIFICATIONS

151 - ELKU - 5 - 10 - E

## Common Mode Choke Coil

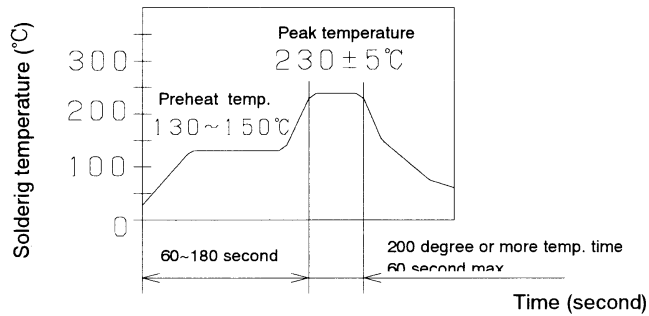
7 - 5

### [ REFLOW SOLDERING ]

Infrared reflow soldering :

This type of reflow soldering at first shall be conducted from 130°C to 150°C preheat for 60 to 180 seconds, successively for up to 60 seconds in electrode temperature ranges of 200°C or more, and for no more than 5 seconds at a peak temperature of 235°C.

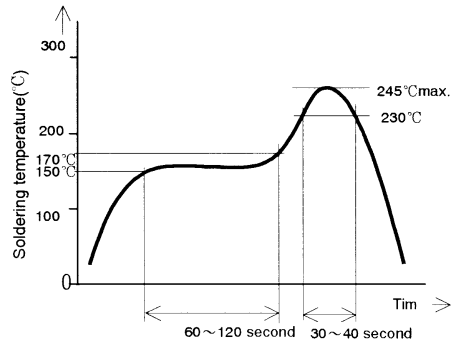
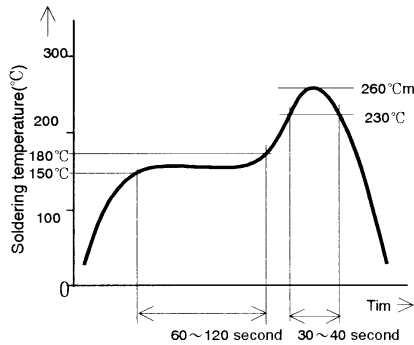
Temperature Profile, Typical



### [ LEAD FREE RESISTANCE OF REFLOW SOLDERING ]

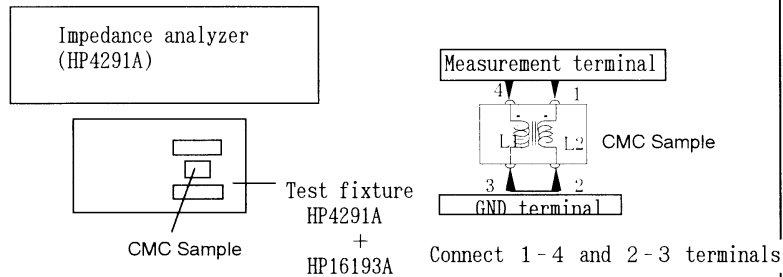
### [ LEAD FREE SOLDEBILITY OF REFLOW SOLDERING ]

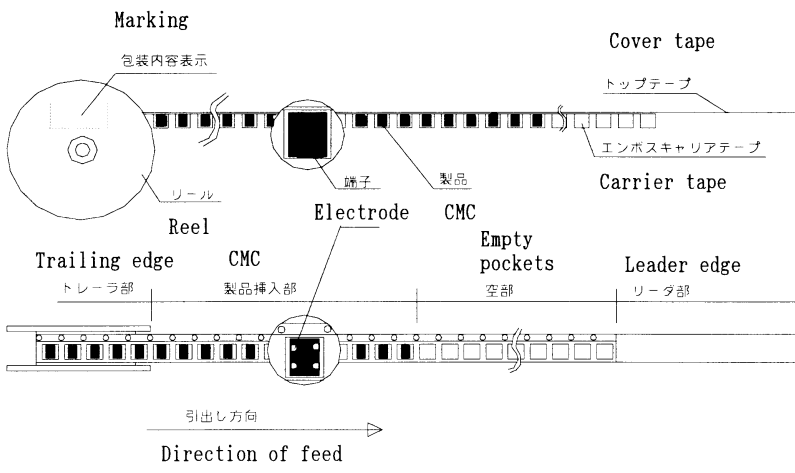
Lead free solder is Sn-3.0Ag-0.5Cu



### [ MEASUREMENT METHOD OF ELECTRICAL CHARACTERISTICS ]

Measurement of Common Mode Impedance with impedance analyzer HP4291A or equivalent.



<b>SPECIFICATIONS</b>	151 - ELKU- 6 - 10 - E
<b>Common Mode Choke Coil</b>	7 - 6
<p><b>[ PACKAGING ]</b></p> <p><b>TAPING</b>  Embossed carrier tape (8mm width,4mm pitch) and 178mm diameter reel shall be employed as per JIS C 0806.</p> <p><b>1. QUANTITY PER REEL</b>  3,000 pcs.  There shall not be more empty pockets than two and those pockets shall not be consecutive.</p> <p><b>2. PACKAGING</b></p>  <p>2 - 1 As show above,there shall be a leading edge consisting of 25 empty pockets as well as cover tape and a trailing edge consisting of 10 or more empty pockets.</p> <p>2 - 2 CMC(Common Mode Choke Coil) shall be packaged and electrodes shall be vertical to the longitude of the pockets.</p> <p>2 - 3 CMC shall be oriented as specified on the above illustration.</p> <p><b>3. MARKING</b>  Customer's part No,our part No,quantity and manufacturer's name shall be marked on the reel label.</p>	

# SPECIFICATIONS

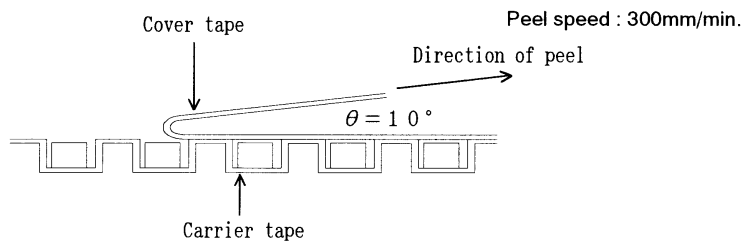
151 - ELKU - 7 - 10 - E

## Common Mode Choke Coil

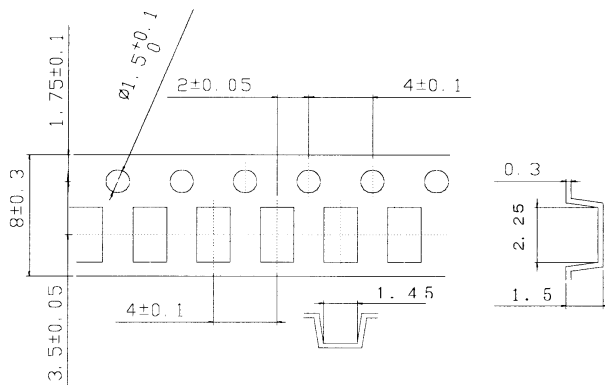
7 - 7

### 4. COVER TAPE PEEL STRENGTH AND TEST METHOD

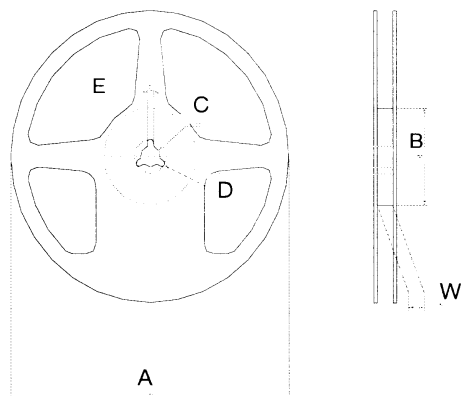
The cover tape peel strength shall be 0.098N ~ 0.68N (10g ~ 70g) when measured as shown below.



### 5. CARRIER TAPE DIMENSIONS



### 6. REEL DIMENSIONS



	UNIT
A	$\Phi 178 \pm 2.0$
B	$\Phi 60 \pm 0.5$
C	$13.0 \pm 0.5$
D	$21.0 \pm 0.8$
E	$2.0 \pm 0.5$
W	$9.0 \pm 0.3$

(unit ; mm)

## Looking for pricing, stock, or lifecycle information?

Click below to explore more details on WIN SOURCE:

 [View ELKU101FB on WIN SOURCE](#)

 [Panasonic Information](#)

## Optimize Your Supply Chain with WIN SOURCE Solutions

-  Global Sourcing Solution
-  Obsolete Management
-  Cost Control Management
-  Shortage Management
-  Alternative Solution
-  Excess Inventory Management