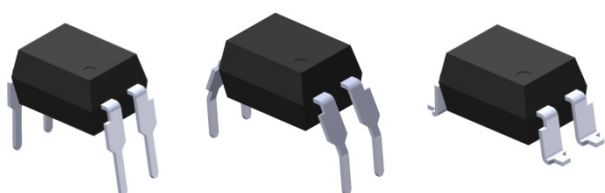




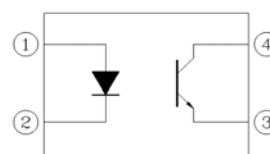
THE DATASHEET OF EL817(C)-G



4 PIN DIP PHOTOTRANSISTOR PHOTOCOUPLER EL817-G Series



Schematic



Features:

- Halogens free.
- Current transfer ratio (CTR: 50~600% at $I_F = 5\text{mA}$, $V_{CE} = 5\text{V}$)
- High isolation voltage between input and output (Viso=5000 V rms)
- Creepage distance >7.62 mm
- Operating temperature up to +110°C
- Compact small outline package
- Pb free and RoHS compliant.
- UL approved (No. E214129)
- VDE approved (No. 132249)
- SEMKO approved
- NEMKO approved
- DEMKO approved
- FIMKO approved
- CSA approved
- CQC approved

Pin Configuration

1. Anode
2. Cathode
3. Emitter
4. Collector

Description

The EL817-G series of devices each consist of an infrared emitting diodes, optically coupled to a phototransistor detector encapsulated with green compound. The devices are in a 4-pin DIP package and available in wide-lead spacing and SMD option.

Applications

- Programmable controllers
- System appliances, measuring instruments
- Telecommunication equipments
- Home appliances, such as fan heaters, etc.
- Signal transmission between circuits of different potentials and impedances

Absolute Maximum Ratings (Ta=25°C)

| | Parameter | Symbol | Rating | Unit |
|-------------------------------------|-----------------------------------|------------|--------|-------|
| Input | Forward current | I_F | 60 | mA |
| | Peak forward current (1us, pulse) | I_{FP} | 1 | A |
| | Reverse voltage | V_R | 6 | V |
| | Power Dissipation | | P_D | 100 |
| 2.9 | | | | mW/°C |
| Output | Break Down Voltage | P_C | 150 | mW |
| | | | 5.8 | mW/°C |
| | Collector current | I_C | 50 | mA |
| | Collector-Emitter voltage | V_{CEO} | 80 | V |
| | Emitter-Collector voltage | V_{ECO} | 7 | V |
| Total Power Dissipation | P_{TOT} | 200 | mW | |
| Isolation Voltage* ¹ | V_{ISO} | 5000 | V rms | |
| Operating Temperature | T_{OPR} | -55 to 110 | °C | |
| Storage Temperature | T_{STG} | -55 to 125 | °C | |
| Soldering Temperature* ² | T_{SOL} | 260 | °C | |

Notes:

*1 AC for 1 minute, R.H.= 40 ~ 60% R.H. In this test, pins 1, 2 are shorted together, and pins 3, 4 are shorted together.

*2 For 10 seconds

Electro-Optical Characteristics (Ta=25°C unless specified otherwise)

Input

| Parameter | Symbol | Min. | Typ. | Max. | Unit | Condition |
|-------------------|----------|------|------|------|---------------|--------------------------|
| Forward Voltage | V_F | - | 1.2 | 1.4 | V | $I_F = 20\text{mA}$ |
| Reverse Current | I_R | - | - | 10 | μA | $V_R = 4\text{V}$ |
| Input capacitance | C_{in} | - | 30 | 250 | pF | $V = 0, f = 1\text{kHz}$ |

Output

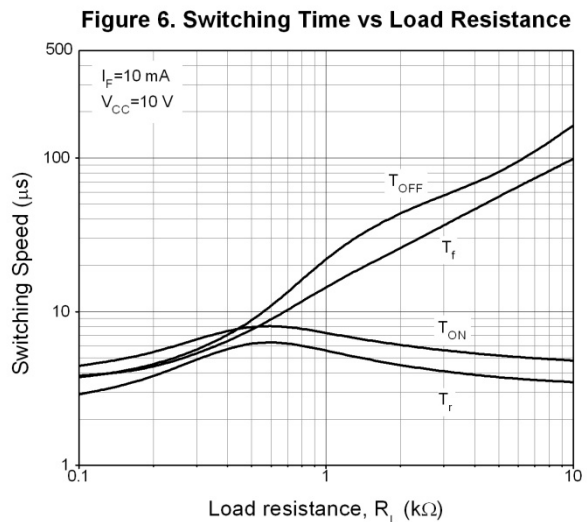
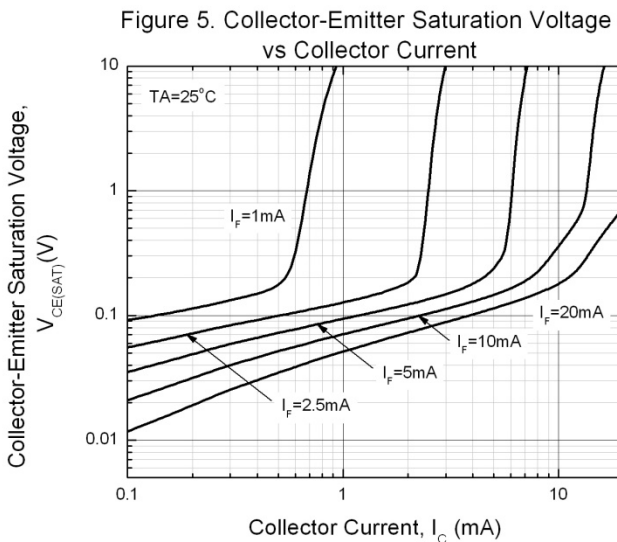
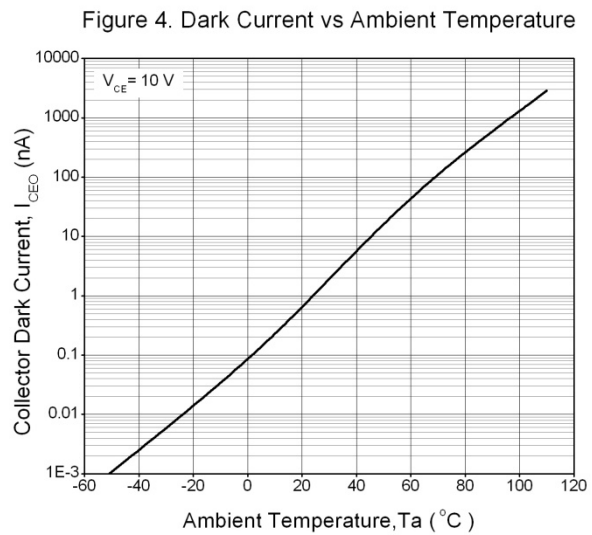
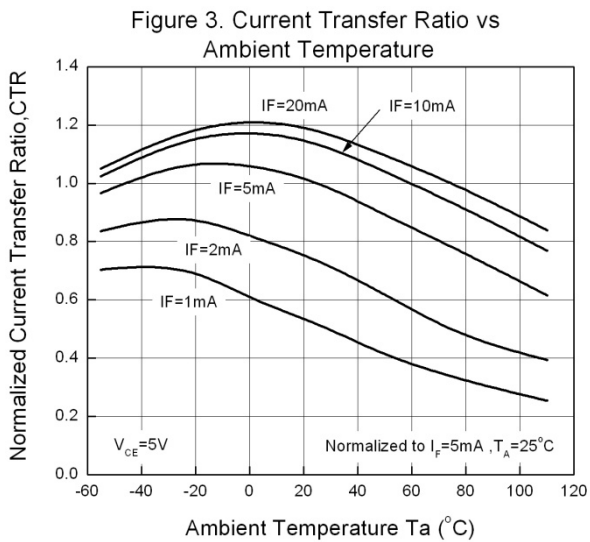
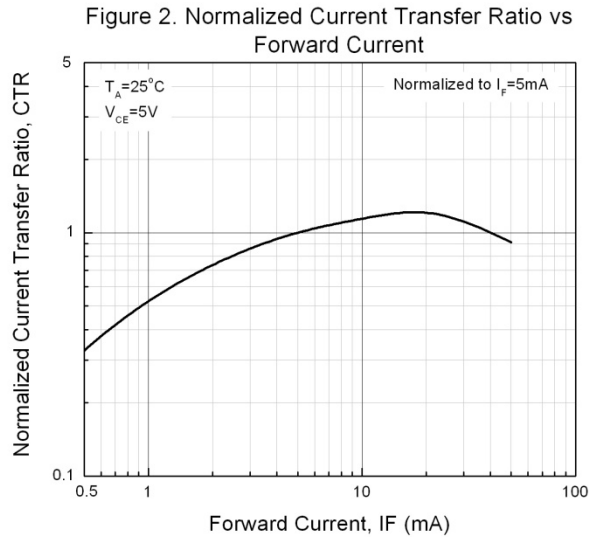
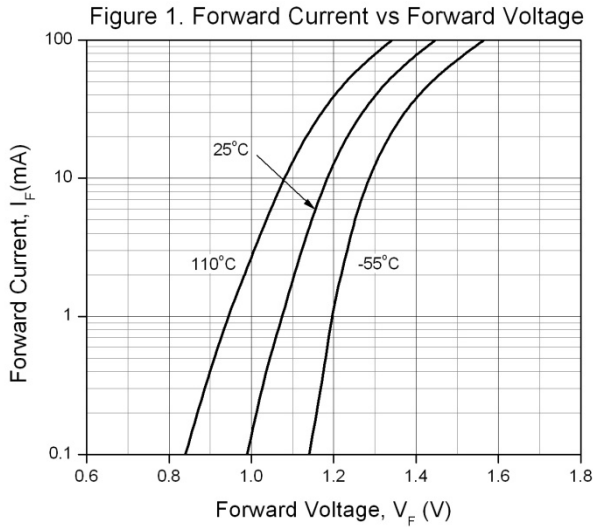
| Parameter | Symbol | Min | Typ. | Max. | Unit | Condition |
|-------------------------------------|------------|-----|------|------|------|---|
| Collector-Emitter dark current | I_{CEO} | - | - | 100 | nA | $V_{CE} = 20\text{V}, I_F = 0\text{mA}$ |
| Collector-Emitter breakdown voltage | BV_{CEO} | 80 | - | - | V | $I_C = 0.1\text{mA}$ |
| Emitter-Collector breakdown voltage | BV_{ECO} | 7 | - | - | V | $I_E = 0.1\text{mA}$ |

Transfer Characteristics

| Parameter | Symbol | Min | Typ. | Max. | Unit | Condition |
|--------------------------------------|---------------|--------------------|------|------|---------------|--|
| Current Transfer ratio | EL817 | 50 | - | 600 | % | $I_F = 5\text{mA}, V_{CE} = 5\text{V}$ |
| | EL817A | 80 | - | 160 | | |
| | EL817B | 130 | - | 260 | | |
| | EL817C | 200 | - | 400 | | |
| | EL817D | 300 | - | 600 | | |
| | EL817X | 100 | - | 200 | | |
| | EL817Y | 150 | - | 300 | | |
| Collector-Emitter saturation voltage | $V_{CE(sat)}$ | - | 0.1 | 0.2 | V | $I_F = 20\text{mA}, I_C = 1\text{mA}$ |
| Isolation resistance | R_{IO} | 5×10^{10} | - | - | Ω | $V_{IO} = 500\text{Vdc}, 40\sim 60\% \text{ R.H.}$ |
| Floating capacitance | C_{IO} | - | 0.6 | 1.0 | pF | $V_{IO} = 0, f = 1\text{MHz}$ |
| Cut-off frequency | f_c | - | 80 | - | kHz | $V_{CE} = 5\text{V}, I_C = 2\text{mA}, R_L = 100\Omega, -3\text{dB}$ |
| Rise time | t_r | - | 6 | 18 | μs | $V_{CE} = 2\text{V}, I_C = 2\text{mA}, R_L = 100\Omega$ |
| Fall time | t_f | - | 8 | 18 | μs | |

* Typical values at $T_a = 25^\circ\text{C}$

Typical Electro-Optical Characteristics Curves



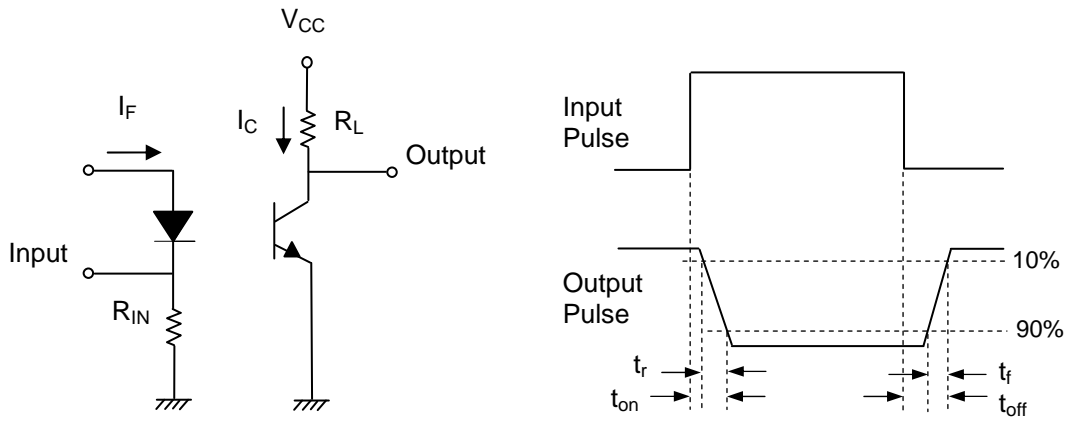


Figure 7. Switching Time Test Circuit & Waveforms

Order Information

Part Number

EL817X(Y)(Z)-FVG

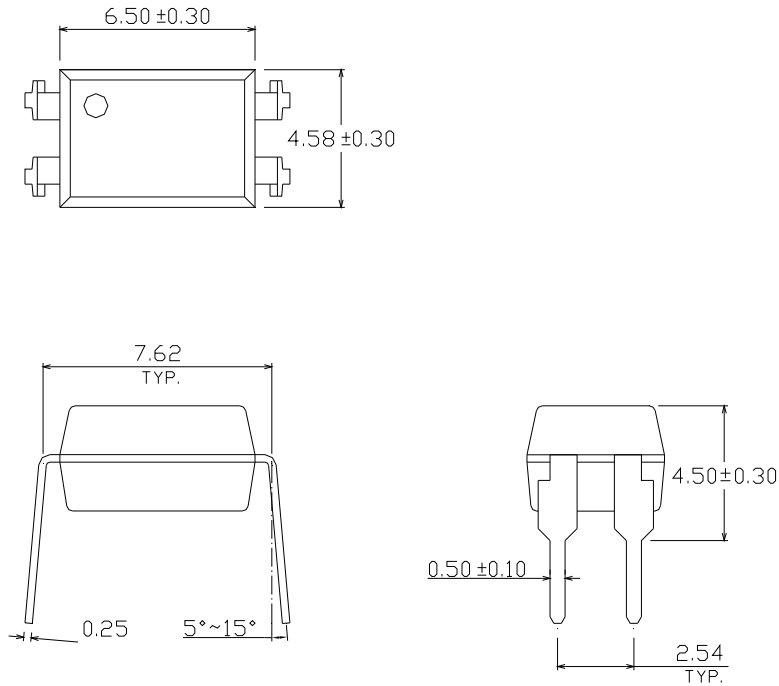
Note

- X = Lead form option (S, S1, S2, M or none)
- Y = CTR Rank (A, B, C, D, X, Y or none)
- Z = Tape and reel option (TA, TB, TU, TD or none).
- F = Lead frame option (F: Iron, None: copper)
- V = VDE safety (optional).
- G = Halogens free

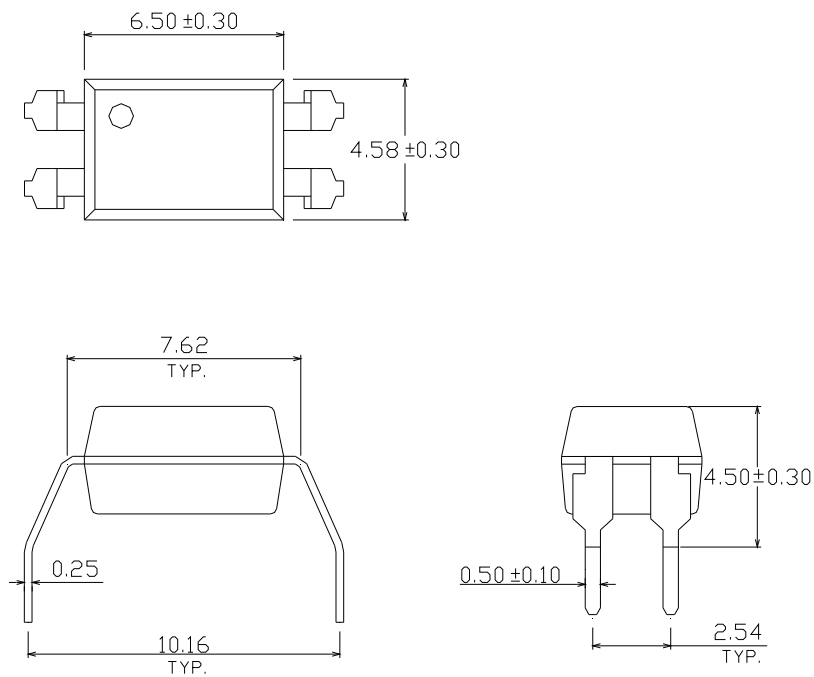
| Option | Description | Packing quantity |
|---------|---|---------------------|
| None | Standard DIP-4 | 100 units per tube |
| M | Wide lead bend (0.4 inch spacing) | 100 units per tube |
| S (TA) | Surface mount lead form + TA tape & reel option | 1000 units per reel |
| S (TB) | Surface mount lead form + TB tape & reel option | 1000 units per reel |
| S1 (TA) | Surface mount lead form (low profile) + TA tape & reel option | 1000 units per reel |
| S1 (TB) | Surface mount lead form (low profile) + TB tape & reel option | 1000 units per reel |
| S2 (TA) | Surface mount lead form (Gull-wing) + TA tape & reel option | 500 units per reel |
| S2 (TB) | Surface mount lead form (Gull-wing) + TB tape & reel option | 500 units per reel |
| S (TU) | Surface mount lead form + TU tape & reel option | 1500 units per reel |
| S (TD) | Surface mount lead form + TD tape & reel option | 1500 units per reel |
| S1 (TU) | Surface mount lead form (low profile) + TU tape & reel option | 1500 units per reel |
| S1 (TD) | Surface mount lead form (low profile) + TD tape & reel option | 1500 units per reel |

Package Dimension (Dimensions in mm)

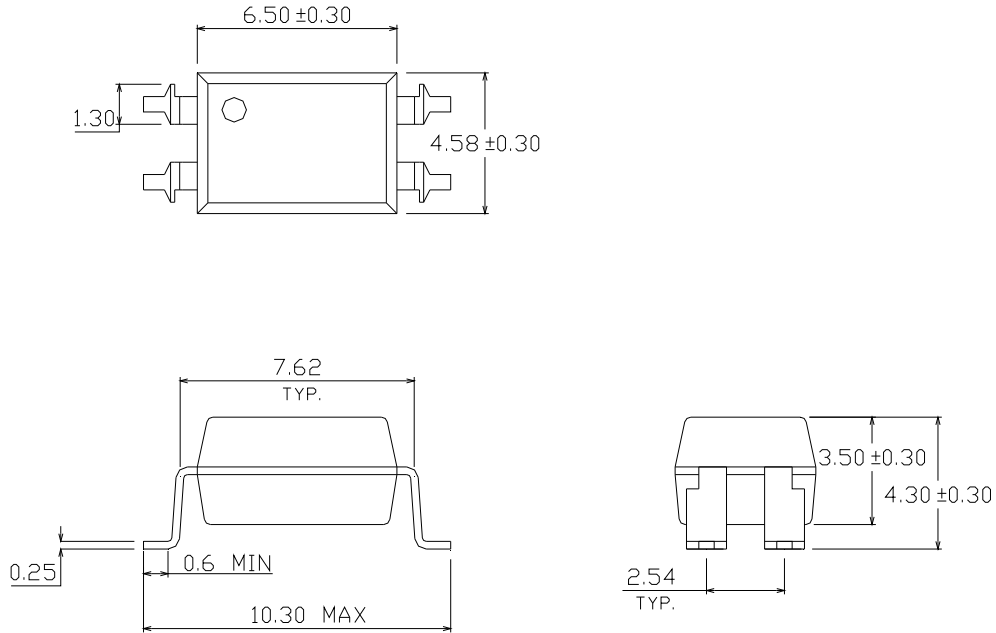
Standard DIP Type



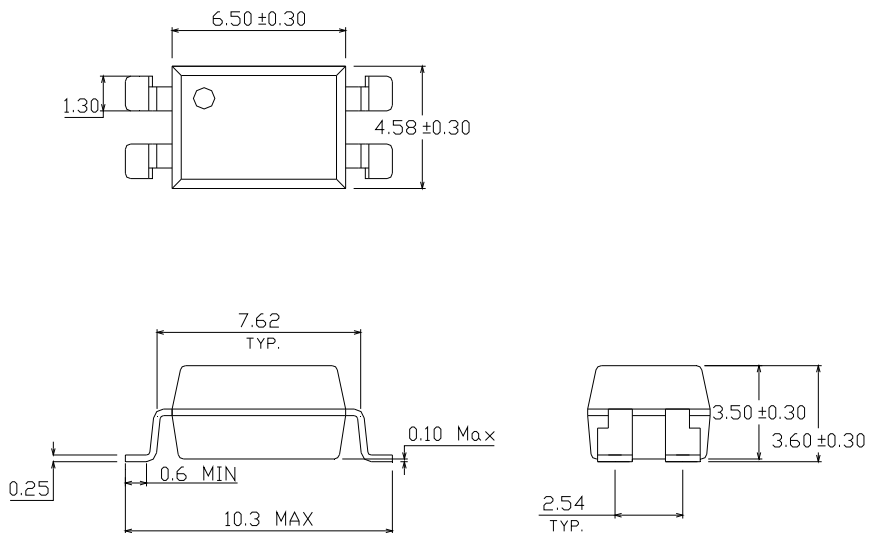
Option M Type



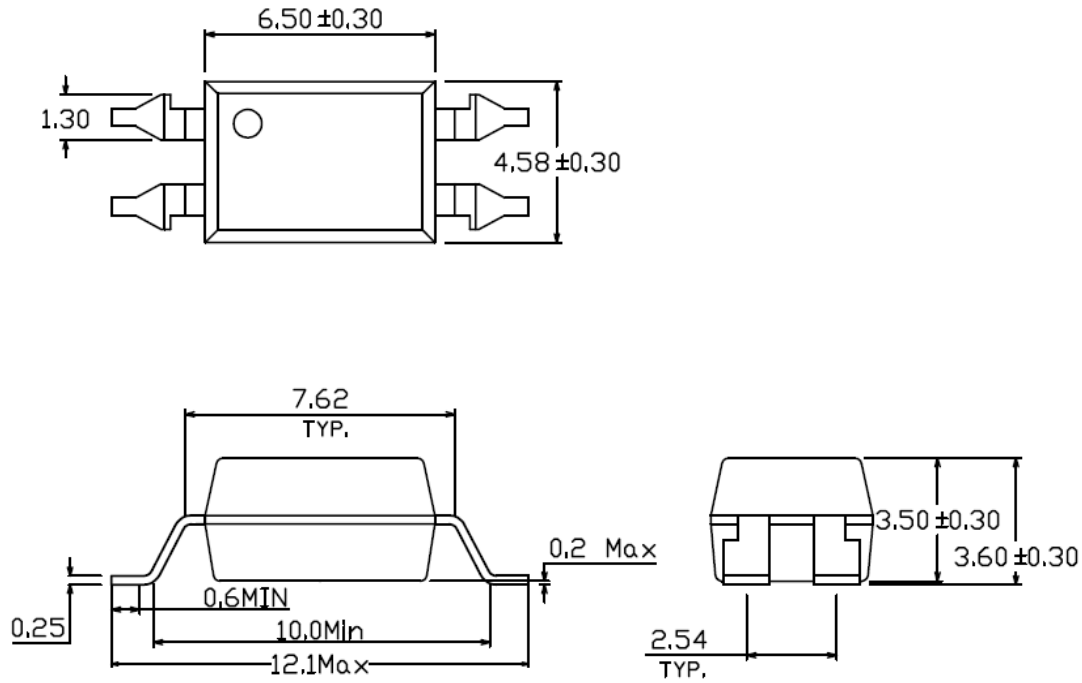
Option S Type



Option S1 Type

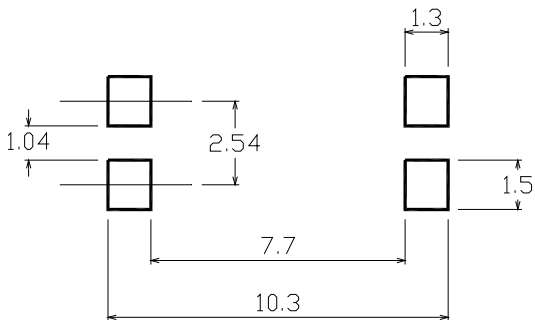


Option S2 Type

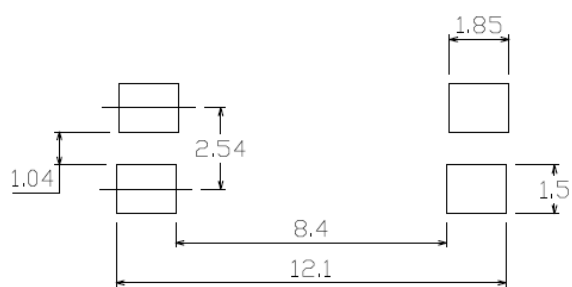


Recommended pad layout for surface mount leadform

For S and S1 option



For S2 option



Device Marking

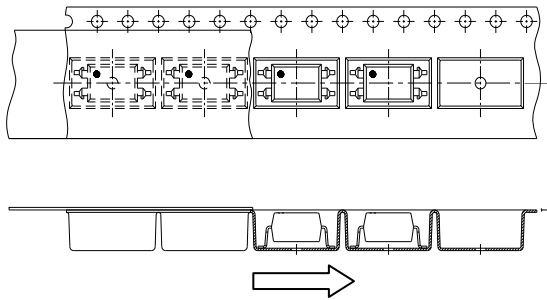


Notes

| | |
|-----|---------------------------------------|
| EL | denotes EVERLIGHT |
| 817 | denotes Device Number |
| R | denotes CTR Rank (A, B, C, D or none) |
| Y | denotes 1 digit Year code |
| WW | denotes 2 digit Week code |
| V | denotes VDE (optional) |

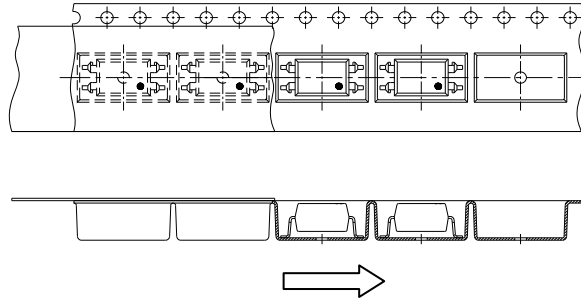
Tape & Reel Packing Specifications

Option TA



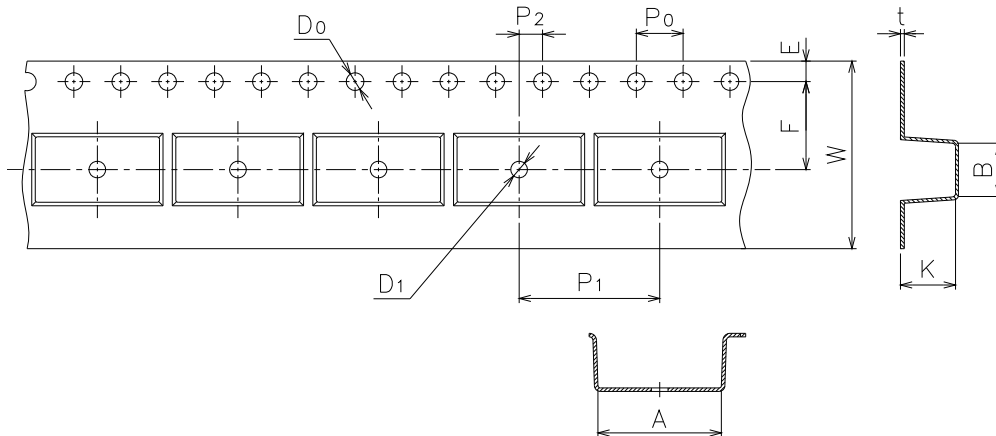
Direction of feed from reel

Option TB



Direction of feed from reel

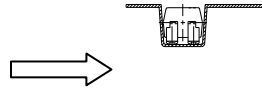
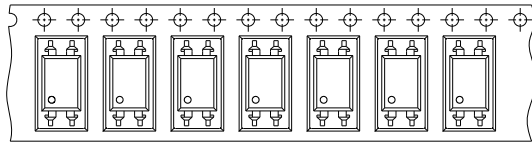
Tape dimensions



Tape dimensions

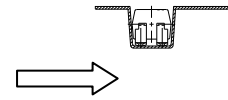
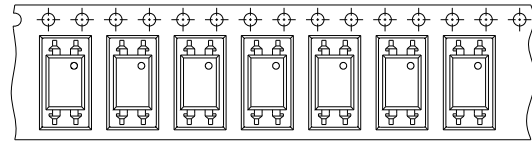
| | | | | | | |
|----------------------|-----------|-----------|-----------|-----------|----------|----------|
| Dimension No. | A | B | Do | D1 | E | F |
| Dimension (mm) | 10.5±0.1 | 4.65±0.1 | 1.55±0.1 | 1.50±0.1 | 1.75±0.1 | 7.5±0.1 |
| Dimension (mm) S2 | 12.15±0.1 | 4.65±0.1 | 1.55±0.1 | 1.50±0.1 | 1.75±0.1 | 7.5±0.1 |
| Dimension No. | Po | P1 | P2 | t | W | K |
| Dimension (mm) | 4.0±0.1 | 12.0±0.1 | 2.0±0.1 | 0.35±0.1 | 16.0±0.3 | 4.75±0.1 |
| Dimension (mm) S2 | 4.0±0.1 | 16.0±0.1 | 2.0±0.1 | 0.35±0.1 | 16.0±0.3 | 3.90±0.1 |

Option TD



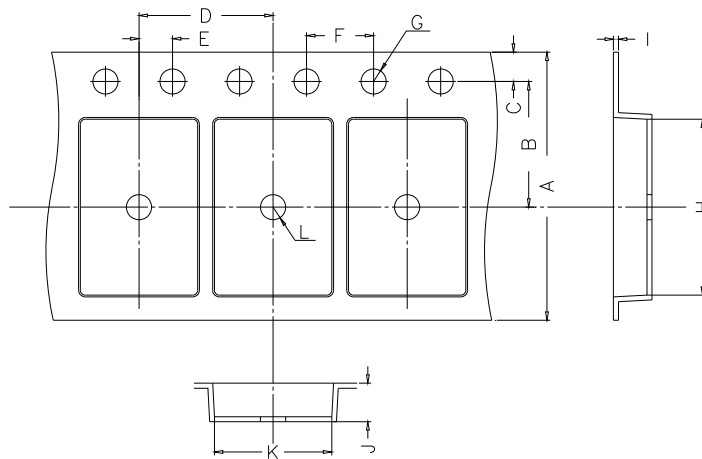
Direction of feed from reel

Option TU



Direction of feed from reel

Tape dimensions

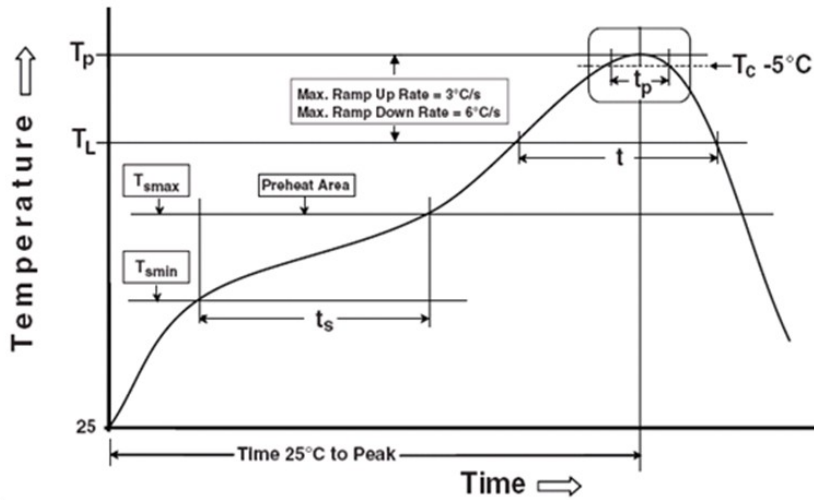


| | | | | | | |
|---------------|-----------|----------|----------|----------|----------|-----------|
| Dimension No. | A | B | C | D | E | F |
| Dimension(mm) | 16.00±0.3 | 7.5±0.1 | 1.75±0.1 | 8.0±0.1 | 2.0±0.1 | 4.0±0.1 |
| Dimension No. | G | H | I | J | K | L |
| Dimension(mm) | 1.55±0.05 | 10.4±0.1 | 0.4±0.05 | 4.60±0.1 | 5.1±0.1 | 1.55±0.05 |

Precautions for Use

1. Soldering Condition

1.1 (A) Maximum Body Case Temperature Profile for evaluation of Reflow Profile



Note:

Reference: IPC/JEDEC J-STD-020D

Preheat

| | |
|--|-----------------|
| Temperature min (T_{smin}) | 150 °C |
| Temperature max (T_{smax}) | 200°C |
| Time (T_{smin} to T_{smax}) (t_s) | 60-120 seconds |
| Average ramp-up rate (T_{smax} to T_p) | 3 °C/second max |

Other

| | |
|--|------------------|
| Liquidus Temperature (T_L) | 217 °C |
| Time above Liquidus Temperature (t_L) | 60-100 sec |
| Peak Temperature (T_p) | 260°C |
| Time within 5 °C of Actual Peak Temperature: $T_p - 5^\circ\text{C}$ | 30 s |
| Ramp- Down Rate from Peak Temperature | 6°C /second max. |
| Time 25°C to peak temperature | 8 minutes max. |
| Reflow times | 3 times |

DISCLAIMER

1. Above specification may be changed without notice. EVERLIGHT will reserve authority on material change for above specification.
2. When using this product, please observe the absolute maximum ratings and the instructions for using outlined in these specification sheets. EVERLIGHT assumes no responsibility for any damage resulting from use of the product which does not comply with the absolute maximum ratings and the instructions included in these specification sheets.
3. These specification sheets include materials protected under copyright of EVERLIGHT corporation. Please don't reproduce or cause anyone to reproduce them without EVERLIGHT's consent.

Looking for pricing, stock, or lifecycle information?

Click below to explore more details on WIN SOURCE:

- [View EL817\(C\)-G on WIN SOURCE](#)
- [Everlight Electronics Co Ltd Information](#)

Optimize Your Supply Chain with WIN SOURCE Solutions

- ✓ Global Sourcing Solution
- ✓ Obsolete Management
- ✓ Cost Control Management
- ✓ Shortage Management
- ✓ Alternative Solution
- ✓ Excess Inventory Management