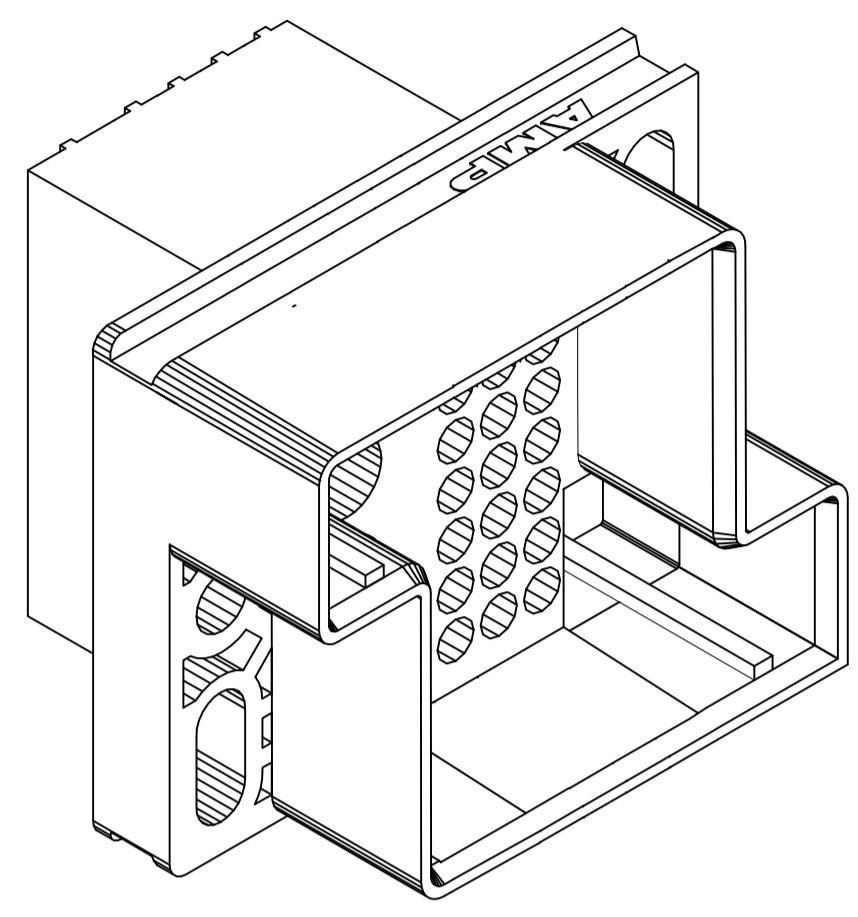
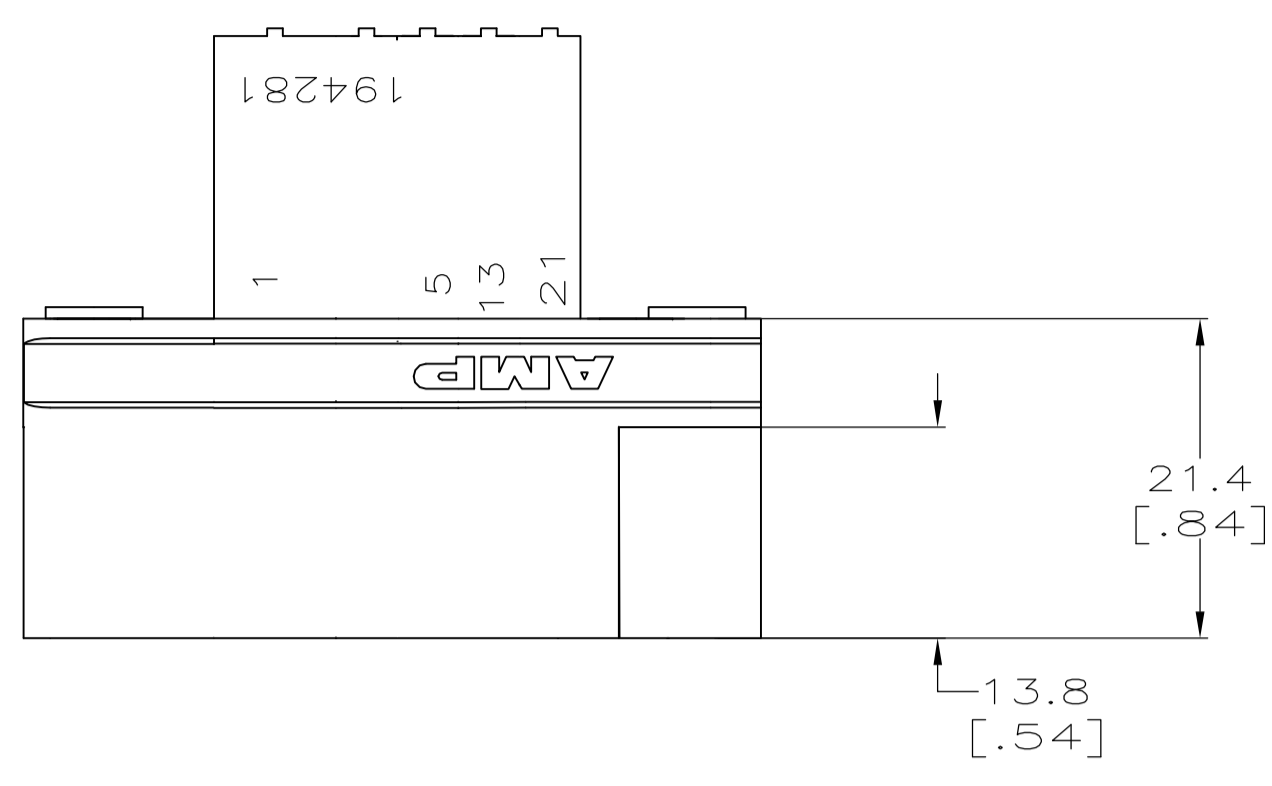


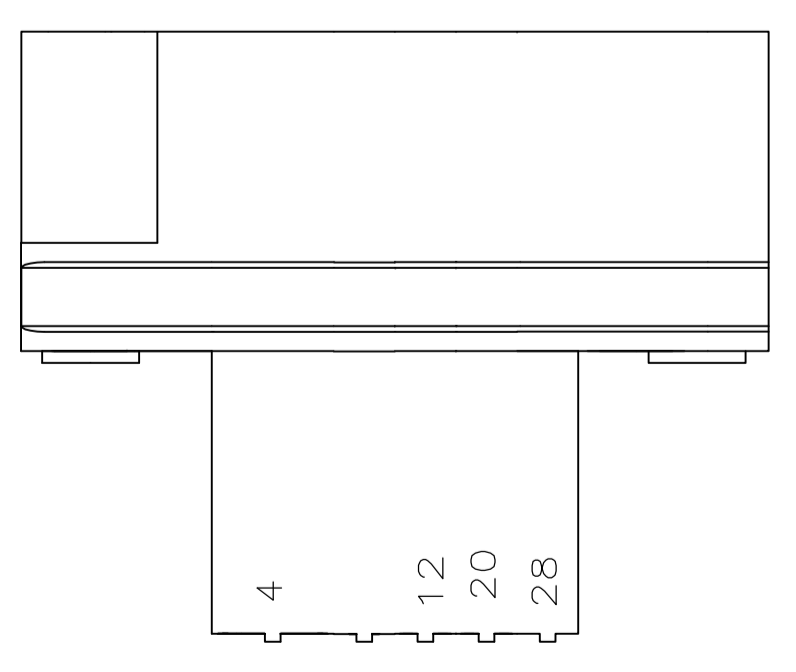
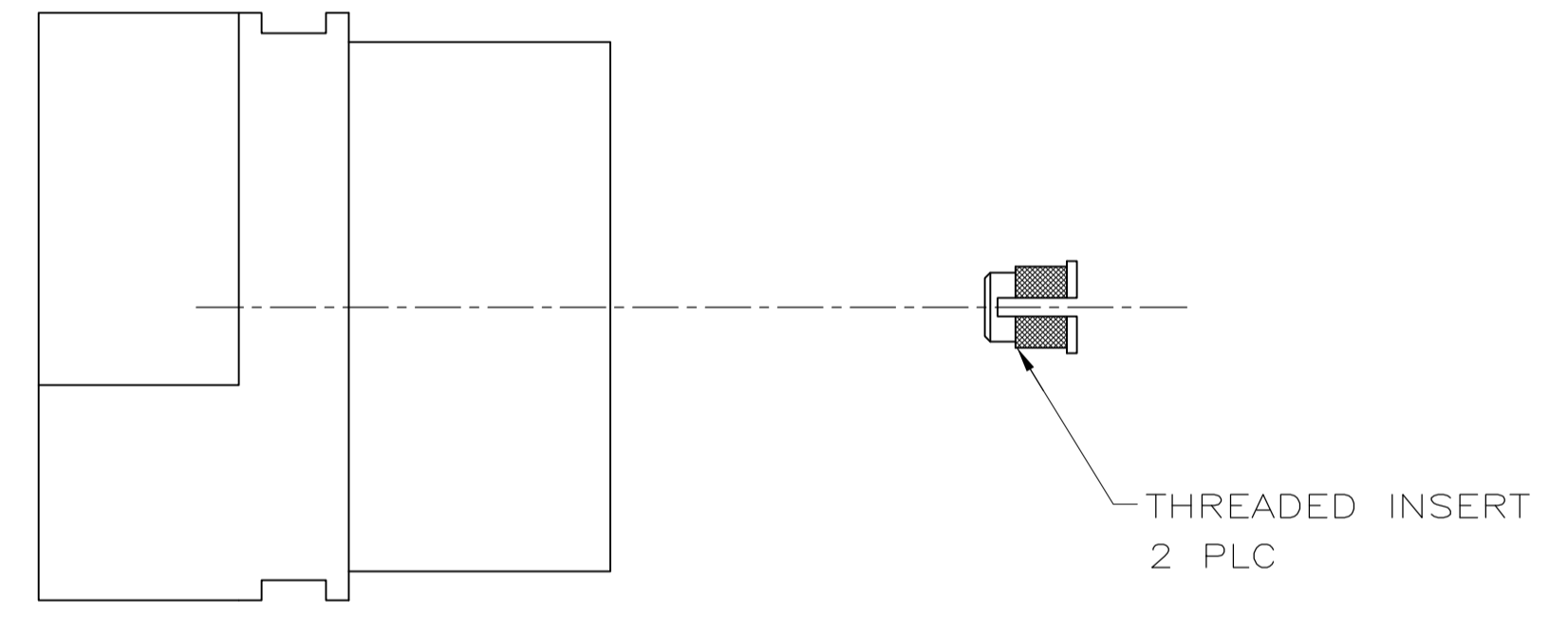
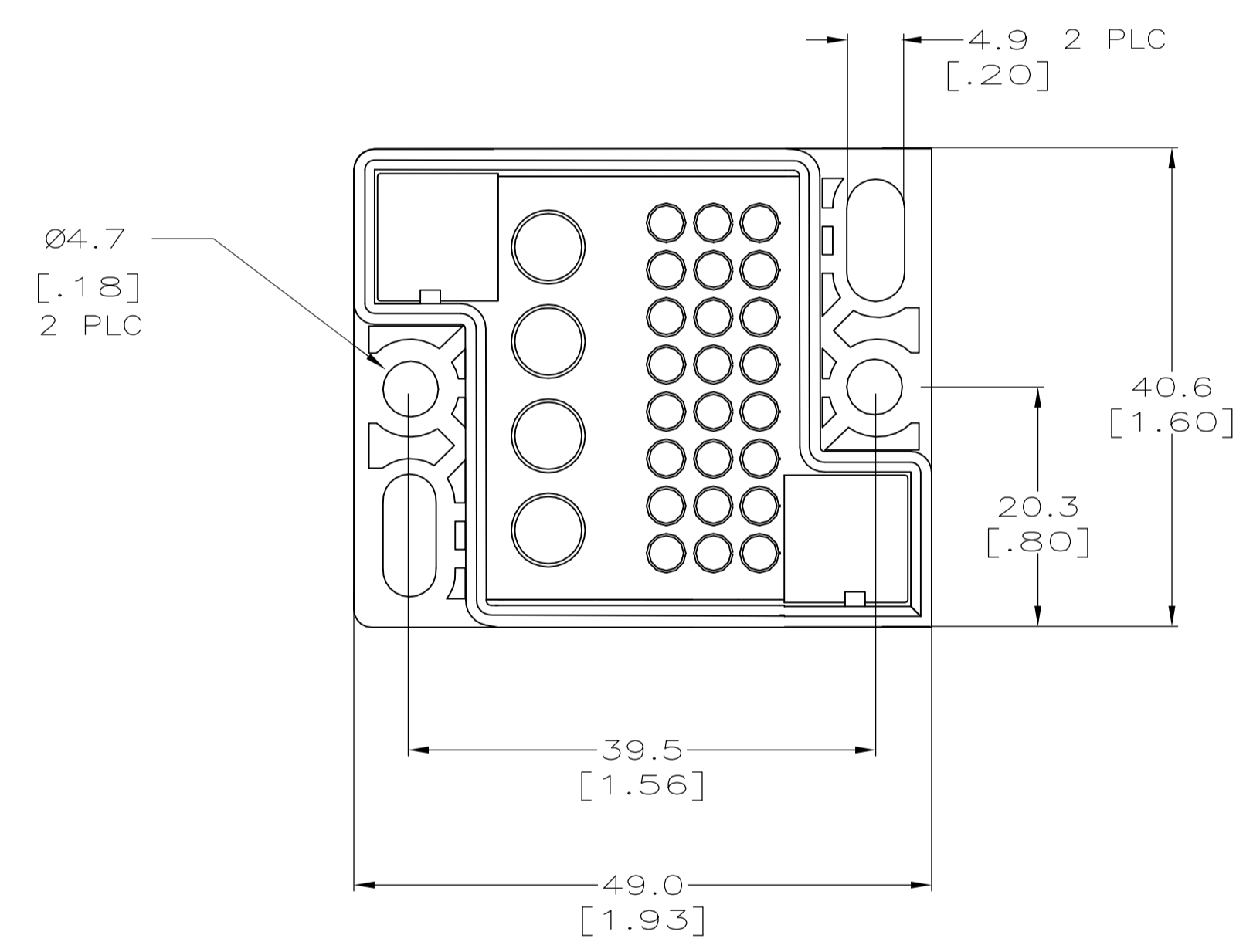
THIS DRAWING IS UNPUBLISHED. RELEASED FOR PUBLICATION .19
 COPYRIGHT 19 BY AMP INCORPORATED. ALL RIGHTS RESERVED.

* AMPOWER is a trademark

LOC	DIST	REVISIONS					
CH	11	P	LTR	DESCRIPTION	DATE	DWN	APVD
		0		RELEASED FOR PRODUCTION	19/AUG/98	DAP	RAR
		A		EC 0B20-0118-99	29/JAN/99	RNP	RAR
		A1		REVISED PER ECO-09-024717	06NOV09	KK	AEG



1. MATERIAL: POLYESTER PCT, BLACK.
 2. POSITIONS 1-4 ARE FOR 3mm CONTACTS.
 3. POSITIONS 5-28 ARE FOR SIZE 16 CONTACTS.
 4. ALL DIMENSIONS EXCEPT PANEL CUT OUTS ARE REFERENCE ONLY.
- ⚠ OBSOLETE PARTS: OBSOLETE CIS STREAMLINING PER D.RENAUD/D.SINISI



⚠ OBSOLETE	#6-32 THREADED INSERT (REAR MOUNTED)	194281-4
	NO INSERTS	194281-1
	DESCRIPTION	PART NO

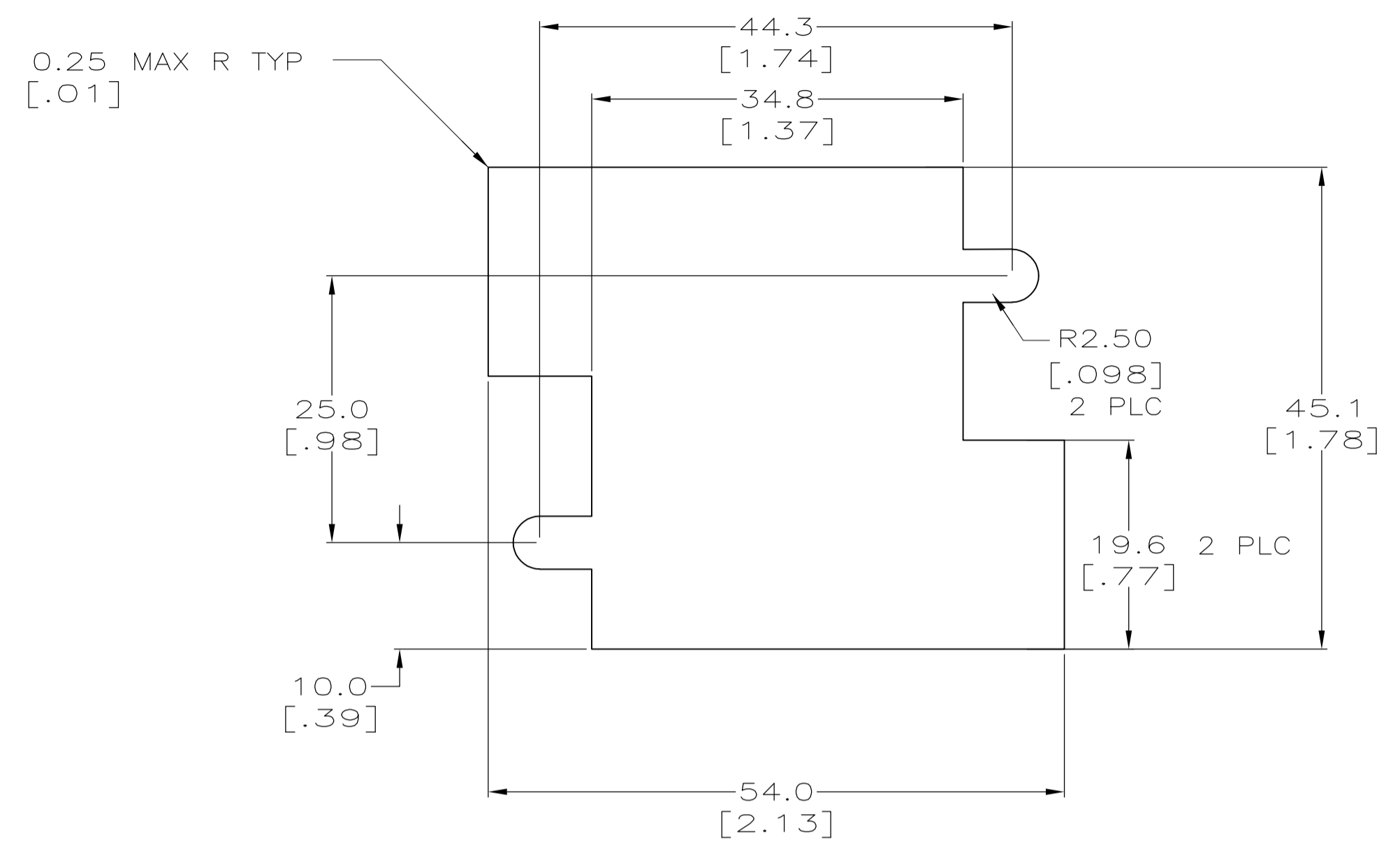
<small>THIS DRAWING IS A CONTROLLED DOCUMENT FOR AMP INCORPORATED. IT IS SUBJECT TO CHANGE AND THE CONTROLLING ENGINEERING ORGANIZATION SHOULD BE CONTACTED FOR THE LATEST REVISION.</small>		DWN D.A. PUERNER 16/JUN/98 CHN - APVD - NAME AMP AMP Incorporated Harrisburg, PA 17105-3608
DIMENSIONS: mm [in]	TOLERANCES UNLESS OTHERWISE SPECIFIED: 0 PLC ±- 1 PLC ±- 2 PLC ±- 3 PLC ±- 4 PLC ±- ANGLES ±-	PRODUCT SPEC APPLICATION SPEC SIZE A1
MATERIAL POLYESTER PCT, BLACK	FINISH -	WEIGHT - SCALE NONE SHEET 1 OF 2 REV A1

AMPOWER* Multi Pin Plus RECEPTACLE 28 POSITION

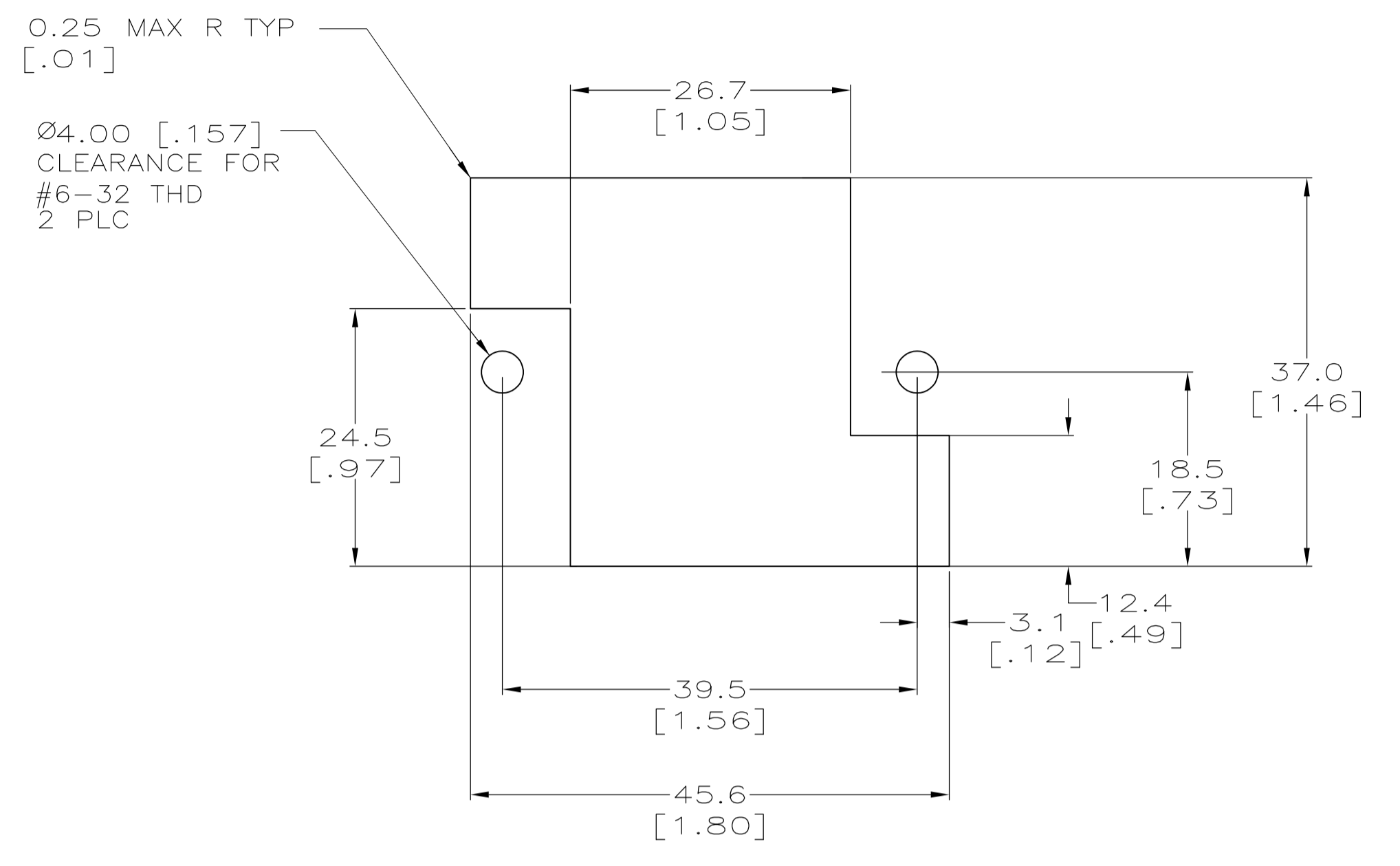
CAGE CODE 00779
 DRAWING NO. 194281
 CUSTOMER DRAWING

THIS DRAWING IS UNPUBLISHED. RELEASED FOR PUBLICATION .19
 © COPYRIGHT 19 BY AMP INCORPORATED. ALL RIGHTS RESERVED.

LOC		DIST		REVISIONS			
CH	11	P	LTR	DESCRIPTION	DATE	DWN	APVD
-	-	-	-	SEE SHEET 1	-	-	-



RECOMMENDED FLOAT MOUNT PANEL CUTOUT
EXTERNAL VIEW




RECOMMENDED STATIONARY MOUNT PANEL CUTOUT
EXTERNAL VIEW

THIS DRAWING IS A CONTROLLED DOCUMENT.		DWN D.A. PUERNER	16/JUN/98	AMP AMP Incorporated Harrisburg, PA 17105-3608	
DIMENSIONS: mm [in]		CHK -	APVD -	NAME AMPOWER Multi Pin Plus	
TOLERANCES UNLESS OTHERWISE SPECIFIED: 0 PLC ± 1 PLC ± 2 PLC ±0.20[.008] 3 PLC ±0.10[.004] 4 PLC ± ANGLES ±		PRODUCT SPEC -		APPLICATION SPEC -	
MATERIAL -	FINISH -	WEIGHT -	SIZE A1	CAGE CODE 00779	DRAWING NO 194281
CUSTOMER DRAWING			SCALE NONE	SHEET 2 of 2	REV A.1

Looking for pricing, stock, or lifecycle information?

Click below to explore more details on WIN SOURCE:

 [View 194281-1 on WIN SOURCE](#)

 [TE Connectivity](#) Information

Optimize Your Supply Chain with WIN SOURCE Solutions

-  Global Sourcing Solution
-  Obsolete Management
-  Cost Control Management
-  Shortage Management
-  Alternative Solution
-  Excess Inventory Management