



# THE DATASHEET OF EECS0HD104V



### Stacked Coin Type

Series: SD

Country of Origin

■ Feature

Endurance : 70°C 1000 h

Japan



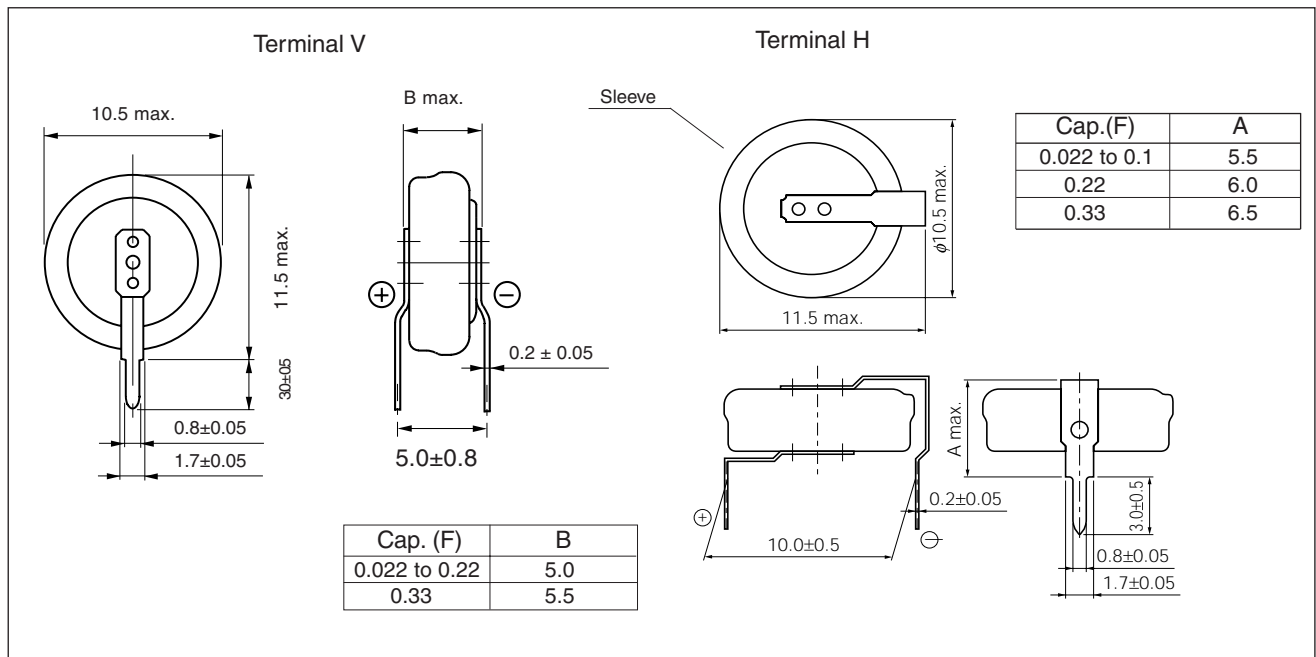
■ Recommended Applications

Memory back-up for Video, Audio, Cameras, Telephones, Printer, Data terminal, Rice cooker, Intelligent remote controller

■ Specifications

Category temp. range	-25 to +70°C	
Maximum Operating Voltage	5.5 V .DC	
Nominal Cap. Range	0.022 to 0.33 F	
Characteristics at Low Temperature	Capacitance change	±30% of initial measured value at +20°C (-25 to +70°C)
	Internal resistance	≤ 5 times of initial measured value at +20°C (at -25°C)
Endurance	After 1000 hours application of 5.5V. DC at +70°C, the capacitor shall meet the following limits.	
	Capacitance change	±30% of initial measured value
	Internal resistance	≤ 4 times of initial specified value
Shelf Life	After 1000 hours storage at +70°C without load, the capacitor shall meet the specified limits for Endurance.	
Moisture Resistance	After 500 hours storage at +55°C, 90 to 95% R.H., the capacitor shall meet the specified limits for Endurance.	

■ Dimensions in mm (not to scale)



■ Dimensions in mm (not to scale)



Maximum Operating Voltage (V.DC)	Capacitance (F)	Capacitance range (F)	Internal resistance (Ω) at 1kHz	Part number	Min. Packaging QTY (PCS)
5.5	0.022	0.0176 to 0.0396	≤150	EECS0HD 223( )	200
	0.047	0.0376 to 0.0846	≤120	EECS0HD 473( )	200
	0.10	0.080 to 0.180	≤ 75	EECS0HD 104( )	200
	0.22	0.176 to 0.396	≤ 75	EECS0HD 224( )	200
	0.33	0.264 to 0.594	≤ 75	EECS0HD 334( )	200

( ) Please fill V or H, which means terminal style.

Note:It is not allowed to go through reflow (IR,Atmosphere heating methods etc.) process.

## Looking for pricing, stock, or lifecycle information?

Click below to explore more details on WIN SOURCE:

-  [View EECS0HD104V on WIN SOURCE](#)
-  [Panasonic Information](#)

## Optimize Your Supply Chain with WIN SOURCE Solutions

-  Global Sourcing Solution
-  Obsolete Management
-  Cost Control Management
-  Shortage Management
-  Alternative Solution
-  Excess Inventory Management