

Metalized Polypropylene Film Capacitor

Series : **ECWFD**

Non-inductive construction using metalized Polypropylene film with flame retardant epoxy resin coating.



Features

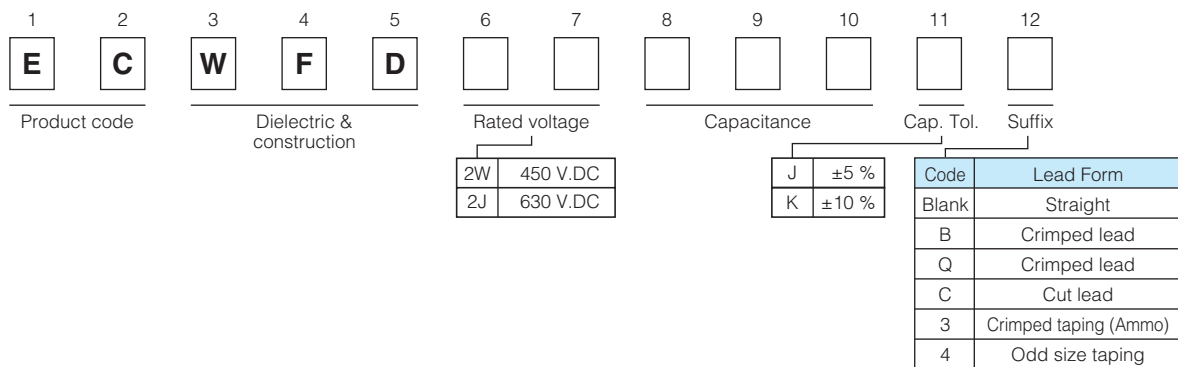
- Small size
- Low loss
- Low Hum Sound Noise
- Excellent frequency characteristics
- Flame-retardant epoxy resin coating
- RoHS directive compliant

Recommended applications

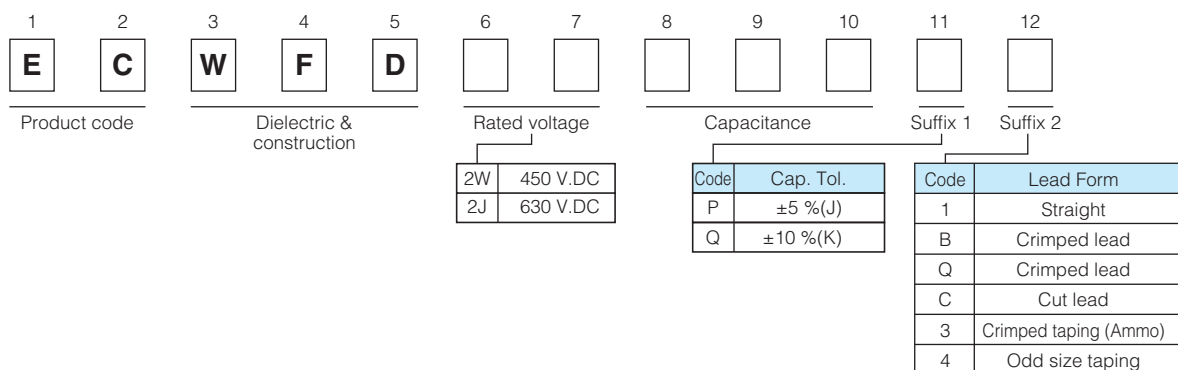
- Active filter circuit
- High frequency circuit

Explanation of part number

- Standard product



- Short lead space product 450 V.DC (0.47 μ F, 0.68 μ F, 1.0 μ F), 630 V.DC (1.0 μ F)

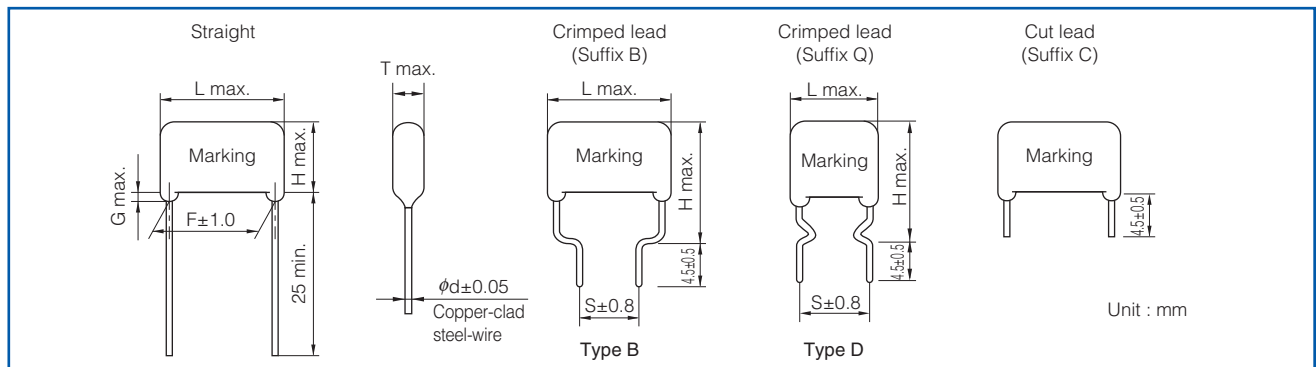


Specifications

Category temp. range (Including temperature-rise on unit surface)	450 V.DC	- 40 °C to +110 °C
	630 V.DC	- 40 °C to +105 °C
Rated voltage	450 V.DC (Derating of rated voltage by 0.62%/°C at more than 85°C Peak to peak voltage applied on the capacitor should be less than 240 Vp-p, and zero to peak voltage should be less than 450 Vo-p.)	
	630 V.DC (Derating of rated voltage by 1.0%/°C at more than 85°C Peak to peak voltage applied on the capacitor should be less than 400 Vp-p, and zero to peak voltage should be less than 630 Vo-p.)	
Capacitance range	450 V.DC	0.1 μF to 4.7 μF
	630 V.DC	0.047 μF to 4.7 μF
Capacitance tolerance	±5 % (J), ±10 % (K)	
Dissipation factor (tan δ)	tan δ ≤ 0.1 % (20 °C, 1 kHz)	
Withstand voltage	Between terminals: Rated voltage (V.DC) × 150 %, 60 s	
Insulation resistance (IR)	450 V.DC	C ≤ 0.33 μF : IR ≥ 30000 MΩ C > 0.33 μF : IR ≥ 10000 MΩ · μF (20 °C, 100 V.DC, 60 s)
	630 V.DC	C ≤ 0.33 μF : IR ≥ 9000 MΩ C > 0.33 μF : IR ≥ 3000 MΩ · μF (20 °C, 500 V.DC, 60 s)

* In case of applying voltage in alternating current (50 Hz or 60 Hz sine wave) to a capacitor with DC rated voltage, please refer to the page of "Permissible voltage (R.M.S) in alternating current corresponding to DC rated voltage".

Dimensions

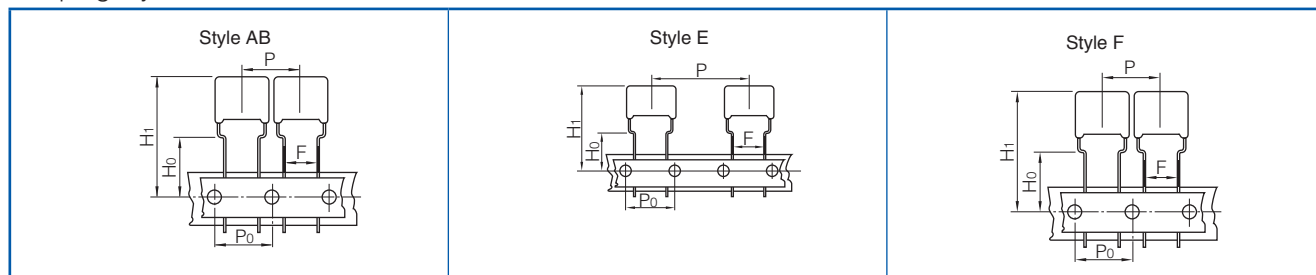


Packaging specifications for bulk package

- Packing quantity : 100 pcs./bag

Taping specifications for automatic insertion

- Taping style



* Refer to the page of taping specifications.

- Taping style

Series	Rated voltage (V.DC)	Capacitance range (μF)	Taping style							Packing	suffix
			AD	AS	AB	B	C	D	E		
ECWFD	450	0.10 to 0.39			○					Ammo	3
		0.47, 0.68, 1.0			○				P3/Q3		
		0.10 to 0.39							○		4
		0.47, 0.68, 1.0							○		P4/Q4
	630	0.47 to 2.2							○		4
		0.047 to 0.22							○		4
		0.27 to 0.82							○		4
		1.0						○	P4/Q4		

- Lead spacing

Style	Lead spacing
AB	5.0 mm
E	7.5 mm
F	7.5 mm

Rating · Dimensions · Quantity

● Rated voltage : 450 V.DC, Capacitance tolerance : $\pm 5\%$ (J), $\pm 10\%$ (K),

Part No.	Cap. (μ F)	Dimensions (mm)										Min. order Q'ty																																					
		L max.	T max.	H max.			F	S		G max.	ϕ d	Taping		Bulk																																			
				Straight	Crimped lead (Suffix B)	Crimped lead (Suffix Q)		Crimped lead (Suffix B)	Crimped lead (Suffix Q)			5.0 mm	7.5 mm	Straight	Crimped lead																																		
ECWFD2W104□()	0.10	12.6	4.5	-	-	-	-	-	-	-	0.6	1500	1400	-	-																																		
ECWFD2W124□()	0.12	12.6	4.6													13.9	13.9	7.5	10.0	0.6																													
ECWFD2W154□()	0.15	12.6	4.6													14.0	14.0	7.5	10.0	0.6																													
ECWFD2W184□()	0.18	12.6	4.8									14.1	14.1			7.5	10.0	0.6	1400	1300																													
ECWFD2W224□()	0.22	12.6	5.0									14.3	14.3			7.5	10.0	0.6																															
ECWFD2W274□()	0.27	12.6	5.3									14.6	14.6			7.5	10.0	0.6	1300	1200																													
ECWFD2W334□()	0.33	12.6	5.6									15.0	15.0			7.5	10.0	0.6																															
ECWFD2W394□()	0.39	12.6	6.0									15.4	15.4			7.5	10.0	0.6	1200	1100																													
★ ECWFD2W474P()	0.47	12.6	6.5	11.2	16.2	16.2	10.0	7.5	10.0	1.5	0.6	1000	900	-	-																																		
ECWFD2W474Q()	0.47	12.6	6.5																																														
ECWFD2W474□()	0.47	17.5	5.8													9.0	14.0	16.0	15.0	7.5	15.0	1.5	0.8	-	500																								
ECWFD2W564□()	0.56	17.5	6.2													9.4	14.4	16.4	15.0	7.5	15.0	1.5	0.8	-	500																								
★ ECWFD2W684P()	0.68	12.6	7.7													12.4	17.4	17.4	10.0	7.5	10.0	1.5	0.6	800	700	-	-																						
ECWFD2W684Q()	0.68	12.6	7.7																																														
ECWFD2W684□()	0.68	17.5	6.7																									9.9	14.9	16.9	15.0	7.5	15.0	1.5	0.8	-	400												
ECWFD2W824□()	0.82	17.5	7.2																									10.4	15.4	17.4	15.0	7.5	15.0	1.5	0.8	-	400												
★ ECWFD2W105P()	1.0	12.6	9.2																									13.9	18.9	18.9	10.0	7.5	10.0	1.5	0.6	700	600	-	-										
ECWFD2W105Q()	1.0	12.6	9.2																																														
ECWFD2W105□()	1.0	17.5	7.8																																					11.0	16.0	18.0	15.0	7.5	15.0	1.5	0.8	-	400
ECWFD2W125□()	1.2	17.5	8.5																																					11.6	16.6	18.6	15.0	7.5	15.0	1.5	0.8	-	300
ECWFD2W155□()	1.5	17.5	9.3																																					12.5	17.5	19.5	15.0	7.5	15.0	1.5	0.8	-	300
ECWFD2W185□()	1.8	17.5	10.1																																					13.3	18.3	20.3	15.0	7.5	15.0	1.5	0.8	-	300
ECWFD2W225□()	2.2	17.5	11.1	14.3	19.3	21.3	15.0	7.5	15.0	1.5	0.8	-	200																																				
ECWFD2W275□()	2.7	25.3	9.0	13.7	18.7	20.7	22.5	15.0	22.5	1.5	0.8	-	200																																				
ECWFD2W335□()	3.3	25.3	9.8	14.6	19.6	21.6	22.5	15.0	22.5	1.5	0.8	-	200																																				
ECWFD2W395□()	3.9	25.3	10.7	15.4	20.4	22.4	22.5	15.0	22.5	1.5	0.8	-	200																																				
ECWFD2W475□()	4.7	25.3	11.7	16.4	21.4	23.4	22.5	15.0	22.5	1.5	0.8	-	200																																				

* □ : Capacitance tolerance code
() : Suffix for lead crimped

Note) Part Number marked with ★ is Short Lead Space Product.

Rating · Dimensions · Quantity

● Rated voltage : 630 V.DC, Capacitance tolerance : ±5 % (J), ± 10 % (K),

Part No.	Cap. (μ F)	Dimensions (mm)										Min. order Q'ty		
		L max.	T max.	H max.			F	S		G max.	ϕ d	Taping	Bulk	
				Straight	Crimped lead (Suffix B)	Crimped lead (Suffix Q)		Crimped lead (Suffix B)	Crimped lead (Suffix Q)			7.5 mm	Straight	Crimped lead
ECWFD2J473□()	0.047	12.6	4.4		12.8	12.8		7.5	10.0		0.6	1300		
ECWFD2J563□()	0.056	12.6	4.7		13.1	13.1		7.5	10.0		0.6	1200		
ECWFD2J683□()	0.068	12.6	5.0		13.4	13.4		7.5	10.0		0.6	1000		
ECWFD2J823□()	0.082	12.6	5.4		13.7	13.7		7.5	10.0		0.6	900		
ECWFD2J104□()	0.10	12.6	5.8	-	14.2	14.2	-	7.5	10.0	-	0.6	700	-	
ECWFD2J124□()	0.12	12.6	6.2		14.6	14.6		7.5	10.0		0.6	500		
ECWFD2J154□()	0.15	12.6	6.8		15.2	15.2		7.5	10.0		0.6	400		
ECWFD2J184□()	0.18	12.6	7.4		15.7	15.7		7.5	10.0		0.6	300		
ECWFD2J224□()	0.22	12.6	8.1		16.4	16.4		7.5	10.0		0.6	200		
ECWFD2J274□()	0.27	17.8	6.0	11.0	16.0	18.0	15.0	7.5	15.0	1.5	0.8	1000		
ECWFD2J334□()	0.33	17.8	6.6	11.5	16.5	18.5	15.0	7.5	15.0	1.5	0.8	900		
ECWFD2J394□()	0.39	17.8	7.1	12.0	17.0	19.0	15.0	7.5	15.0	1.5	0.8	800		
ECWFD2J474□()	0.47	17.8	7.8	12.7	17.7	19.7	15.0	7.5	15.0	1.5	0.8	700		
ECWFD2J564□()	0.56	17.8	8.4	13.3	18.3	20.3	15.0	7.5	15.0	1.5	0.8	600		
ECWFD2J684□()	0.68	17.8	9.3	14.2	19.2	21.2	15.0	7.5	15.0	1.5	0.8	500		
ECWFD2J824□()	0.82	17.8	10.2	15.1	20.1	22.1	15.0	7.5	15.0	1.5	0.8	400		
★ ECWFD2J105P()	1.0	17.8	11.2	16.1	21.1	23.1	15.0	7.5	15.0	1.5	0.8	300		
★ ECWFD2J105Q()	1.0	17.8	11.2	16.1	21.1	23.1	15.0	7.5	15.0	1.5	0.8	200		
ECWFD2J105□()	1.0	25.3	8.4	13.5	18.5	20.5	22.5	15.0	22.5	1.5	0.8	1000		
ECWFD2J125□()	1.2	25.3	9.2	14.3	19.3	21.3	22.5	15.0	22.5	1.5	0.8	900		
ECWFD2J155□()	1.5	25.3	10.3	15.5	20.5	22.5	22.5	15.0	22.5	1.5	0.8	800		
ECWFD2J185□()	1.8	25.3	11.2	16.5	21.5	23.5	22.5	15.0	22.5	1.5	0.8	700		
ECWFD2J225□()	2.2	25.3	12.4	17.7	22.7	24.7	22.5	15.0	22.5	1.5	0.8	600		
ECWFD2J275□()	2.7	25.3	13.8	19.2	24.2	26.2	22.5	15.0	22.5	1.5	0.8	500		
ECWFD2J335□()	3.3	25.3	15.3	20.7	25.7	27.7	22.5	15.0	22.5	1.5	0.8	400		
ECWFD2J395□()	3.9	25.3	16.6	22.1	27.1	29.1	22.5	15.0	22.5	1.5	0.8	300		
ECWFD2J475□()	4.7	25.3	18.3	23.9	28.9	30.9	22.5	15.0	22.5	1.5	0.8	200		

* □ : Capacitance tolerance code
() : Suffix for lead crimped

Note) Part Number marked with ★ is Short Lead Space Product.

Guidelines and precautions regarding the technical information and use of our products described in this online catalog.

- If you want to use our products described in this online catalog for applications requiring special qualities or reliability, or for applications where the failure or malfunction of the products may directly jeopardize human life or potentially cause personal injury (e.g. aircraft and aerospace equipment, traffic and transportation equipment, combustion equipment, medical equipment, accident prevention, anti-crime equipment, and/or safety equipment), it is necessary to verify whether the specifications of our products fit to such applications. Please ensure that you will ask and check with our inquiry desk as to whether the specifications of our products fit to such applications use before you use our products.
- The quality and performance of our products as described in this online catalog only apply to our products when used in isolation. Therefore, please ensure you evaluate and verify our products under the specific circumstances in which our products are assembled in your own products and in which our products will actually be used.
- If you use our products in equipment that requires a high degree of reliability, regardless of the application, it is recommended that you set up protection circuits and redundancy circuits in order to ensure safety of your equipment.
- The products and product specifications described in this online catalog are subject to change for improvement without prior notice. Therefore, please be sure to request and confirm the latest product specifications which explain the specifications of our products in detail, before you finalize the design of your applications, purchase, or use our products.
- The technical information in this online catalog provides examples of our products' typical operations and application circuits. We do not guarantee the non-infringement of third party's intellectual property rights and we do not grant any license, right, or interest in our intellectual property.
- If any of our products, product specifications and/or technical information in this online catalog is to be exported or provided to non-residents, the laws and regulations of the exporting country, especially with regard to security and export control, shall be observed.



<Regarding the Certificate of Compliance with the EU RoHS Directive/REACH Regulations>

- The switchover date for compliance with the RoHS Directive/REACH Regulations varies depending on the part number or series of our products.
- When you use the inventory of our products for which it is unclear whether those products are compliant with the RoHS Directive/REACH Regulation, please select "Sales Inquiry" in the website inquiry form and contact us.

We do not take any responsibility for the use of our products outside the scope of the specifications, descriptions, guidelines and precautions described in this online catalog.

Looking for pricing, stock, or lifecycle information?

Click below to explore more details on WIN SOURCE:

-  [View ECW-FD2W224K4 on WIN SOURCE](#)
-  [Panasonic Information](#)

Optimize Your Supply Chain with WIN SOURCE Solutions

-  Global Sourcing Solution
-  Obsolete Management
-  Cost Control Management
-  Shortage Management
-  Alternative Solution
-  Excess Inventory Management