

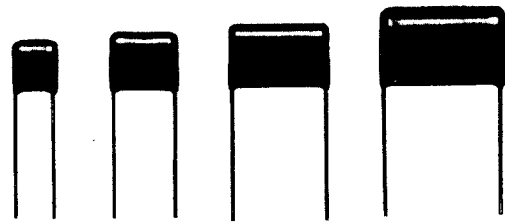


**THE DATASHEET OF
ECQ-E1474KF**



ECQ-E Series

The type ECQ-E series is using a dual side metallized polyester film with high dielectric constant (ϵ) which makes it possible to produce large C-values in small dimensions, and is economical capacitor meeting high requirements for professional circuit design.



■ Features

- Self-healing property
- Flame retardant epoxy resin coating
- Available for wide automatic insertion range (Not standard/upon request)
- Excellent high frequency characteristics

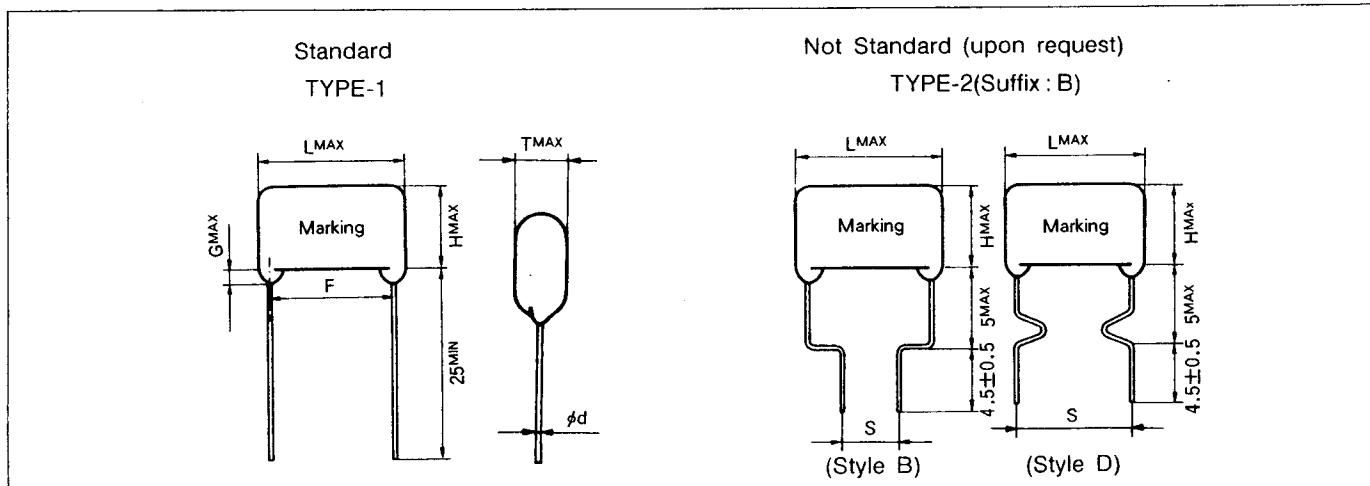
■ Applications

- Blocking, by-pass and coupling of DC and signals to VHF range
- Pulse, logic and timing circuit
- Filter and noise suppression circuit
- General purpose usage in both consumer and industrial equipment.

■ Specifications

Operating temp. range	-40~+85°C (At +105°C with 75% of rated voltage)	
Rated voltage	DC 100V, 250V, 400V, 630V,	
Capacitance range	0.001~10 μ F	
Capacitance tolerance	$\pm 10\%$ (K) [($\pm 5\%$ (J) upon request), Not standard]	
Dissipation factor	$\leq 1.0\%$ (20°C, 1kHz)	
Withstand voltage	Between terminals : rated voltage (V DC) $\times 150\%$ 1minute	
Isulation resistance	C $\leq 0.33\mu$ F : $\geq 9000M\Omega$ C > 0.33 μ F : $\geq 3000M\Omega \cdot \mu$ F (20°C, DC 100V, 1minute)	
Construction	Metallized polyester film, flame retardant epoxy coating	
Lead material	Solder-plated copper wire	100VDC, 250VDC
	Solder-plated copper-clad steel wire	400VDC, 630VDC,

■ Dimensions



100VDC Series

■ TYPE-Z

Part code	Capacitance (μ F)	Dimensions(mm)							
		L ^{MAX}	T ^{MAX}	H ^{MAX}	F \pm 0.75	S \pm 0.8	G ^{MAX}	ϕ d \pm 0.05	TYPE-2 Style
					TYPE-1	TYPE-2	TYPE-1		
ECQ E1104KZ()	0.1	12.0	4.0	7.5	10.0	5.0	1.0	0.6	B
" 1124KZ()	0.12	"	4.5	"	"	"	"	"	"
" 1154KZ()	0.15	"	4.0	9.5	"	"	"	"	"
" 1184KZ()	0.18	"	4.5	10.0	"	"	"	"	"
" 1224KZ()	0.22	"	5.0	10.5	"	"	"	"	"
" 1274KZ()	0.27	17.0	4.5	8.0	15.0	10.0	"	"	"
" 1334KZ()	0.33	"	"	10.0	"	"	"	"	"
" 1394KZ()	0.39	"	5.0	"	"	"	"	"	"
" 1474KZ()	0.47	"	5.5	11.0	"	"	"	"	"
" 1564KZ()	0.56	"	6.5	11.5	"	"	"	0.8	"
" 1684KZ()	0.68	"	7.0	12.0	"	"	"	"	"
" 1824KZ()	0.82	"	7.5	13.0	"	"	"	"	"
" 1105KZ()	1.0	"	8.0	14.0	"	"	"	"	"
" 1125KZ()	1.2	"	8.5	16.0	"	"	"	"	"
" 1155KZ()	1.5	25.5	7.5	14.5	22.5	15.0	"	"	"
" 1185KZ()	1.8	"	8.5	16.0	"	"	"	"	"
" 1225KZ()	2.2	"	9.5	16.5	"	"	"	"	"
" 1275KZ()	2.7	"	10.0	18.5	"	"	"	"	"
" 1335KZ()	3.3	"	"	19.0	"	"	"	"	"
" 1395KZ()	3.9	30.5	11.0	18.0	27.5	20.0	1.5	"	"
" 1475KZ()	4.7	"	"	20.5	"	"	"	"	"
" 1565KZ()	5.6	"	12.5	21.0	"	"	"	"	"
" 1685KZ()	6.8	"	13.0	24.0	"	"	"	"	"
" 1825KZ()	8.2	"	15.0	25.0	"	"	"	"	"
" 1106KZ()	10.0	"	16.0	27.0	"	"	"	"	"

↑ Suffix "B" for Crimped lead as type-2 (Not standard)

■ TYPE-F (NEW MINI-DIP)

Part code	Capacitance (μ F)	Dimensions (mm)							
		L ^{MAX}	T ^{MAX}	H ^{MAX}	F \pm 1.0	S \pm 0.8	G ^{MAX}	ϕ d \pm 0.05	TYPE-2 Style
					TYPE-1	TYPE-2	TYPE-1		
ECQE1103KF ()	0.01	7.8	4.6	7.7	5.0	5.0	1.0	0.5	D
“ 1123KF ()	0.012	“	4.5	7.6	“	“	“	“	“
“ 1153KF ()	0.015	“	“	“	“	“	“	“	“
“ 1183KF ()	0.018	“	4.6	7.7	“	“	“	“	“
“ 1223KF ()	0.022	“	4.9	8.0	“	“	“	“	“
“ 1273KF ()	0.027	“	4.7	7.8	“	“	“	“	“
“ 1333KF ()	0.033	“	4.6	7.7	“	“	“	“	“
“ 1393KF ()	0.039	“	4.9	8.0	“	“	“	“	“
“ 1473KF ()	0.047	“	4.5	7.5	“	“	“	“	“
“ 1563KF ()	0.056	“	4.8	7.9	“	“	“	“	“
“ 1683KF ()	0.068	“	“	“	“	“	“	“	“
“ 1823KF ()	0.082	“	4.7	9.9	“	“	“	“	“
“ 1104KF ()	0.1	“	5.0	10.0	“	“	“	“	“
“ 1124KF ()	0.12	10.3	4.5	7.5	7.5	7.5	“	0.6	“
“ 1154KF ()	0.15	“	“	“	“	“	“	“	“
“ 1184KF ()	0.18	“	4.8	7.9	“	“	“	“	“
“ 1224KF ()	0.22	“	5.0	8.0	“	“	“	“	“
“ 1274KF ()	0.27	“	4.5	12.0	“	“	“	“	“
“ 1334KF ()	0.33	“	6.0	10.7	“	“	“	“	“
“ 1394KF ()	0.39	“	6.3	11.0	“	“	“	“	“
“ 1474KF ()	0.47	“	6.0	12.0	“	“	“	“	“
“ 1564KF ()	0.56	12.0	5.5	10.9	10.0	10.0	“	“	“
“ 1684KF ()	0.68	“	6.0	11.9	“	“	“	“	“
“ 1824KF ()	0.82	“	“	13.5	“	“	“	“	“
“ 1105KF ()	1.0	“	6.7	14.0	“	“	“	“	“
“ 1125KF ()	1.2	18.5	5.5	12.8	15.0	“	“	“	B
“ 1155KF ()	1.5	“	6.0	13.4	“	“	“	0.8	“
“ 1185KF ()	1.8	“	6.5	14.4	“	“	“	“	“
“ 1225KF ()	2.2	“	7.0	15.0	“	“	“	“	“
“ 1275KF ()	2.7	“	8.0	15.8	“	“	“	“	“
“ 1335KF ()	3.3	“	8.5	16.5	“	“	“	“	“
“ 1395KF ()	3.9	26.0	7.0	16.4	22.5	15.0	“	“	“
“ 1475KF ()	4.7	“	7.5	17.0	“	“	“	“	“
“ 1565KF ()	5.6	“	8.3	17.5	“	“	“	“	“
“ 1685KF ()	6.8	“	9.0	18.5	“	“	“	“	“
“ 1825KF ()	8.2	“	10.0	20.0	“	“	1.5	“	“
“ 1106KF ()	10.0	“	11.5	21.0	“	“	“	“	“

↑ Suffix "B" for Crimped lead as Type-2. Not standard

250VDC Series

■TYPE-S

Part code	Capacitance (μ F)	Dimensions (mm)							
		L ^{MAX}	T ^{MAX}	H ^{MAX}	F \pm 0.75	S \pm 0.8	G ^{MAX}	ϕ d \pm 0.05	TYPE-2 Style
					TYPE-1	TYPE-2	TYPE-1		
ECQ E2103KS()	.01	12.5	5.0	8.0	10.0	7.5	1.0	0.6	B
" 2123KS()	.012	"	4.5	"	"	"	"	"	"
" 2153KS()	.015	"	5.0	"	"	"	"	"	"
" 2183KS()	.018	"	4.5	"	"	"	"	"	"
" 2223KS()	.022	"	"	"	"	"	"	"	"
" 2273KS()	.027	"	5.0	"	"	"	"	"	"
" 2333KS()	.033	"	4.5	"	"	"	"	"	"
" 2393KS()	.039	"	5.0	"	"	"	"	"	"
" 2473KS()	.047	"	4.5	7.5	"	"	"	"	"
" 2563KS()	.056	"	5.0	8.0	"	"	"	"	"
" 2683KS()	.068	"	"	"	"	"	"	"	"
" 2823KS()	.082	"	"	10.0	"	"	"	"	"
" 2104KS()	.1	"	"	10.5	"	"	"	"	"
" 2124KS()	.12	17.5	"	10.0	15.0	"	"	0.8	"
" 2154KS()	.15	"	5.5	10.5	"	"	"	"	"
" 2184KS()	.18	"	"	"	"	10.0	"	"	"
" 2224KS()	.22	"	"	11.0	"	"	"	"	"
" 2274KS()	.27	23.0	"	10.5	20.0	"	"	"	"
" 2334KS()	.33	"	"	11.0	"	"	"	"	"
" 2394KS()	.39	"	6.0	11.5	"	12.5	"	"	"
" 2474KS()	.47	"	6.5	12.0	"	"	"	"	"
" 2564KS()	.56	"	7.0	12.5	"	"	"	"	"
" 2684KS()	.68	"	7.5	13.5	"	"	"	"	"
" 2824KS()	.82	31.0	7.0	12.5	27.5	17.5	"	"	"
" 2105KS()	1.0	"	7.5	13.5	"	"	"	"	"
" 2125KS()	1.2	"	"	15.5	"	"	"	"	"
" 2155KS()	1.5	"	8.5	16.5	"	"	"	"	"
" 2185KS()	1.8	"	"	18.0	"	"	"	"	"
" 2225KS()	2.2	"	9.5	19.5	"	"	"	"	"
" 2275KS()	2.7	"	11.0	20.5	"	"	1.5	"	"
" 2335KS()	3.3	"	12.5	22.0	"	"	"	"	"
" 2395KS()	3.9	"	13.5	23.0	"	"	"	"	"
" 2475KS()	4.7	"	15.0	24.5	"	"	"	"	"
" 2565KS()	5.6	42.5	14.0	23.0	38.5	30.0	"	"	"
" 2685KS()	6.8	"	15.5	25.0	"	"	"	"	"
" 2825KS()	8.2	"	17.0	27.0	"	"	"	1.0	"
" 2106KS()	10.0	"	19.5	29.0	"	"	"	"	"

↑ Suffix "B" for Crimped lead as Type-2. Not standard

■ TYPE-F (NEW MINI-DIP)

Part code	Capacitance (μ F)	Dimensions (mm)									
		L ^{MAX}	T ^{MAX}	H ^{MAX}	F \pm 1.0		S \pm 0.8		G ^{MAX}	ϕ d \pm 0.05	TYPE-2 Style
					TYPE-1	TYPE-2	TYPE-1	TYPE-2			
ECQ E2103KF ()	.01	10.3	4.3	7.4	7.5	7.5	1.0	0.6	D		
" 2123KF ()	.012	"	4.4	7.5	"	"	"	"	"		
" 2153KF ()	.015	"	"	"	"	"	"	"	"		
" 2183KF ()	.018	"	"	"	"	"	"	"	"		
" 2223KF ()	.022	"	"	"	"	"	"	"	"		
" 2273KF ()	.027	"	"	"	"	"	"	"	"		
" 2333KF ()	.033	"	4.5	"	"	"	"	"	"		
" 2393KF ()	.039	"	"	"	"	"	"	"	"		
" 2473KF ()	.047	"	"	"	"	"	"	"	"		
" 2563KF ()	.056	"	4.8	7.9	"	"	"	"	"		
" 2683KF ()	.068	"	4.5	7.5	"	"	"	"	"		
" 2823KF ()	.082	"	4.9	8.0	"	"	"	"	"		
" 2104KF ()	.1	"	5.8	8.4	"	"	"	"	"		
" 2124KF ()	.12	"	6.0	9.0	"	"	"	"	"		
" 2154KF ()	.15	"	"	10.8	"	"	"	"	"		
" 2184KF ()	.18	12.0	5.0	10.3	10.0	10.0	"	"	"		
" 2224KF ()	.22	"	5.5	10.5	"	"	"	"	"		
" 2274KF ()	.27	"	6.0	11.5	"	"	"	"	"		
" 2334KF ()	.33	"	6.5	12.0	"	"	"	"	"		
" 2394KF ()	.39	18.5	4.9	"	15.0	"	"	"	B		
" 2474KF ()	.47	"	5.3	12.5	"	"	"	"	"		
" 2564KF ()	.56	"	5.5	13.0	"	"	"	"	"		
" 2684KF ()	.68	"	6.0	13.5	"	"	"	0.8	"		
" 2824KF ()	.82	"	6.5	14.5	"	"	"	"	"		
" 2105KF ()	1.0	"	7.4	15.0	"	"	"	"	"		
" 2125KF ()	1.2	"	8.0	15.9	"	"	"	"	"		
" 2155KF ()	1.5	"	9.0	16.8	"	"	"	"	"		
" 2185KF ()	1.8	26.0	7.5	15.5	22.5	15.0	"	"	"		
" 2225KF ()	2.2	"	8.5	16.3	"	"	"	"	"		
" 2275KF ()	2.7	"	9.4	17.0	"	"	"	"	"		
" 2335KF ()	3.3	"	10.3	18.0	"	"	1.5	"	"		
" 2395KF ()	3.9	"	11.0	20.5	"	"	"	"	"		
" 2475KF ()	4.7	"	12.0	21.5	"	"	"	"	"		
" 2565KF ()	5.6	31.0	11.8	21.0	27.5	22.5	"	"	"		
" 2685KF ()	6.8	"	13.0	22.4	"	"	"	"	"		
" 2825KF ()	8.2	"	14.3	23.5	"	"	"	"	"		
" 2106KF ()	10.0	"	15.9	25.8	"	"	"	"	"		

↑ Suffix "B" for Crimped lead as Type-2. Not standard

400VDC Series

■ TYPE-Z

Part code	Capacitance (μF)	Dimensions (mm)							
		C^{MAX}	T^{MAX}	H^{MAX}	$F \pm 1.25$	$S \pm 0.8$	G^{MAX}	$\phi d \pm 0.05$	TYPE-2 Style
					TYPE-1	TYPE-2	TYPE-1		
ECQ E4103 KZ ()	.01	13.5	4.5	8.0	10.5	7.5	1.0	0.6	B
" 4123 KZ ()	.012	"	5.0	"	"	"	"	"	"
" 4153 KZ ()	.015	"	4.5	"	"	"	"	"	"
" 4183 KZ ()	.018	"	5.0	"	"	"	"	"	"
" 4223 KZ ()	.022	"	"	10.0	"	"	"	"	"
" 4273 KZ ()	.027	"	"	10.5	"	"	"	"	"
" 4333 KZ ()	.033	"	5.5	11.0	"	"	"	"	"
" 4393 KZ ()	.039	"	6.0	11.5	"	"	"	"	"
" 4473 KZ ()	.047	"	6.5	12.0	"	"	"	"	"
" 4563 KZ ()	.056	16.5	6.0	11.0	13.5	10.0	"	"	"
" 4683 KZ ()	.068	"	6.5	12.0	"	"	"	"	"
" 4823 KZ ()	.082	"	7.0	12.5	"	"	"	"	"
" 4104 KZ ()	.111	"	"	14.5	"	"	"	"	"
" 4124 KZ ()	.12	"	7.5	15.0	"	"	"	"	"
" 4154 KZ ()	.15	"	8.0	16.0	"	"	"	0.8	"
" 4184 KZ ()	.18	"	9.0	16.5	"	"	"	"	"
" 4224 KZ ()	.22	24.0	7.5	15.0	20.5	12.5	"	"	"
" 4274 KZ ()	.27	"	8.0	16.0	"	"	"	"	"
" 4334 KZ ()	.33	"	9.0	16.5	"	"	"	"	"
" 4394 KZ ()	.39	29.0	8.5	16.0	25.5	17.5	1.5	"	"
" 4474 KZ ()	.47	"	9.0	17.0	"	"	"	"	"
" 4564 KZ ()	.56	"	10.0	17.5	"	"	"	"	"
" 4684 KZ ()	.68	"	11.5	18.5	"	"	"	"	"
" 4824 KZ ()	.82	"	12.5	20.5	"	"	"	"	"
" 4105 KZ ()	1.0	"	14.0	21.5	"	"	"	"	"
" 4125 KZ ()	1.2	"	14.5	24.0	"	"	"	"	"
" 4155 KZ ()	1.5	42.5	12.5	22.0	38.5	27.5	"	"	"
" 4185 KZ ()	1.8	"	13.5	23.0	"	"	"	"	"
" 4225 KZ ()	2.2	"	15.0	24.5	"	"	"	"	"

↑ Suffix "B" for Crimped lead as Type-2. Not standard

■ TYPE-F (NEW MINI-DIP)

Part code	Capacitance (μ F)	Dimensions (mm)							
		L ^{MAX}	T ^{MAX}	H ^{MAX}	F \pm 1.0	S \pm 0.8	G ^{MAX}	ϕ d \pm 0.05	TYPE-2 Style
					TYPE-1	TYPE-2	TYPE-1		
ECQ E4103 KF ()	.01	10.3	4.3	7.4	7.5	7.5	1.0	0.6	D
" 4123 KF ()	.012	"	4.4	7.5	"	"	"	"	"
" 4153 KF ()	.015	"	"	"	"	"	"	"	"
" 4183 KF ()	.018	"	"	"	"	"	"	"	"
" 4223 KF ()	.022	"	4.8	7.9	"	"	"	"	"
" 4273 KF ()	.027	"	5.5	8.0	"	"	"	"	"
" 4333 KF ()	.033	"	6.0	9.0	"	"	"	"	"
" 4393 KF ()	.039	12.0	4.9	8.0	10.0	10.0	"	"	"
" 4473 KF ()	.047	"	5.0	8.3	"	"	"	"	"
" 4563 KF ()	.056	"	"	10.0	"	"	"	"	"
" 4683 KF ()	.068	"	5.4	10.5	"	"	"	"	"
" 4823 KF ()	.082	"	5.8	11.0	"	"	"	"	"
" 4104 KF ()	.11	"	6.3	12.0	"	"	"	"	"
" 4124 KF ()	.12	18.5	5.0	10.0	15.0	"	"	"	B
" 4154 KF ()	.15	"	"	12.4	"	"	"	"	"
" 4184 KF ()	.18	"	5.4	12.5	"	"	"	"	"
" 4224 KF ()	.22	"	5.9	13.0	"	"	"	"	"
" 4274 KF ()	.27	"	6.5	14.3	"	"	"	0.8	"
" 4334 KF ()	.33	"	7.0	14.9	"	"	"	"	"
" 4394 KF ()	.39	"	7.5	15.4	"	"	"	"	"
" 4474 KF ()	.47	"	7.8	17.0	"	"	"	"	"
" 4564 KF ()	.56	26.0	6.5	16.0	22.5	15.0	"	"	"
" 4684 KF ()	.68	"	7.0	16.5	"	"	"	"	"
" 4824 KF ()	.82	"	7.9	17.3	"	"	"	"	"
" 4105 KF ()	1.0	"	8.5	18.0	"	"	"	"	"
" 4125 KF ()	1.2	"	9.5	18.9	"	"	"	"	"
" 4155 KF ()	1.5	31.0	"	19.0	27.5	22.5	"	"	"
" 4185 KF ()	1.8	"	11.0	20.5	"	"	1.5	"	"
" 4225 KF ()	2.2	"	"	22.0	"	"	"	"	"

↑ Suffix "B" for Crimped lead as Type-2. Not standard

630 VDC Series

■ TYPE-Z

Part code	Capacitance (μ F)	Dimensions(mm)							TYPE-2 Style
		L ^{MAX}	T ^{MAX}	H ^{MAX}	F \pm 1.25 TYPE-1	S \pm 0.8 TYPE-2	G ^{MAX} TYPE-1	ϕ d \pm 0.05	
ECQ E6103KZ()	.01	13.5	5.0	8.0	10.5	7.5	1.0	0.6	B
" 6123KZ()	.012	"	"	10.0	"	"	"	"	"
" 6153KZ()	.015	"	5.5	10.5	"	"	"	"	"
" 6183KZ()	.018	"	"	11.0	"	"	"	"	"
" 6223KZ()	.022	"	6.0	12.0	"	"	"	"	"
" 6273KZ()	.027	16.5	5.0	12.5	13.5	10.0	"	"	"
" 6333KZ()	.033	"	5.5	12.0	"	"	"	"	"
" 6393KZ()	.039	"	6.0	"	"	"	"	"	"
" 6473KZ()	.047	"	6.5	13.5	"	"	"	"	"
" 6563KZ()	.056	"	7.0	14.0	"	"	"	"	"
" 6683KZ()	.068	"	7.5	15.0	"	"	"	"	"
" 6823KZ()	.082	"	8.0	16.0	"	"	"	0.8	"
" 6104KZ()	.1	24.0	6.5	14.0	20.5	12.5	1.5	"	"
" 6124KZ()	.12	"	7.5	15.0	"	"	"	"	"
" 6154KZ()	.15	"	8.0	16.0	"	"	"	"	"
" 6184KZ()	.18	"	9.0	16.5	"	"	"	"	"
" 6224KZ()	.22	29.0	8.5	"	25.5	17.5	"	"	"
" 6274KZ()	.27	"	9.5	17.0	"	"	"	"	"
" 6334KZ()	.33	"	10.5	18.0	"	"	"	"	"
" 6394KZ()	.39	"	11.5	19.0	"	"	"	"	"
" 6474KZ()	.47	"	12.5	20.5	"	"	"	"	"
" 6564KZ()	.56	"	14.0	21.5	"	"	"	"	"
" 6684KZ()	.68	42.5	12.0	19.5	38.5	27.5	"	"	"
" 6824KZ()	.82	"	13.0	21.0	"	"	"	"	"
" 6105KZ()	1.0	"	13.5	23.0	"	"	"	"	"
" 6125KZ()	1.2	"	15.0	24.5	"	"	"	"	"
" 6155KZ()	1.5	"	17.0	27.0	"	"	"	"	"
" 6185KZ()	1.8	"	19.5	29.0	"	"	"	1.0	"
" 6225KZ()	2.2	"	20.5	32.0	"	"	"	"	"

↑ Suffix "B" for Crimped as Type-2. Not standard

■ TYPE-F (NEW MINI-DIP)

Part code	Capacitance (μ F)	Dimensions (mm)							
		L ^{MAX}	T ^{MAX}	H ^{MAX}	F \pm 1.0	S \pm 0.8	G ^{MAX}	ϕ d \pm 0.05	TYPE-2 Style
					TYPE-1	TYPE-2	TYPE-1		
ECQ E6103KF ()	.01	12.0	4.5	7.5	10.0	10.0	1.0	0.6	D
"/ 6123KF ()	.012	"	"	7.8	"	"	"	"	"
"/ 6153KF ()	.015	"	5.0	8.2	"	"	"	"	"
"/ 6183KF ()	.018	"	4.9	10.0	"	"	"	"	"
"/ 6223KF ()	.022	"	5.3	10.5	"	"	"	"	"
"/ 6273KF ()	.027	"	5.5	10.9	"	"	"	"	"
"/ 6333KF ()	.033	"	6.0	11.9	"	"	"	"	"
"/ 6393KF ()	.039	"	"	13.4	"	"	"	"	"
"/ 6473KF ()	.047	"	6.5	13.5	"	"	"	"	"
"/ 6563KF ()	.056	18.5	5.4	10.5	15.0	"	"	"	B
"/ 6683KF ()	.068	"	5.8	11.0	"	"	"	"	"
"/ 6823KF ()	.082	"	6.5	12.0	"	"	"	"	"
"/ 6104KF ()	.1	"	6.3	14.0	"	"	"	"	"
"/ 6124KF ()	.12	"	"	14.5	"	"	"	0.8	"
"/ 6154KF ()	.15	"	7.5	15.4	"	"	"	"	"
"/ 6184KF ()	.18	"	8.0	16.0	"	"	"	"	"
"/ 6224KF ()	.22	"	9.0	16.5	"	"	"	"	"
"/ 6274KF ()	.27	26.0	7.0	"	22.5	15.0	"	"	"
"/ 6334KF ()	.33	"	7.8	17.0	"	"	"	"	"
"/ 6394KF ()	.39	"	8.5	17.9	"	"	"	"	"
"/ 6474KF ()	.47	"	9.3	18.5	"	"	"	"	"
"/ 6564KF ()	.56	"	10.0	20.0	"	"	1.5	"	"
"/ 6684KF ()	.68	"	11.5	21.0	"	"	"	"	"
"/ 6824KF ()	.82	31.0	11.3	20.5	27.5	22.5	"	"	"
"/ 6105KF ()	1.0	"	12.5	21.9	"	"	"	"	"
"/ 6125KF ()	1.5	"	13.5	23.0	"	"	"	"	"
"/ 6155KF ()	1.5	"	15.3	24.7	"	"	"	"	"
"/ 6185KF ()	1.8	"	16.8	27.0	"	"	"	"	"
"/ 6225KF ()	2.2	"	19.5	29.0	"	"	"	"	"

↑ Suffix "B" for Crimped lead as Type-2. Not standard

Looking for pricing, stock, or lifecycle information?

Click below to explore more details on WIN SOURCE:

 [View ECQ-E1474KF on WIN SOURCE](#)

 [Panasonic Information](#)

Optimize Your Supply Chain with WIN SOURCE Solutions

-  Global Sourcing Solution
-  Obsolete Management
-  Cost Control Management
-  Shortage Management
-  Alternative Solution
-  Excess Inventory Management