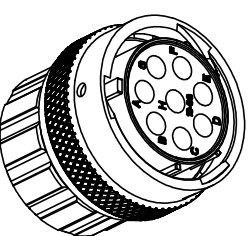
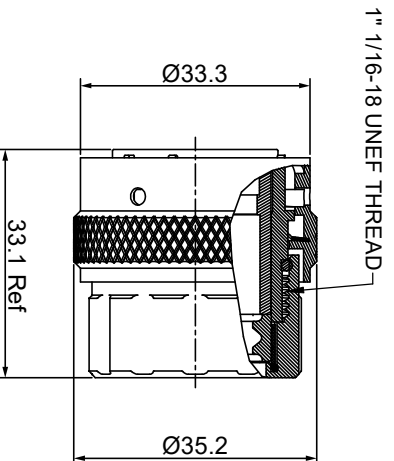




**THE DATASHEET OF
RT06188SNHEC03**



REVISIONS					
REV	ECO	DESCRIPTION	DATE	BY	APPR
B1	-	RELEASED DRAWING	Nov-29-2014	Ben	Tommy
B2	-	UPDATE THE VOLTAGE	Dec-3-2019	Flan	Tommy



KEY POS	PART NUMBER	
	-40°C ~ 105°C	-40°C ~ 125°C
N	RT06188SNHEC	RT06188SNHEC03
W	RT06188SWHEC	RT06188SWHEC03
X	RT06188SXHEC	RT06188SXHEC03
Y	RT06188SYHEC	RT06188SYHEC03
Z	RT06188SZHEC	RT06188SZHEC03

(SPECIFIED)
 ATED.
 1 V-0.
 EL PLATED.
 94 V-0.
 STIC, UL94 V-0.
 SEE CHART.
 AGE@2000 VOLTS AC.
 000 MEGOHMS MIN.
 (TION);
 : 500 CYCLES MIN.
 CONTACTS.
 WIRE RANGE USE ONLY.
 WIRE RANGE:
 INSUL O.D. WIRE RANGE
 14.3mm 14-12AWG

QUANTITY	SEE PART NUMBER CHART	PART NUMBER	DESCRIPTION	ITEL
MATERIALS LIST UNLESS OTHERWISE SPECIFIED 1) All dimensions are in millimeters. 2) Fin. DEC 40.30 Finishes 4/164 3) Hole reference =				
PROCESS SPECIFICATIONS MATERIAL SPECIFICATIONS CUSTOMER:		THIS DRAWING IS SUPPLIED FOR YOUR USE ONLY. IT IS NOT TO BE REPRODUCED OR TRANSMITTED IN ANY FORM OR BY ANY MEANS, ELECTRONIC OR MECHANICAL, INCLUDING PHOTOCOPYING, RECORDING, OR BY ANY INFORMATION STORAGE AND RETRIEVAL SYSTEM. SPECIFICATIONS AND PERFORMANCE DATA SHOWN HEREON ARE THE PROPERTY OF SINE SYSTEMS AND ARE NOT TO BE REPRODUCED OR TRANSMITTED IN ANY FORM OR BY ANY MEANS, ELECTRONIC OR MECHANICAL, INCLUDING PHOTOCOPYING, RECORDING, OR BY ANY INFORMATION STORAGE AND RETRIEVAL SYSTEM.		
CHECKED: Flan ENGINEER: Tommy APPROVAL: Tommy DATE: Dec-3-2019		SIZE 18, 8POS, SOCKET, END CAP. Amphenol Sine Systems - www.amphenol-sine.com 44724 Motley Drive Clinton Township, MI 48036		
SCALE: NONE SIZE: B TYPE: C- DRAWING: RT06188S*HEC*		ECO-MATE PLUG. SHEET 1 OF 1		

ecomate® RM/RSSM/Aquarius™ - Contact Size 12 Options

Machined, Crimp Contacts				
Part Number		Contact Size (AWG)	Wire Range (mm ²)	Plating
Male	Female			
MP12B23T	MS12B23T	14-12AWG	2.3-3.5mm ²	Tin
MP12B23S	MS12B23S	14-12AWG	2.3-3.5mm ²	Silver
MP12B23F	MS12B23F	14-12AWG	2.3-3.5mm ²	Gold Flash
MP12B23G5	MS12B23G5	14-12AWG	2.3-3.5mm ²	Gold 5μ"
MP12B23G10	MS12B23G10	14-12AWG	2.3-3.5mm ²	Gold 10μ"
MP12B23G15	MS12B23G15	14-12AWG	2.3-3.5mm ²	Gold 15μ"
MP12B23G30	MS12B23G30	14-12AWG	2.3-3.5mm ²	Gold 30μ"

Machined, Tooling	
Part Number	Description
QXRT12S	Contact Extraction Tool, 2.5mm contact
UH2-5	Universal Locator, Fits AF8 and WA27F
AF8	Hand Crimper
WA27F	Pneumatic Crimper

Plating Options, All	
Symbol	Plating
T	Tin Plated
S	Silver Plated
F	Gold Flash
G5	Gold 5μ" (Thickness 5μ")
G10	Gold 10μ" (Thickness 10μ")
G15	Gold 15μ" (Thickness 15μ")
G30	Gold 30μ" (Thickness 30μ")

Stamped & Formed, Crimp Contacts				
Part Number		Contact Size (AWG)	Wire Range (mm ²)	Plating
Male	Female			
SP12A1T	SS12A1T	14-12AWG	2.5-3.5mm ²	Tin



Stamped & Formed, Tooling	
Part Number	Description
QXRT12S	Contact Extraction Tool, 2.5mm Contact
MFX-3962	Hand Tool, Stamped & Formed Contact, 2.5mm Contact

Misc Tooling, All	
Part Number	Description
CA-4012-59	Sealing Plug, Size 12

Standard Quantity Order Options	
Machined	Bag, 500 Pieces
Stamped & Formed	Reel, 1000 Pieces

Looking for pricing, stock, or lifecycle information?

Click below to explore more details on WIN SOURCE:

-  [View RT06188SNHEC03 on WIN SOURCE](#)
-  [Amphenol Information](#)

Optimize Your Supply Chain with WIN SOURCE Solutions

-  Global Sourcing Solution
-  Obsolete Management
-  Cost Control Management
-  Shortage Management
-  Alternative Solution
-  Excess Inventory Management