

ECS-TXO-3225MV HCMOS SMD TCXO MultiVolt™ capability of 1.7 ~ 3.6V. The 3.2 x 2.5 x 1.2 mm ceramic package is ideal for portable, wireless applications where stability is critical.

Request a Sample

OPERATING CONDITIONS / ELECTRICAL CHARACTERISTICS

ECS-TXO-3225MV



- HCMOS TCXO
- 3.2 x 2.5 mm Footprint
- MultiVolt™ (1.7 ~ 3.6V)
- PbFree/RoHS Compliant
- MSL 1
- Lead Finish Au
- Compatible with 1.8V, 2.5V or 3.3V Power Supply

Parameters	Conditions	ECS-TXO-3225MV			Units
		MIN	TYP	MAX	
Frequency Range		8.000		60.000	MHz
Operating Temperature	* Standard	-30		+85	°C
Storage Temperature		-40		+90	°C
Input Voltage	VDD	+1.7		+3.6	VDC
Frequency Stability	Vs. Temp (-30 ~ +85°C)			±2.5	PPM
	Vs. Supply Change (±5%)			±0.3	PPM
	Vs. Load Change (±5%)			±0.3	PPM
	Vs. Aging/Year			±1.0	PPM
Frequency Tolerance	@ +25°C ±2°C			±1.5	PPM
Current Consumption				6.0	mA
"0" Level	VOL			10% Vdd	VDC
"1" Level	VOH	90% Vdd			VDC
Output Symmetry	@50% VDD Level			45/55	%
Rise and Fall Times	10% VDD to 90% Level			5	ns
Output Load	CMOS			15	pF
Start-up Time				10	mS
Phase Noise	@ 10 KHz Offset		-145		dBc/Hz

Part Numbering Guide: Example ECS-TXO-3225MV-250-TR

ECS	-	Series	-	Frequency Abbreviations	-	Stability Tolerance	-	Temperature	-	Packaging
ECS	-	TXO-3225MV = TCXO	-	250 = 25.000 MHz	-	Standard Blank = ±2.5 ppm	-	Standard Blank = -30 ~ +85°C Custom Options * N = -40 ~ +85°C	-	TR = Tape & Reel 1K/reel

Package Dimensions (mm)

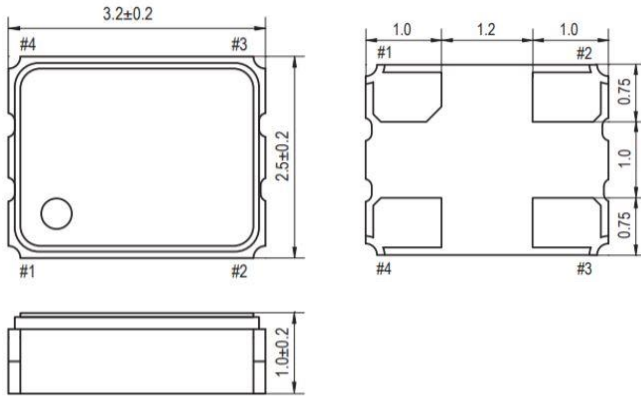


Figure 1) Top, Side, and Bottom views

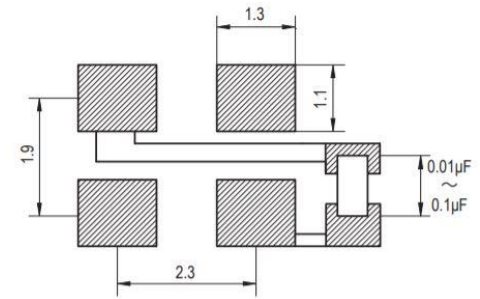
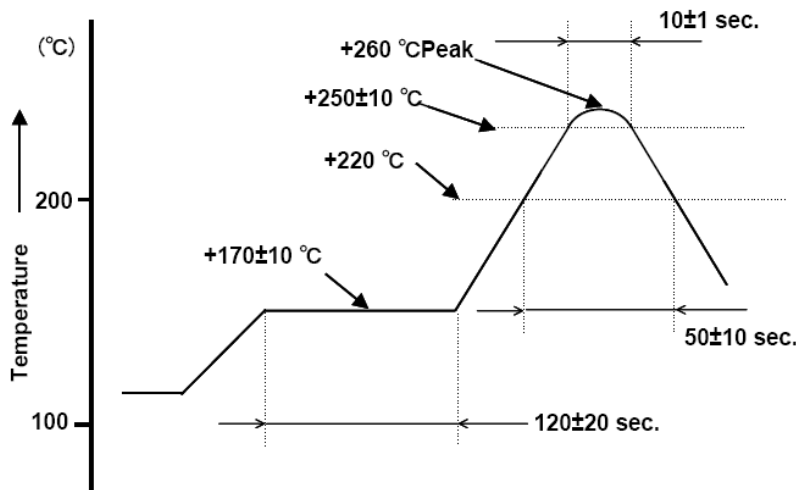


Figure 2) Land Pattern

Pin Connections	
#1	Tri-State
#2	Ground
#3	Output
#4	VDD



Tri-State Function	
Pin 1	Output
High or NC	Active
Low	Disable High-Z

Developed Frequencies	
* Abbreviation	Frequency (MHz)
100	10.000
120	12.000
122.8	12.288
147.4	14.7456
160	16.000
200	20.000
250	25.000
270	27.000
500	50.000



Looking for pricing, stock, or lifecycle information?

Click below to explore more details on WIN SOURCE:

-  [View ECS-TXO-3225MV-250-TR on WIN SOURCE](#)
-  [ECS Inc. Information](#)

Optimize Your Supply Chain with WIN SOURCE Solutions

-  Global Sourcing Solution
-  Obsolete Management
-  Cost Control Management
-  Shortage Management
-  Alternative Solution
-  Excess Inventory Management