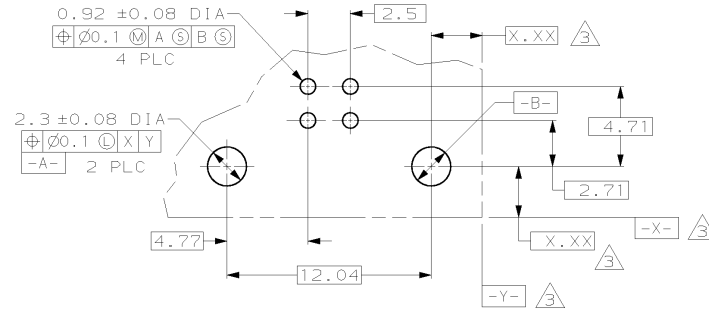
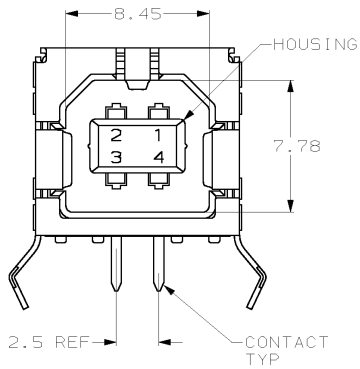
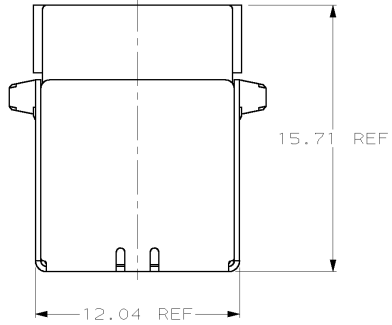




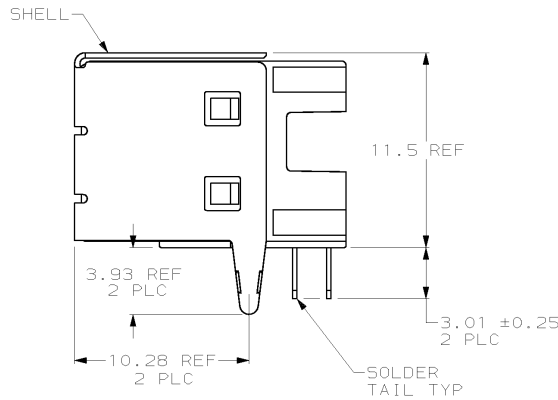
**THE DATASHEET OF**  
**787780-1**



LOC	DTST	REVISIONS					
J	00	P	LTR	DESCRIPTION	DATE	OWN	APVD
		F		REVISED PER EC 0513-0426-03	11 JAN04	JG	JG



PC BOARD MOUNTING DIMENSIONS 4



- 1 MATERIAL:  
SHELL & CONTACTS: COPPER ALLOY.  
HOUSING: UL 94V-0 RATED, THERMOPLASTIC, BLACK.
- 2 PLATING:  
CONTACTS: 0.076µm MINIMUM GOLD OVER 0.76µm MINIMUM PALLADIUM-NICKEL ON MATING AREA.  
3.8µm MINIMUM TIN-LEAD ON SOLDER TAILS.  
BOTH OVER 1.27µm MINIMUM NICKEL.  
CONTACT ALTERNATE PLATING: 0.76µm MIN GOLD ON MATING AREA, 3.8µm MIN TIN-LEAD ON SOLDER TAILS, BOTH OVER 1.27µm MIN NICKEL.  
SHELL: 5.1µm MINIMUM TIN.
- 3 DATUM AND BASIC DIMENSIONS ESTABLISHED BY CUSTOMER.
- 4 RECOMMENDED PC BOARD THICKNESS OF 1.57.
- 5 PLATING:  
CONTACTS: 0.76µm MINIMUM GOLD ON MATING AREA, 3.8µm MINIMUM TIN-LEAD ON SOLDER TAILS, BOTH OVER 1.27µm MINIMUM NICKEL.  
SHELL: 5.1µm MINIMUM TIN.
- 6 PLATING:  
CONTACTS: 0.38µm MINIMUM GOLD ON MATING AREA, 3.8µm MINIMUM TIN-LEAD ON SOLDER TAILS, BOTH OVER 1.27µm MINIMUM NICKEL.  
SHELL: 5.1µm MINIMUM TIN.

6	NO	BLACK	787780-5
5	NO	BLACK	787780-4
2	YES	BLACK	787780-3
2	YES	NATURAL	787780-2
2	NO	BLACK	787780-1
PLATING	HIGH TEMPERATURE COMPATIBLE	HOUSING COLOR	PART NUMBER

DIMENSIONS:		TOLERANCES UNLESS OTHERWISE SPECIFIED:		DATE		AMP	
mm		0 PLC	±	30	AUG 95	AMP Incorporated Harrisburg, PA 17105-3608	
		1 PLC	±	31	AUG 95	RECEPTACLE ASSEMBLY, RIGHT ANGLE, 4 POSITION, THRU-HOLE, TYPE B, UNIVERSAL SERIAL BUS	
		2 PLC	±	18	JUN 96		
		3 PLC	±	MATERIAL		SCALE: 5:1 SHEET 1 OF 1 REV F	
		4 PLC	±	FINISH		CUSTOMER DRAWING	
		ANGLES	±	DRAWING NO.		A2 00779 C=787780	

787780

A

## Looking for pricing, stock, or lifecycle information?

Click below to explore more details on WIN SOURCE:

 [View 787780-1 on WIN SOURCE](#)

 [TE Connectivity](#) Information

## Optimize Your Supply Chain with WIN SOURCE Solutions

-  Global Sourcing Solution
-  Obsolete Management
-  Cost Control Management
-  Shortage Management
-  Alternative Solution
-  Excess Inventory Management