



**THE DATASHEET OF**  
**7499010122**



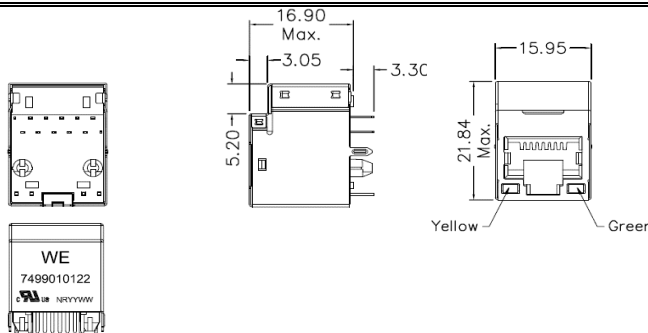
# Spezifikation für Freigabe / specification for release

Kunde / customer :  
 Artikelnummer / part number : **7499010122**  
 Bezeichnung : **LAN-Übertrager WE-RJ45LAN 10/100 Base-T**  
 description : **LAN-Transformer WE-RJ45LAN 10/100 Base-T**



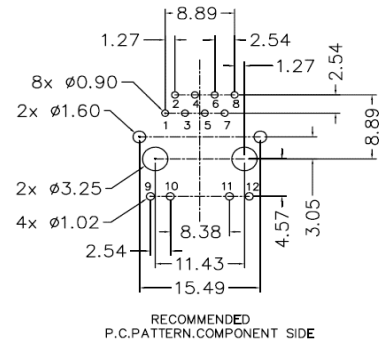
DATUM / DATE : 2021-12-03

## A Mechanische Abmessungen / dimensions :



unless otherwise specified, tolerance: 0.25 mm

## B Lötpad / soldering spec. :



## C Elektrische Eigenschaften / electrical properties :

Eigenschaften / properties	Testbedingungen / test conditions		Wert / value	Einheit / unit	tol.
Induktivität / Inductance	100kHz / 100mV @ 8mA DC-Bias	OCL	350	µH	min.
Übersetzungsverhältnis / Turns ratio	100kHz / 100mV	TR	1 : 1	Tx	2%
			1 : 1	Rx	
Insertion Loss	1-65MHz	IL	-1.0	dB	max.
Return Loss	1-30MHz	RL	-18	dB	min.
	30-45 MHz		-16		
	45-60MHz		-14		
	60-80MHz		-12		
Common Mode Rejection	1-100MHz	CMR	-35	dB	min.
Crosstalk	1-100MHz	CT	-35	dB	min.

## D Prüfgeräte / test equipment :

Agilent 4395A Network Analyzer

## E Testbedingungen / test conditions :

Luftfeuchtigkeit / humidity: 33%  
 Umgebungstemperatur / temperature: +25°C

## F Werkstoffe & Zulassungen / material & approvals :

Basismaterial / base material: Ferrit / ferrite  
 Draht / wire: QPN 180  
 Kontaktmaterial/ contact plating: 100% tin w. nickel underplating  
 30µ"gold plating on contact area  
 Gehäuse / housing: Thermoplastic UL 94V-0  
 LED: 1,8-2,5V / 20mA  
 Shield: 50µ" nickel  
 over 0.008" cooper alloy

## G Eigenschaften / general specifications :

Betriebstemp. / operating temperature: 0°C - + 70°C  
 Hochspannungsprüfung / Hipot test: 2250Vdc 1min.  
 Geeignet für 10/100Base-TX gemäß IEEE 802.3u /  
 Compliant with IEEE 802.3u for 10/100Base-TX-Applications  
 Auto MDIX fähig / Auto MDIX capable  
 UL File: E472316

Freigabe erteilt / general release:	<b>Kunde / customer</b>		
.....	.....	LuRa	Revision 04 2021-12-03
Datum / date	<b>Unterschrift / signature</b>	JuHa	Revision 03 2020-08-10
.....	<b>Würth Elektronik</b>	Mie	Revision 02 2019-04-26
.....	.....	Mie	Revision 01 2016-06-03
Geprüft / checked	<b>Kontrolliert / approved</b>	MMai	Revision 00 2016-02-24
.....	.....	Name	Änderung / modification Datum / date

### Würth Elektronik eiSos GmbH & Co.KG

D-74638 Waldenburg · Max-Eyth-Straße 1 - 3 · Germany · Telefon (+49) (0) 7942 - 945 - 0 · Telefax (+49) (0) 7942 - 945 - 400  
<http://www.we-online.com>

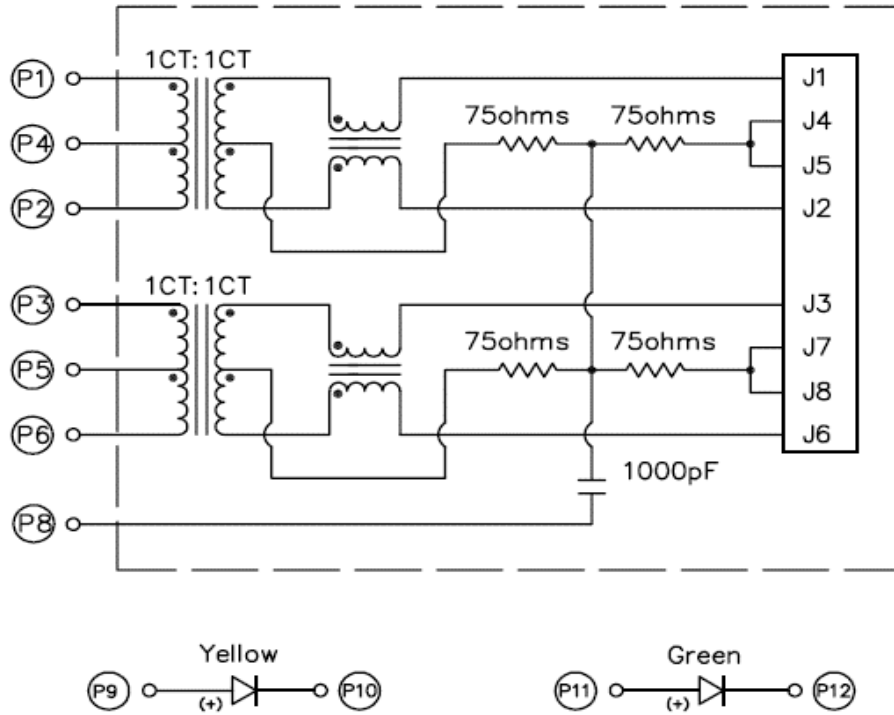
# Spezifikation für Freigabe / specification for release

Kunde / customer :  
 Artikelnummer / part number : **7499010122**  
 Bezeichnung : **LAN-Übertrager WE-RJ45LAN 10/100 Base-T**  
 description : **LAN-Transformer WE-RJ45LAN 10/100 Base-T**



DATUM / DATE : 2021-12-03

## H Schaltbild / Schematics :



Freigabe erteilt / general release:	<b>Kunde / customer</b>		
.....	.....	LuRa	Revision 04 2021-12-03
Datum / date	Unterschrift / signature	JuHa	Revision 03 2020-08-10
.....	<b>Würth Elektronik</b>	Mle	Revision 02 2019-04-26
.....	.....	Mle	Revision 01 2016-06-03
Geprüft / checked	Kontrolliert / approved	MMai	Revision 00 2016-02-24
		Name	Änderung / modification Datum / date

### Würth Elektronik eiSos GmbH & Co.KG

D-74638 Waldenburg · Max-Eyth-Straße 1 - 3 · Germany · Telefon (+49) (0) 7942 - 945 - 0 · Telefax (+49) (0) 7942 - 945 - 400  
<http://www.we-online.com>

# Spezifikation für Freigabe / specification for release

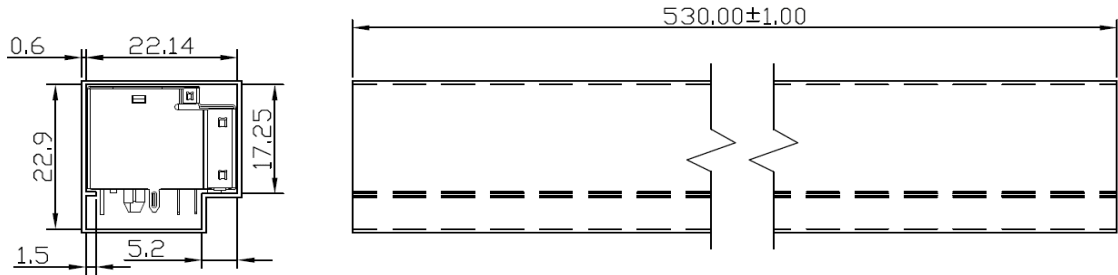
Kunde / customer :  
 Artikelnummer / part number : **7499010122**  
 Bezeichnung : **LAN-Übertrager WE-RJ45LAN 10/100 Base-T**  
 description : **LAN-Transformer WE-RJ45LAN 10/100 Base-T**



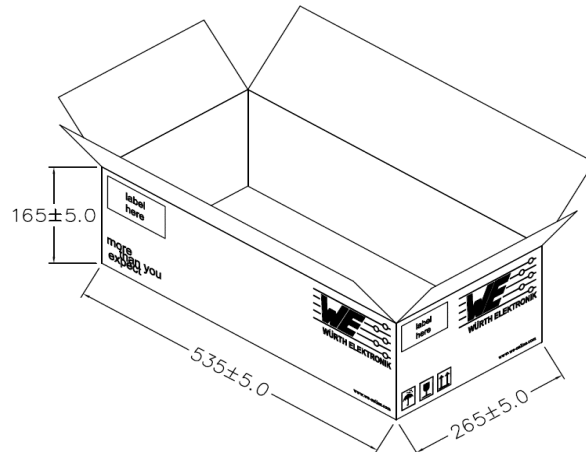
DATUM / DATE : 2021-12-03

## I Verpackungsspezifikation / package specification :

**Tube:**



**Carton:**



**Packing Quantity:**

tube = 30 pcs  
 carton = 1800 pcs

**dimensions in mm**

Freigabe erteilt / general release:	<b>Kunde / customer</b>		
Datum / date	<b>Unterschrift / signature</b>		
	<b>Würth Elektronik</b>		
Geprüft / checked	<b>Kontrolliert / approved</b>		
	LuRa	Revision 04	2021-12-03
	JuHa	Revision 03	2020-08-10
	Mle	Revision 02	2019-04-26
	Mle	Revision 01	2016-06-03
	MMai	Revision 00	2016-02-24
	Name	Änderung / modification	Datum / date

This electronic component has been designed and developed for usage in general electronic equipment. Before incorporating this component into any equipment where higher safety and reliability is especially required or if there is the possibility of direct damage or injury to human body, for example in the range of aerospace, aviation, nuclear control, submarine, transportation, (automotive control, train control, ship control), transportation signal, disaster prevention, medical, public information network etc, Würth Elektronik eiSos GmbH must be informed before the design-in stage. In addition, sufficient reliability evaluation checks for safety must be performed on every electronic component which is used in electrical circuits that require high safety and reliability functions or performance.

### Würth Elektronik eiSos GmbH & Co.KG

D-74638 Waldenburg · Max-Eyth-Straße 1 - 3 · Germany · Telefon (+49) (0) 7942 - 945 - 0 · Telefax (+49) (0) 7942 - 945 - 400  
<http://www.we-online.com>

## Looking for pricing, stock, or lifecycle information?

Click below to explore more details on WIN SOURCE:

 [View 7499010122 on WIN SOURCE](#)

 [Wurth Electronics Inc Information](#)

## Optimize Your Supply Chain with WIN SOURCE Solutions

-  Global Sourcing Solution
-  Obsolete Management
-  Cost Control Management
-  Shortage Management
-  Alternative Solution
-  Excess Inventory Management