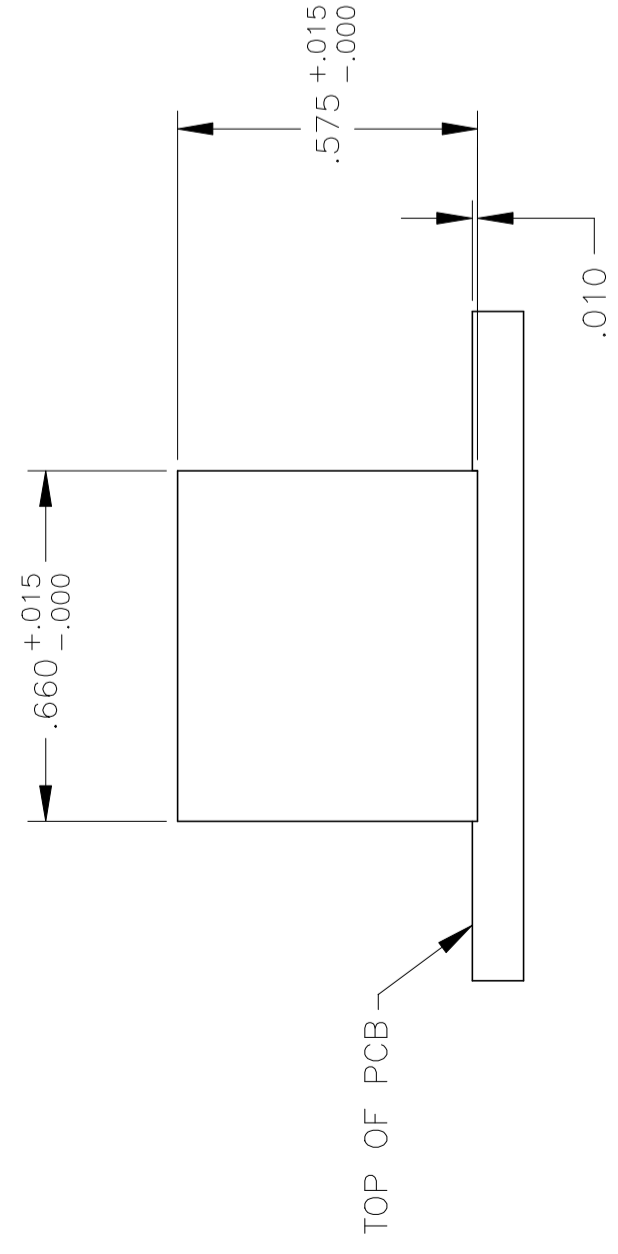
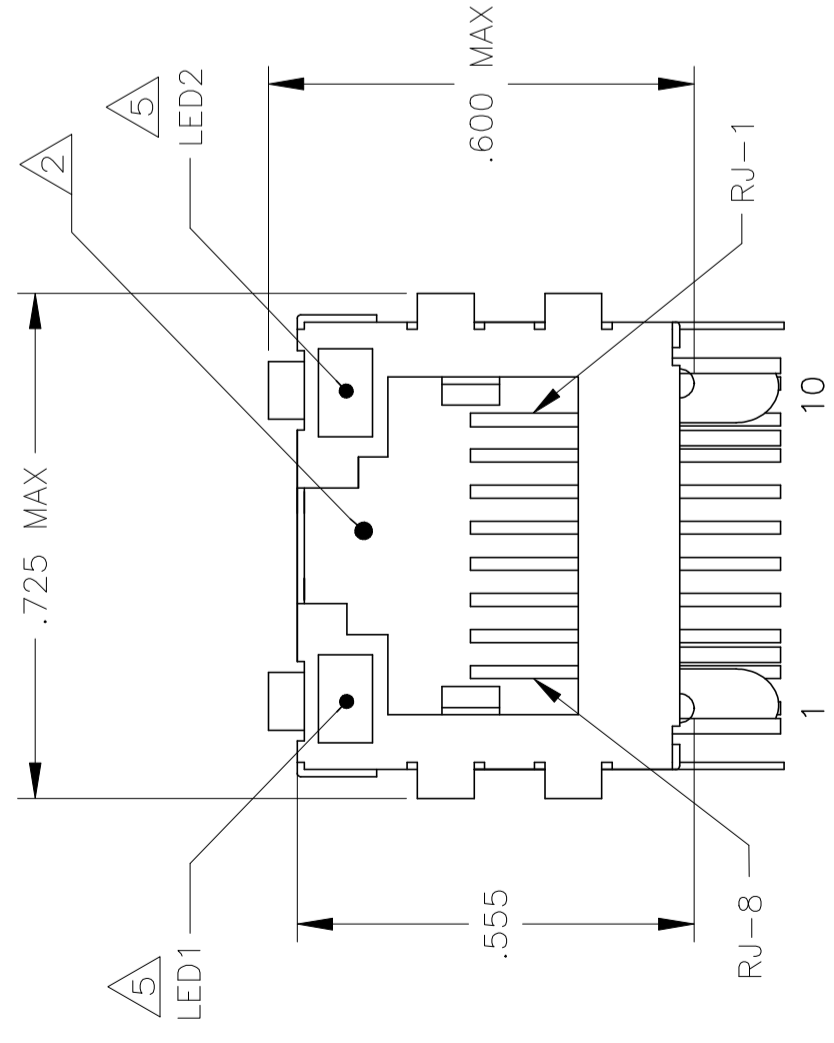
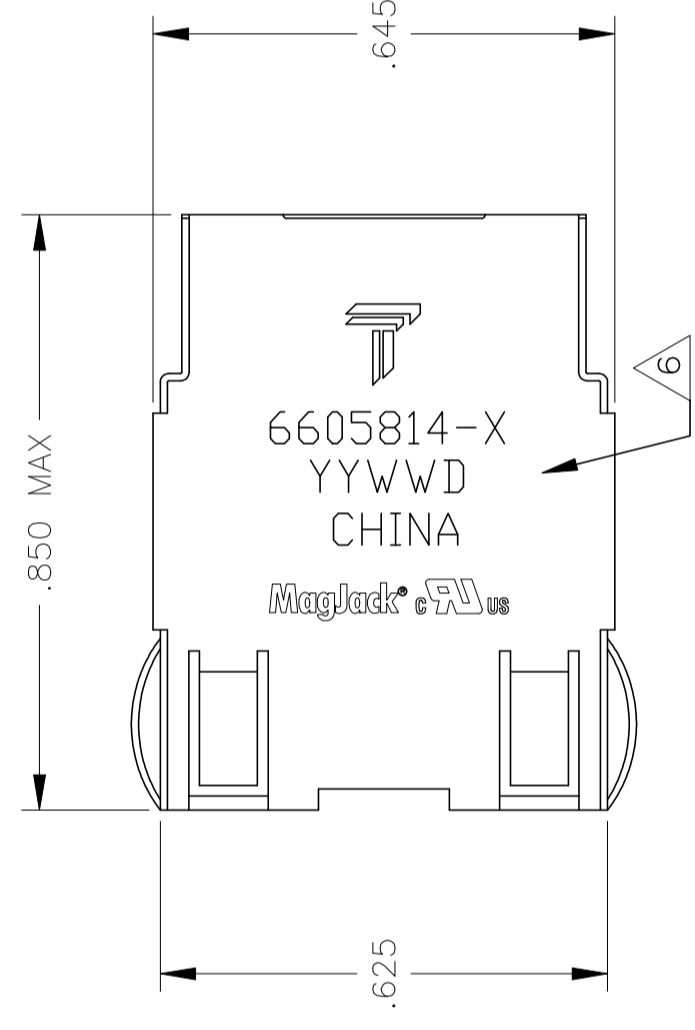




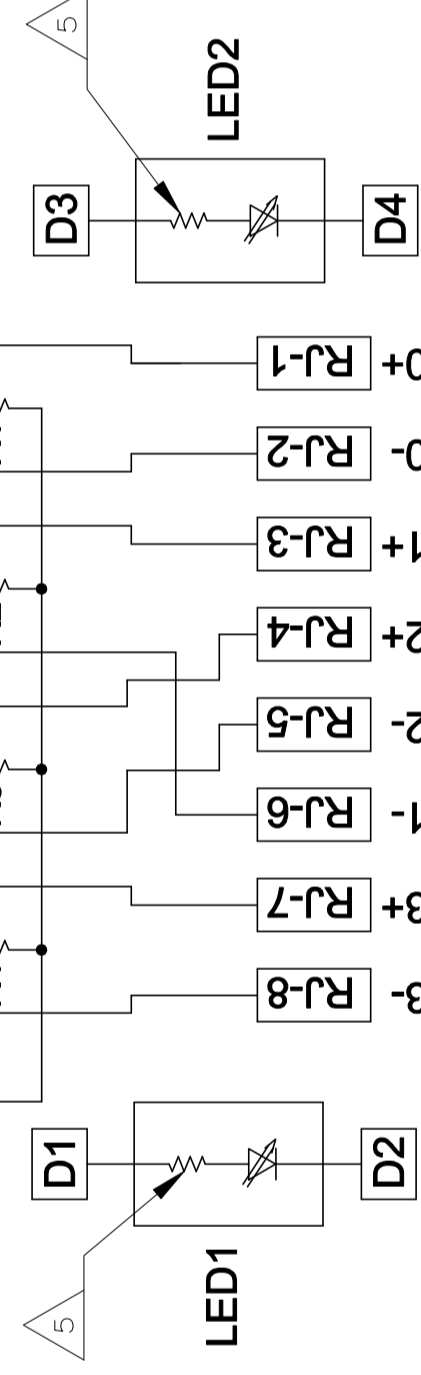
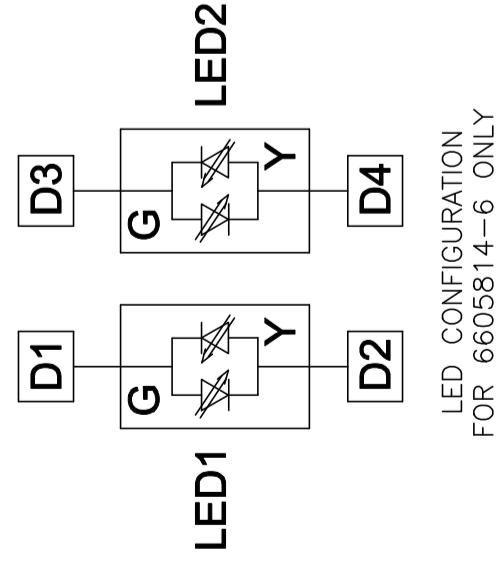
THE DATASHEET OF
6605814-5



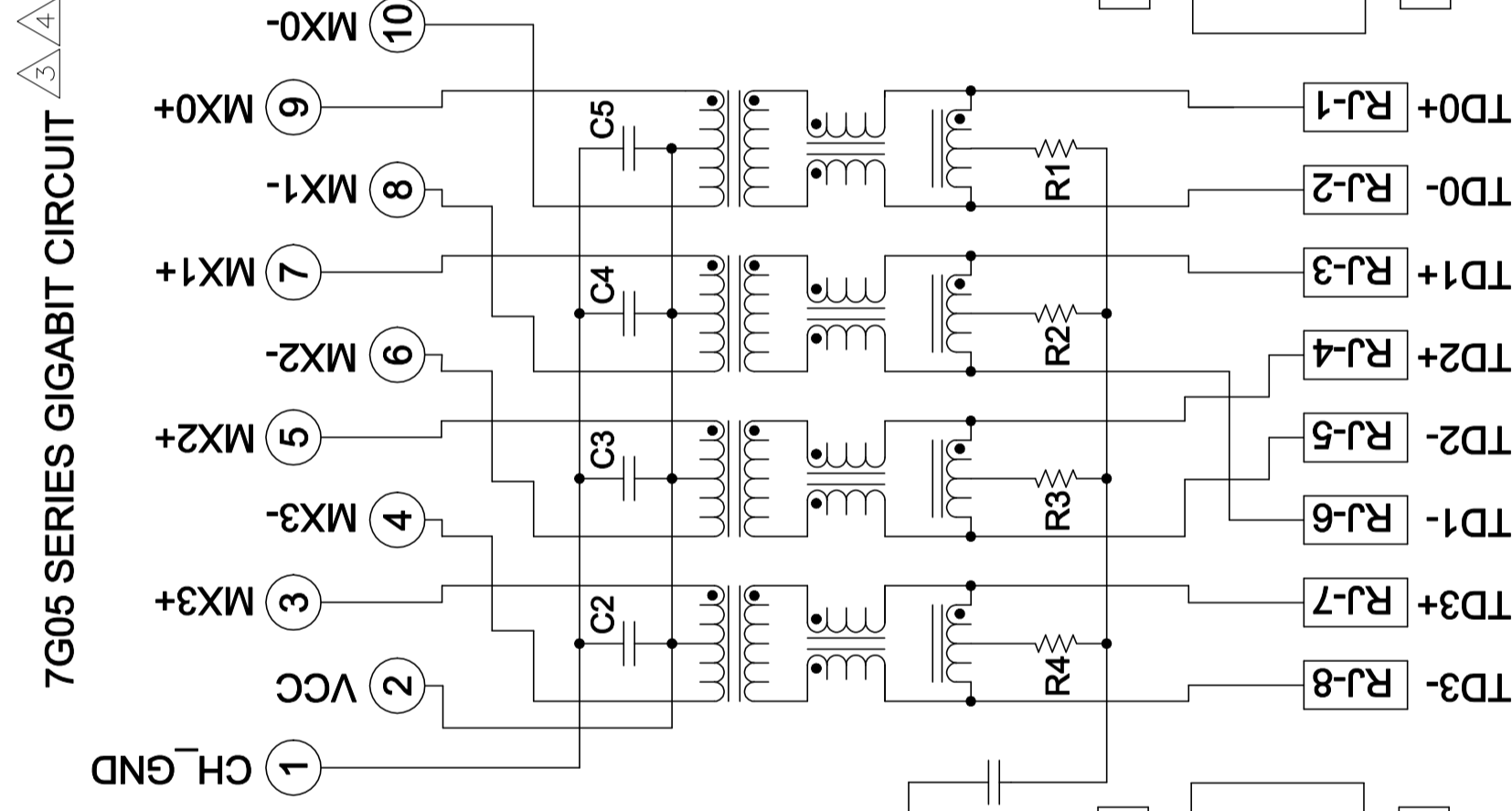
MECHANICAL:



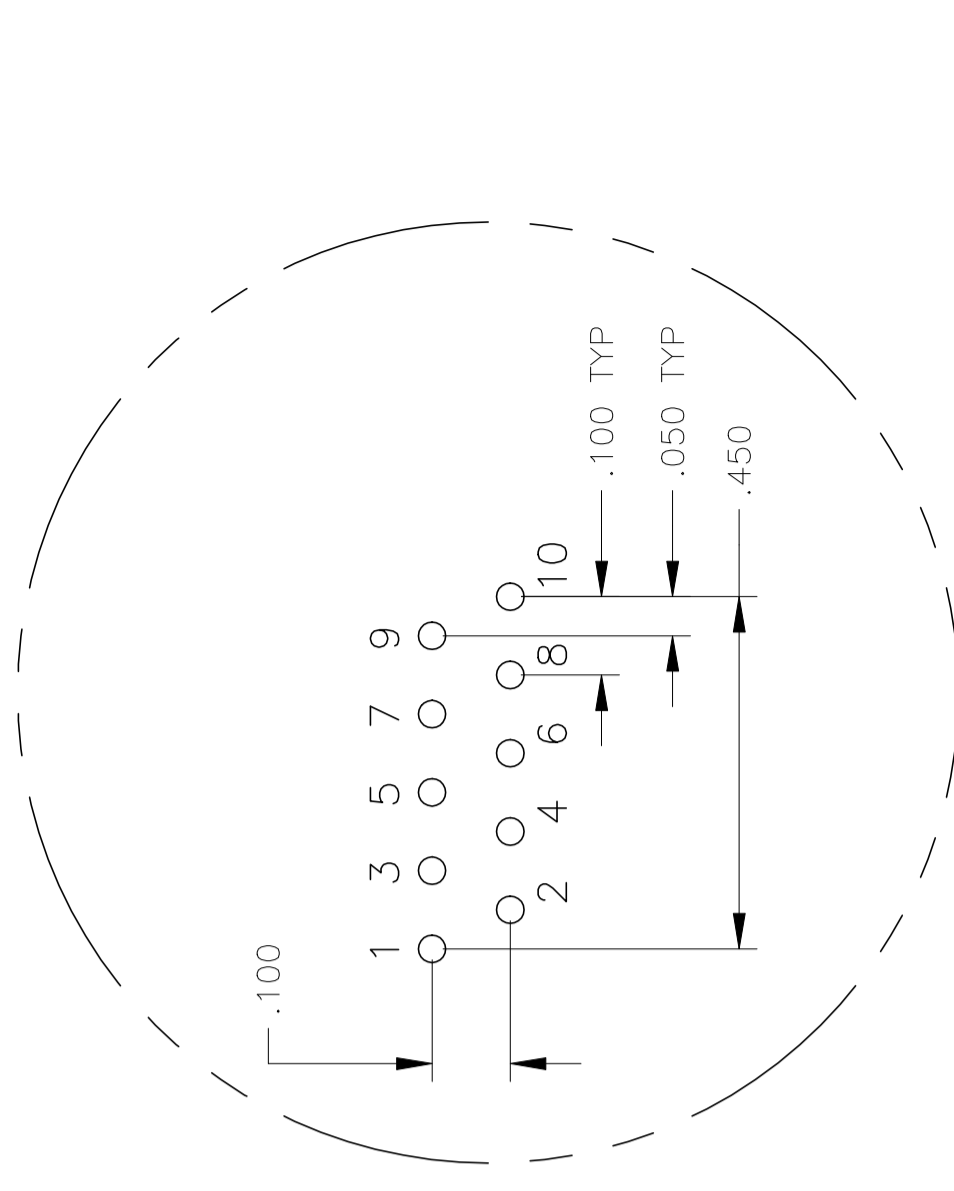
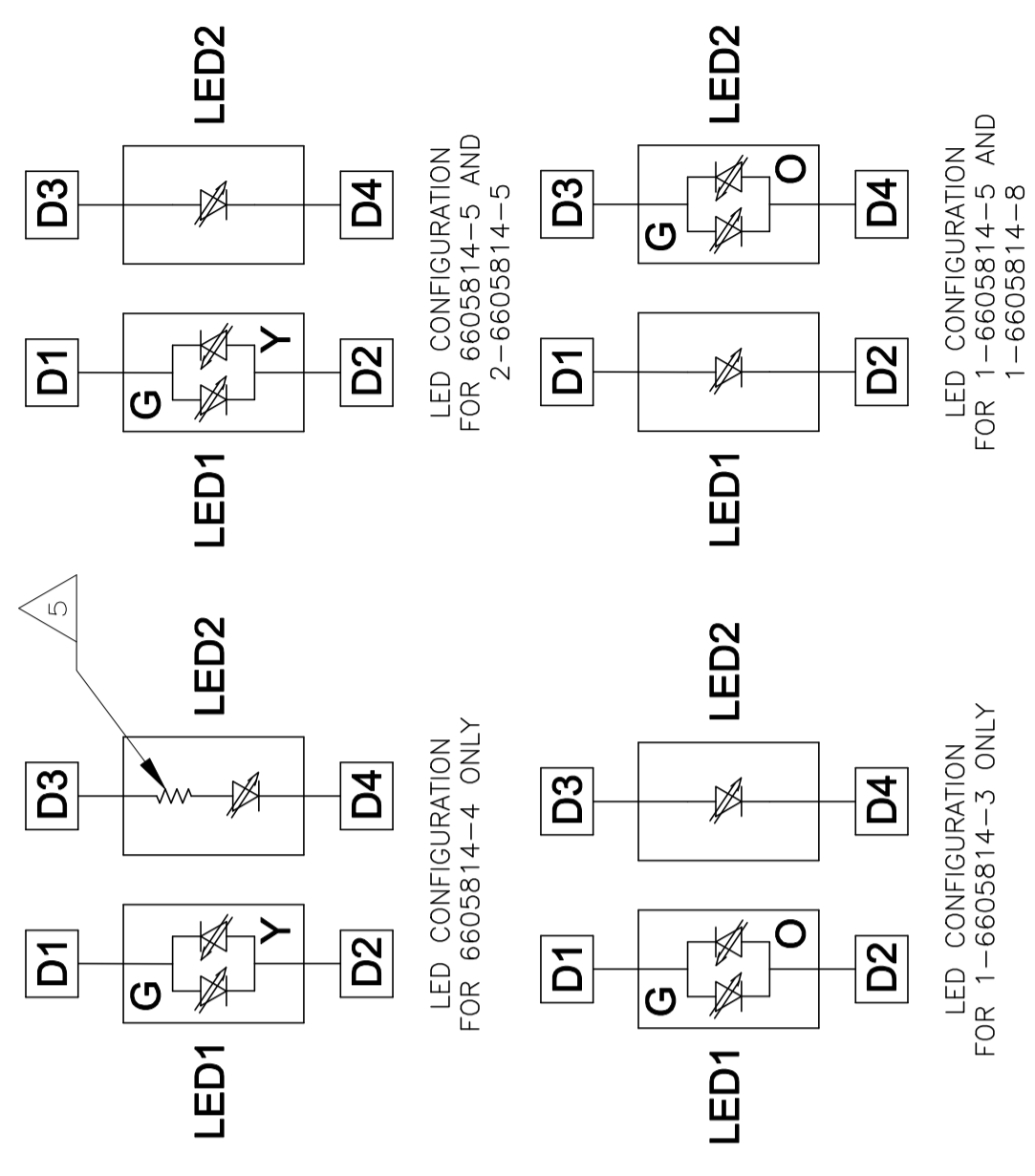
Suggested Panel Cutout



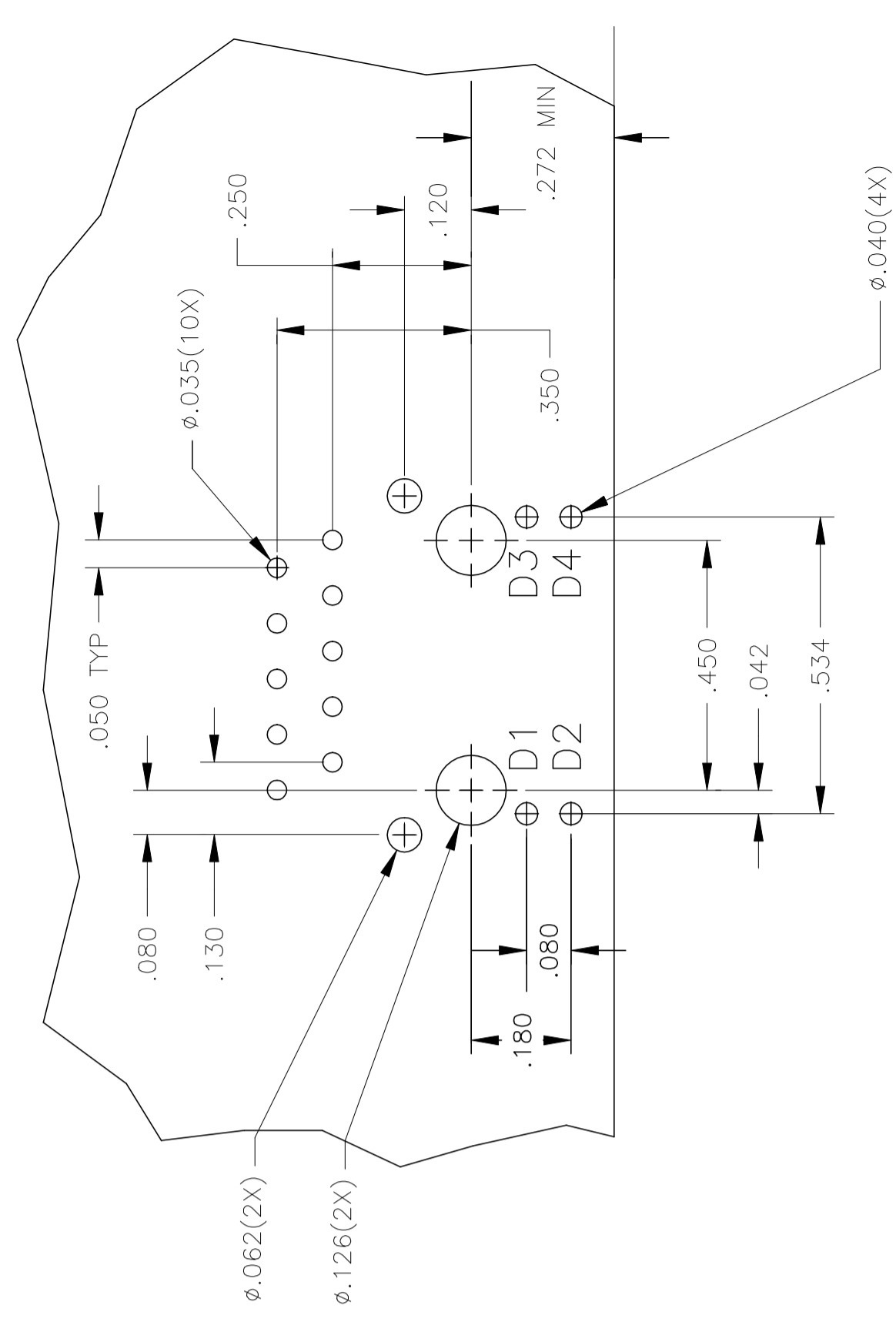
C1=1000 pF, 2kV CAPACITOR
 R1-R4 = 75 OHMS, 1/16 W RESISTORS
 C2-C5 = 0.1 uF, 50V, X7R CAPACITORS



Suggested PCB Layout (Component Side)



Pin Designations



Mouser Electronics

Authorized Distributor

Click to View Pricing, Inventory, Delivery & Lifecycle Information:

Bel:

[6605814-5](#) [1-6605814-3](#) [1-6605814-1](#)

Looking for pricing, stock, or lifecycle information?

Click below to explore more details on WIN SOURCE:

- [View 6605814-5 on WIN SOURCE](#)
- [TRP Connector B.V. Information](#)

Optimize Your Supply Chain with WIN SOURCE Solutions

- ✓ Global Sourcing Solution
- ✓ Obsolete Management
- ✓ Cost Control Management
- ✓ Shortage Management
- ✓ Alternative Solution
- ✓ Excess Inventory Management