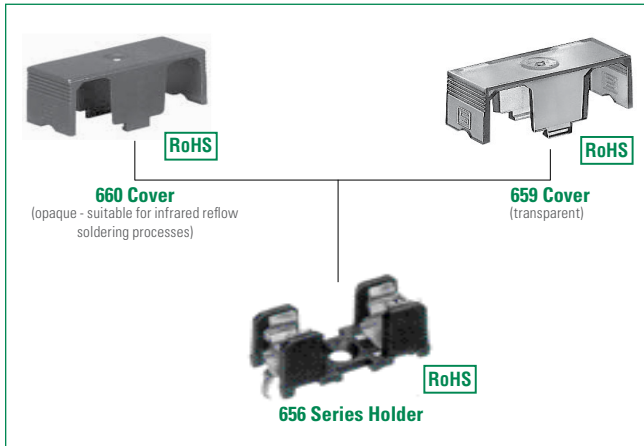




THE DATASHEET OF
65600001409



656 Series Molded Base PC Mount Fuse Block For 5x20mm Fuses



Agency Approval

| Agency | Agency File Number |
|--------|--------------------|
| | 40001499 |
| | E70164 |

Additional Information



Datasheet

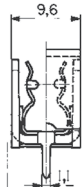
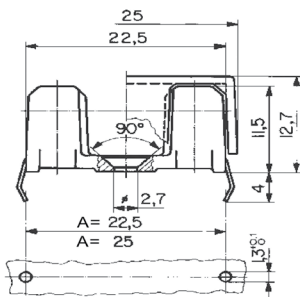


Resources



Samples

Dimensions



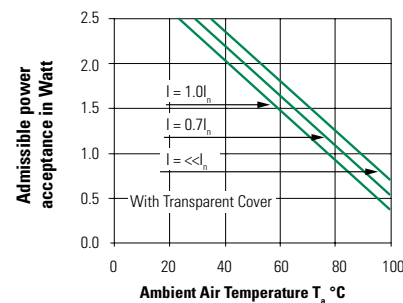
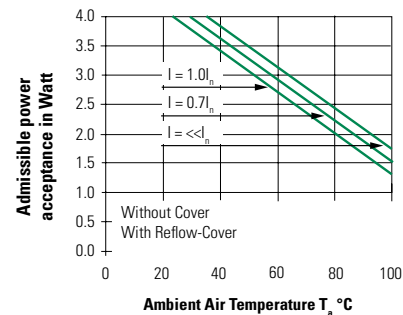
Max. dimension for removal of cover
Dimensions in Millimeters

Product Characteristics

| | |
|----------------------------------|--|
| Compatible Fuse Size | 5x20mm |
| Materials | Holder: Black Thermoplastic UL94 V-0 Metal Parts: Tin plated copper alloy |
| Electrical Data | Rated Voltage: VDE 250 VAC UL 500 VAC/DC Rated Current: 16 A (UL)/10 A (VDE) Rated Power Acceptance (at ambient air temp 23 °C): - 4 W without cover - 4 W with 660 cover - 2.5 W with 659 cover |
| Mounting | 656: Solder pins 0.4mmx1.1mm Ø 2.7mm screw hole may be used optionally |
| Operating Temperature | -40 °C to +85 °C |
| Climatic Category | 40/085/21 according to IEC 60068-1 |
| Stock Conditions | 0 °C to 60 °C, at max. 70% relative humidity |
| Vibration Resistance | According to IEC 60068-2-6, Test Fc |
| Contact Resistance | <5 mΩ |
| Dielectric Strength | > 3 kV, 50 Hz, 1 min. |
| Impulse withstand Voltage | > 4 kV between life parts |
| Insulation Resistance | (500 V DC/1 min): >10 MΩ between live parts of different potentials |
| Solderability | 245 °C/3 sec. according to IEC 60068-2-20, Test Ta, method 1 |
| Soldering Heat Resistance | 260 °C/10 sec. according to IEC 60068-2-20, test Tb method 1 |
| Minimum Cross Section | Conducting path - 0.2 mm ² |
| Torque/fixing screw | Max. 0.3 Nm |

Note: If used with covers, refer to [Fuseology](#) for information on proper fuse block re-rating.

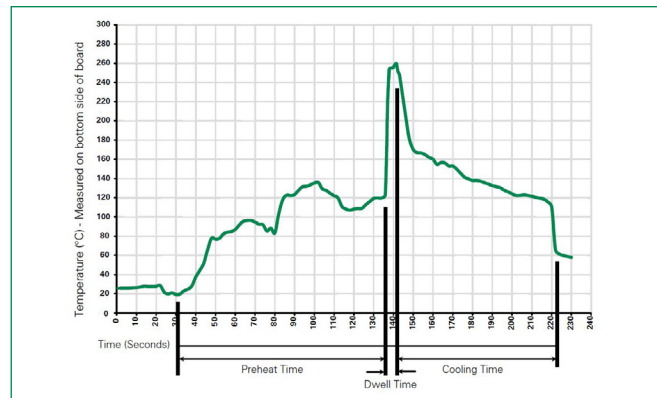
Re-rating Curves



Soldering Parameters—Wave Soldering

| Wave Parameter | Lead-Free Recommendation |
|---|-----------------------------------|
| Preheat: (Depends on Flex Activation Temperature) | (Typical Industry Recommendation) |
| Temperature Minimum | 100 °C |
| Temperature Maximum | 150 °C |
| Preheat Time | 60–180 seconds |
| Solder Pot Temperature | 260 °C Maximum |
| Solder Dwell Time | 2–5 seconds |

Recommended Hand-Solder Parameters:
 Solder Iron Temperature: 350 °C +/- 5 °C
 Heating Time: 5 seconds max.



Ordering Information

| Part Number | Description | Packaging |
|--------------------|---|---------------------|
| 65600001009 | Fuse Block - "A" dimension 22.5mm | Bulk Pack (100 Pcs) |
| 65600001409 | Fuse Block - "A" dimension 25mm | Bulk Pack (100 Pcs) |
| 65900000009 | Fuse Holder Cover - Transparent plastic | Bulk Pack (100 Pcs) |
| 66000001009 | Fuse Holder Cover - Opaque plastic, suitable for infrared (IR) reflow soldering process | Bulk Pack (100 Pcs) |

Looking for pricing, stock, or lifecycle information?

Click below to explore more details on WIN SOURCE:

 [View 65600001409 on WIN SOURCE](#)

 [Littelfuse Inc. Information](#)

Optimize Your Supply Chain with WIN SOURCE Solutions

-  Global Sourcing Solution
-  Obsolete Management
-  Cost Control Management
-  Shortage Management
-  Alternative Solution
-  Excess Inventory Management